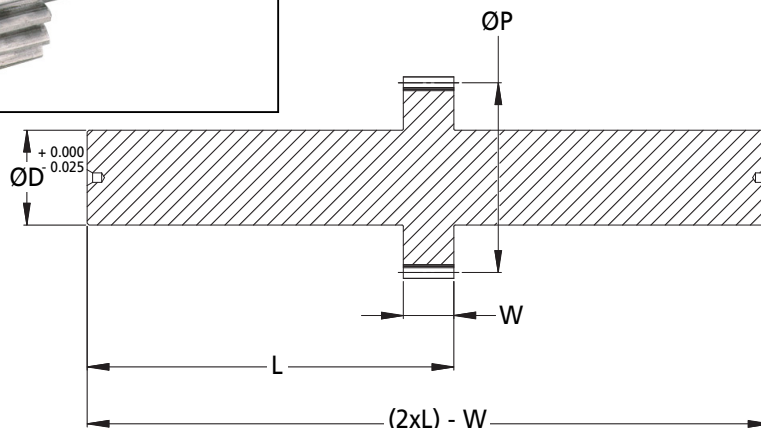
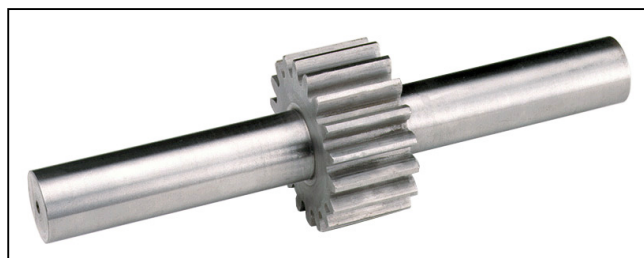


DT

COMMERCIAL GEARS

Straight Cut Pinion Shafts $\alpha 20^\circ$ PA

Steel 214M15


Discounts: 6+ -6% 20+ -25% 40+ -33% 60+ -37% 100+ -42%

Part Number	Module m_n	No. of Teeth Z	Ref. Dia. d	Length L	Face Width W	Shaft Dia. $\varnothing D$	Price Each 1 - 5
DT0.25-15	0.25	15	3.75	20.00	2.50	3.00	£25.47
DT0.25-18	0.25	18	4.50	20.00	2.50	3.00	£27.55
DT0.3-16	0.30	16	4.80	20.00	2.50	3.00	£25.47
DT0.3-20	0.30	20	6.00	20.00	2.50	3.00	£27.55
DT0.4-18	0.40	18	7.20	25.00	3.00	5.00	£26.23
DT0.4-27	0.40	27	10.80	25.00	3.00	5.00	£28.26
DT0.5-16	0.50	16	8.00	25.00	3.00	6.00	£27.49
DT0.5-20	0.50	20	10.00	25.00	3.00	6.00	£28.03
DT0.5-24	0.50	24	12.00	25.00	3.00	6.00	£29.43
DT0.8-15	0.80	15	12.00	32.00	5.00	8.00	£30.67
DT0.8-16	0.80	16	12.80	32.00	5.00	8.00	£32.07
DT0.8-18	0.80	18	14.40	32.00	5.00	8.00	£32.80
DT1-14	1.00	14	14.00	38.00	8.00	10.00	£37.12
DT1-16	1.00	16	16.00	38.00	8.00	10.00	£38.30
DT1-20	1.00	20	20.00	38.00	8.00	10.00	£39.67
DT1.25-12	1.25	12	15.00	50.00	10.00	12.00	£38.45
DT1.25-15	1.25	15	18.75	50.00	10.00	12.00	£39.18
DT1.25-18	1.25	18	22.50	50.00	10.00	12.00	£39.95
DT1.5-13	1.50	13	19.50	76.00	12.00	15.00	£38.96
DT1.5-16	1.50	16	24.00	76.00	12.00	15.00	£39.98
DT1.5-20	1.50	20	30.00	76.00	12.00	15.00	£41.24
DT2-13	2.00	13	26.00	76.00	20.00	20.00	£42.61
DT2-16	2.00	16	32.00	76.00	20.00	20.00	£46.91
DT2-18	2.00	18	36.00	76.00	20.00	20.00	£51.99
DT2.5-12	2.50	12	30.00	100.00	25.00	20.00	£52.83
DT2.5-15	2.50	15	37.50	100.00	25.00	20.00	£56.03
DT2.5-18	2.50	18	45.00	100.00	25.00	20.00	£59.13
DT3-12	3.00	12	36.00	108.00	32.00	22.00	£74.03
DT3-14	3.00	14	42.00	108.00	32.00	22.00	£76.26
DT3-16	3.00	16	48.00	108.00	32.00	22.00	£83.26
DT4-12	4.00	12	48.00	115.00	38.00	30.00	£94.15
DT4-15	4.00	15	60.00	115.00	38.00	30.00	£98.16
DT4-18	4.00	18	72.00	115.00	38.00	30.00	£102.95

Material

Steel 214M15.

Options

Different number of teeth

Other material

Other lengths and diameters

+44 (0)1246 455500

+44 (0)1246 455522

ondrives

sales@ondrives.com

www.ondrives.com

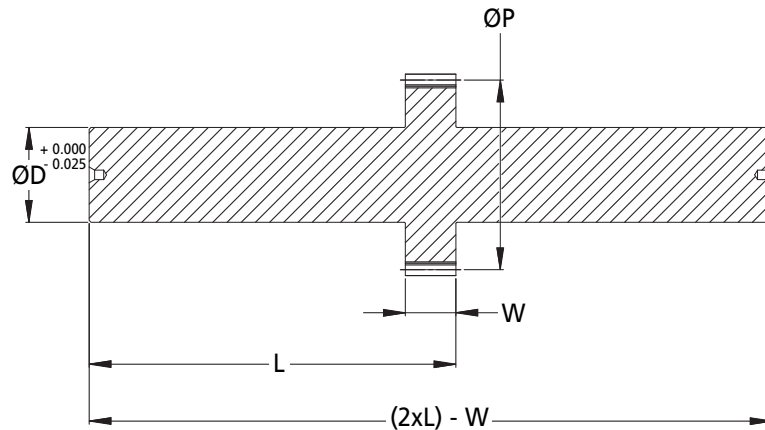
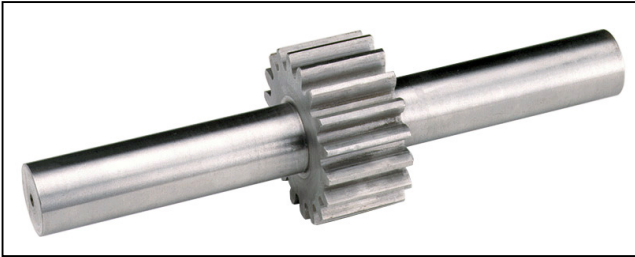
Product information updated 1st April 2011 and subject to change. Please contact Sales for the latest prices and availability.

COMMERCIAL GEARS

DST

Straight Cut Pinion Shafts α 20° PA

Stainless Steel 303



Discounts: 6+ -6% 20+ -25% 40+ -33% 60+ -37% 100+ -42%

Part Number	Module m_n	No. of Teeth Z	Ref. Dia. d	Length L	Face Width W	Shaft Dia. $\varnothing D$	Price Each 1 - 5
DST0.25-15	0.25	15	3.75	20.00	2.50	3.00	£37.84
DST0.25-18	0.25	18	4.50	20.00	2.50	3.00	£38.96
DST0.3-16	0.30	16	4.80	20.00	2.50	3.00	£37.84
DST0.3-20	0.30	20	6.00	20.00	2.50	3.00	£38.96
DST0.4-18	0.40	18	7.20	25.00	3.00	5.00	£39.12
DST0.4-27	0.40	27	10.80	25.00	3.00	5.00	£39.58
DST0.5-16	0.50	16	8.00	25.00	3.00	6.00	£41.14
DST0.5-20	0.50	20	10.00	25.00	3.00	6.00	£42.23
DST0.5-24	0.50	24	12.00	25.00	3.00	6.00	£43.90
DST0.8-15	0.80	15	12.00	32.00	5.00	8.00	£45.78
DST0.8-16	0.80	16	12.80	32.00	5.00	8.00	£45.95
DST0.8-18	0.80	18	14.40	32.00	5.00	8.00	£48.97
DST1-14	1.00	14	14.00	38.00	8.00	10.00	£55.50
DST1-16	1.00	16	16.00	38.00	8.00	10.00	£56.65
DST1-20	1.00	20	20.00	38.00	8.00	10.00	£59.10
DST1.25-12	1.25	12	15.00	50.00	10.00	12.00	£75.20
DST1.25-15	1.25	15	18.75	50.00	10.00	12.00	£76.13
DST1.25-18	1.25	18	22.50	50.00	10.00	12.00	£82.76
DST1.5-13	1.50	13	19.50	76.00	12.00	15.00	£88.32
DST1.5-16	1.50	16	24.00	76.00	12.00	15.00	£89.54
DST1.5-20	1.50	20	30.00	76.00	12.00	15.00	£91.26
DST2-13	2.00	13	26.00	76.00	20.00	20.00	£93.37
DST2-16	2.00	16	32.00	76.00	20.00	20.00	£99.69
DST2-18	2.00	18	36.00	76.00	20.00	20.00	£107.31

Material

Stainless Steel 303.

Options

Different number of teeth
Other material
Other lengths and diameters

+44 (0)1246 455500
+44 (0)1246 455522

ondrives

sales@ondrives.com
www.ondrives.com

Product information updated 1st April 2011 and subject to change. Please contact Sales for the latest prices and availability.