

IN ZIN
0.4m_n

COMMERCIAL GEARS

0.4 Module Internal Spur Gear α 20° PA

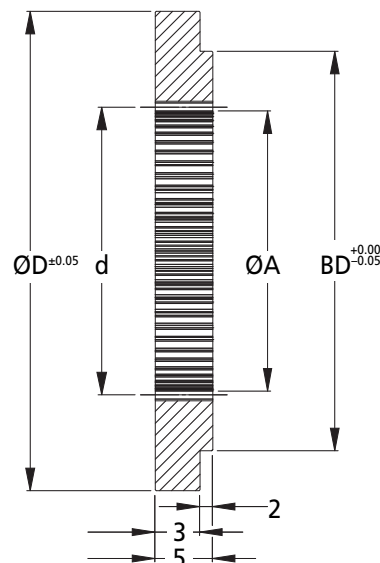
Quality Grade 9 ISO 1328



IN: Steel



ZIN: Delrin



Discounts IN: 6+ -12% 20+ -25% 40+ -33% 60+ -37%

Discounts ZIN: 6+ -22% 30+ -44% 100+ -47%

Part Number		No. of Teeth z	Ref. Dia. d	Internal Dia. ØA	Overall Dia. ØD±0.05	Hub Dia. BD	Price Each 1 - 5	
IN	ZIN						IN	ZIN
IN0.4-70	ZIN0.4-70	70	28.00	27.20	50.00	45.00	£22.81	£16.41
IN0.4-80	ZIN0.4-80	80	32.00	31.20	50.00	45.00	£29.13	£20.97
IN0.4-100	ZIN0.4-100	100	40.00	39.20	60.00	55.00	£34.42	£24.78
IN0.4-200	ZIN0.4-200	200	80.00	79.20	125.00	100.00	£58.36	£41.98
IN0.4-400	ZIN0.4-400	400	160.00	159.20	225.00	200.00	£22.81	£P.O.A

Material

IN: Steel 214M15. ZIN: Delrin.

Accessories

Straight cut spur gears of the same size eg. G0.4..., ZG0.4...

Options

Different number of teeth. Other material.

+44 (0)1246 455500
+44 (0)1246 455522

ondrives

sales@ondrives.com
www.ondrives.com

Product information updated 1st April 2011 and subject to change. Please contact Sales for the latest prices and availability.

COMMERCIAL GEARS

IN ZIN
0.5m_n

0.5 Module Internal Spur Gear α 20° PA

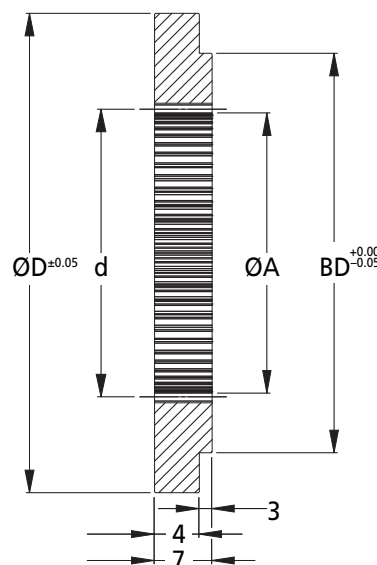
Quality Grade 9 ISO 1328



IN: Steel



ZIN: Delrin



Discounts IN: 6+ -12% | 20+ -25% | 40+ -33% | 60+ -37%

Discounts ZIN: 6+ -22% | 30+ -44% | 100+ -47%

Part Number		No. of Teeth z	Ref. Dia. d	Internal Dia. ØA	Overall Dia. ØD ^{+0.05}	Hub Dia. BD	Price Each 1 - 5	
IN	ZIN						IN	ZIN
IN0.5-60	ZIN0.5-60	60	30.00	29.00	60.00	55.00	£24.12	£17.56
IN0.5-61	ZIN0.5-61	61	30.50	29.50	60.00	55.00	£25.44	£18.28
IN0.5-62	ZIN0.5-62	62	31.00	30.00	60.00	55.00	£26.35	£18.93
IN0.5-63	ZIN0.5-63	63	31.50	30.50	60.00	55.00	£27.26	£19.61
IN0.5-64	ZIN0.5-64	64	32.00	31.00	60.00	55.00	£28.22	£20.29
IN0.5-65	ZIN0.5-65	65	32.50	31.50	60.00	55.00	£29.16	£20.97
IN0.5-68	ZIN0.5-68	68	34.00	33.00	60.00	55.00	£30.13	£21.66
IN0.5-70	ZIN0.5-70	70	35.00	34.00	60.00	55.00	£30.72	£22.12
IN0.5-72	ZIN0.5-72	72	36.00	35.00	60.00	55.00	£32.00	£23.07
IN0.5-75	ZIN0.5-75	75	37.50	36.50	75.00	70.00	£32.86	£23.64
IN0.5-77	ZIN0.5-77	77	38.50	37.50	75.00	70.00	£34.00	£24.43
IN0.5-80	ZIN0.5-80	80	40.00	39.00	75.00	70.00	£34.75	£24.99
IN0.5-84	ZIN0.5-84	84	42.00	41.00	75.00	70.00	£36.31	£26.11
IN0.5-86	ZIN0.5-86	86	43.00	42.00	75.00	70.00	£37.51	£26.99
IN0.5-88	ZIN0.5-88	88	44.00	43.00	75.00	70.00	£38.70	£27.87
IN0.5-90	ZIN0.5-90	90	45.00	44.00	75.00	70.00	£39.88	£28.66
IN0.5-96	ZIN0.5-96	96	48.00	47.00	75.00	70.00	£41.00	£29.53
IN0.5-100	ZIN0.5-100	100	50.00	49.00	75.00	70.00	£41.66	£29.99
IN0.5-105	ZIN0.5-105	105	52.50	51.50	100.00	94.00	£43.58	£31.30
IN0.5-110	ZIN0.5-110	110	55.00	54.00	100.00	94.00	£44.18	£31.77
IN0.5-115	ZIN0.5-115	115	57.50	56.50	100.00	94.00	£44.88	£32.28
IN0.5-120	ZIN0.5-120	120	60.00	59.00	100.00	94.00	£45.53	£32.73
IN0.5-125	ZIN0.5-125	125	62.50	61.50	100.00	94.00	£46.22	£33.22
IN0.5-130	ZIN0.5-130	130	65.00	64.00	100.00	94.00	£46.89	£33.69
IN0.5-135	ZIN0.5-135	135	67.50	66.50	100.00	94.00	£47.55	£33.83
IN0.5-140	ZIN0.5-140	140	70.00	69.00	100.00	94.00	£48.21	£34.20
IN0.5-150	ZIN0.5-150	150	75.00	74.00	100.00	94.00	£48.95	£34.68
IN0.5-200	ZIN0.5-200	200	100.00	99.00	150.00	125.00	£64.31	£46.30
IN0.5-250	ZIN0.5-250	250	125.00	124.00	175.00	150.00	£73.46	£52.87
IN0.5-300	ZIN0.5-300	300	150.00	149.00	200.00	175.00	£97.77	£70.38
IN0.5-400	ZIN0.5-400	400	200.00	199.00	250.00	225.00	£130.03	£93.58

Material

IN: Steel 214M15. ZIN: Delrin.

Accessories

Straight cut spur gears of the same size eg. G0.5..., ZG0.5...

Options

Different number of teeth. Other material.

+44 (0)1246 455500
+44 (0)1246 455522

ondrives

sales@ondrives.com
www.ondrives.com

Product information updated 1st April 2011 and subject to change. Please contact Sales for the latest prices and availability.

IN ZIN
0.8m_n

COMMERCIAL GEARS

0.8 Module Internal Spur Gear α 20° PA

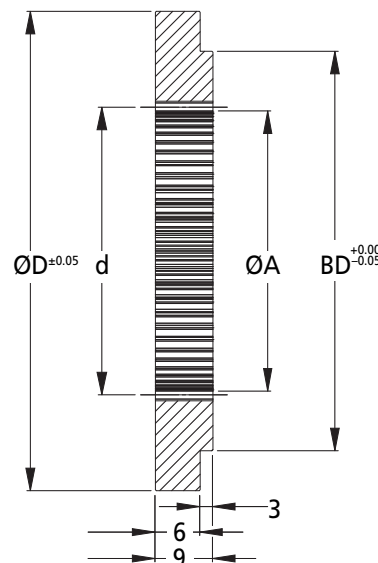
Quality Grade 9 ISO 1328



IN: Steel



ZIN: Delrin



Discounts IN: 6+ -12% | 20+ -25% | 40+ -33% | 60+ -37%

Discounts ZIN: 6+ -22% | 30+ -44% | 100+ -47%

Part Number		No. of Teeth z	Ref. Dia. d	Internal Dia. ØA	Overall Dia. ØD±0.05	Hub Dia. BD	Price Each 1 - 5	
IN	ZIN						IN	ZIN
IN0.8-40	ZIN0.8-40	40	32.00	30.40	60.00	55.00	£26.82	£19.30
IN0.8-41	ZIN0.8-41	41	32.80	31.20	60.00	55.00	£28.43	£20.42
IN0.8-42	ZIN0.8-42	42	33.60	32.00	60.00	55.00	£29.62	£21.30
IN0.8-45	ZIN0.8-45	45	36.00	34.40	60.00	55.00	£30.88	£22.18
IN0.8-48	ZIN0.8-48	48	38.40	36.80	60.00	55.00	£32.06	£23.07
IN0.8-50	ZIN0.8-50	50	40.00	38.40	60.00	55.00	£33.30	£23.97
IN0.8-54	ZIN0.8-54	54	43.20	41.60	60.00	55.00	£34.56	£24.81
IN0.8-57	ZIN0.8-57	57	45.60	44.00	75.00	70.00	£35.68	£25.63
IN0.8-60	ZIN0.8-60	60	48.00	46.40	75.00	70.00	£36.43	£26.21
IN0.8-63	ZIN0.8-63	63	50.40	48.80	75.00	70.00	£38.17	£27.42
IN0.8-66	ZIN0.8-66	66	52.80	51.20	75.00	70.00	£39.35	£28.32
IN0.8-69	ZIN0.8-69	69	56.00	53.60	75.00	70.00	£40.61	£29.21
IN0.8-72	ZIN0.8-72	72	57.60	56.00	75.00	70.00	£41.76	£30.06
IN0.8-75	ZIN0.8-75	75	60.00	58.40	75.00	70.00	£43.03	£30.94
IN0.8-78	ZIN0.8-78	78	62.40	60.80	100.00	94.00	£44.29	£31.85
IN0.8-80	ZIN0.8-80	80	64.00	62.40	100.00	94.00	£44.99	£32.34
IN0.8-84	ZIN0.8-84	84	67.20	65.60	100.00	94.00	£45.73	£32.88
IN0.8-88	ZIN0.8-88	88	70.40	68.80	100.00	94.00	£46.37	£33.40
IN0.8-90	ZIN0.8-90	90	72.00	70.40	100.00	94.00	£47.16	£33.92
IN0.8-92	ZIN0.8-92	92	73.60	72.00	100.00	94.00	£47.86	£34.40
IN0.8-94	ZIN0.8-94	94	75.20	73.60	100.00	94.00	£48.55	£34.93
IN0.8-98	ZIN0.8-98	98	78.40	76.80	100.00	94.00	£49.30	£35.54
IN0.8-100	ZIN0.8-100	100	80.00	78.40	100.00	94.00	£49.42	£35.56
IN0.8-103	ZIN0.8-103	103	81.60	80.00	100.00	94.00	£50.77	£36.58
IN0.8-106	ZIN0.8-106	106	84.60	83.20	100.00	94.00	£51.51	£37.03
IN0.8-108	ZIN0.8-108	108	86.40	84.80	100.00	94.00	£52.20	£37.54
IN0.8-110	ZIN0.8-110	110	88.00	86.40	100.00	94.00	£53.20	£38.23
IN0.8-120	ZIN0.8-120	120	96.00	94.40	150.00	125.00	£70.74	£50.89
IN0.8-150	ZIN0.8-150	150	120.00	118.40	175.00	150.00	£79.77	£57.41
IN0.8-200	ZIN0.8-200	200	160.00	158.40	200.00	175.00	£106.38	£76.60
IN0.8-250	ZIN0.8-250	250	200.00	198.40	250.00	225.00	£141.55	£101.86

Material

IN: Steel 214M15. ZIN: Delrin.

Accessories

Straight cut spur gears of the same size eg. G0.8..., ZG0.8...

Options

Different number of teeth. Other material.

+44 (0)1246 455500

+44 (0)1246 455522

ondrives

sales@ondrives.com

www.ondrives.com

Product information updated 1st April 2011 and subject to change. Please contact Sales for the latest prices and availability.

COMMERCIAL GEARS

IN ZIN
1.0m_n

1.0 Module Internal Spur Gear α 20° PA

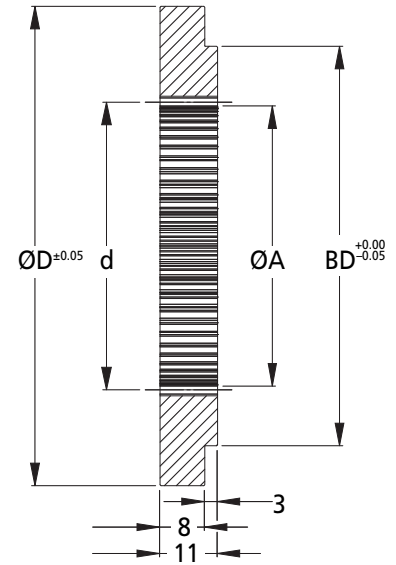
Quality Grade 9 ISO 1328



IN: Steel



ZIN: Delrin



Discounts IN: 6+ -12% | 20+ -25% | 40+ -33% | 60+ -37%

Discounts ZIN: 6+ -22% | 30+ -44% | 100+ -47%

Part Number		No. of Teeth z	Ref. Dia. d	Internal Dia. ØA	Overall Dia. ØD ^{±0.05}	Hub Dia. BD	Price Each 1 - 5	
IN	ZIN						IN	ZIN
IN1-36	ZIN1-36	36	36.00	34.00	75.00	70.00	£42.23	£30.38
IN1-38	ZIN1-38	38	38.00	36.00	75.00	70.00	£42.67	£30.71
IN1-40	ZIN1-40	40	40.00	38.00	75.00	70.00	£42.52	£30.60
IN1-42	ZIN1-42	42	42.00	40.00	75.00	70.00	£43.36	£31.23
IN1-44	ZIN1-44	44	44.00	42.00	75.00	70.00	£43.81	£31.54
IN1-46	ZIN1-46	46	46.00	44.00	75.00	70.00	£44.18	£31.77
IN1-48	ZIN1-48	48	48.00	46.00	75.00	70.00	£44.59	£32.07
IN1-50	ZIN1-50	50	50.00	48.00	75.00	70.00	£44.99	£32.34
IN1-52	ZIN1-52	52	52.00	50.00	75.00	70.00	£45.37	£32.66
IN1-54	ZIN1-54	54	54.00	52.00	75.00	70.00	£45.80	£32.92
IN1-55	ZIN1-55	55	55.00	53.00	75.00	70.00	£46.17	£33.21
IN1-57	ZIN1-57	57	57.00	55.00	75.00	70.00	£46.54	£33.47
IN1-58	ZIN1-58	58	58.00	56.00	100.00	94.00	£47.05	£33.89
IN1-60	ZIN1-60	60	60.00	58.00	100.00	94.00	£47.07	£33.88
IN1-62	ZIN1-62	62	62.00	60.00	100.00	94.00	£48.21	£34.68
IN1-64	ZIN1-64	64	64.00	62.00	100.00	94.00	£48.69	£35.12
IN1-65	ZIN1-65	65	65.00	63.00	100.00	94.00	£49.30	£35.54
IN1-66	ZIN1-66	66	66.00	64.00	100.00	94.00	£49.92	£35.88
IN1-68	ZIN1-68	68	68.00	66.00	100.00	94.00	£50.46	£36.30
IN1-70	ZIN1-70	70	70.00	68.00	100.00	94.00	£50.98	£36.70
IN1-72	ZIN1-72	72	72.00	70.00	100.00	94.00	£51.53	£37.07
IN1-74	ZIN1-74	74	74.00	72.00	100.00	94.00	£52.11	£37.49
IN1-75	ZIN1-75	75	75.00	73.00	100.00	94.00	£52.67	£37.89
IN1-76	ZIN1-76	76	76.00	74.00	100.00	94.00	£53.22	£38.29
IN1-78	ZIN1-78	78	78.00	76.00	100.00	94.00	£53.82	£38.22
IN1-80	ZIN1-80	80	80.00	78.00	100.00	94.00	£54.49	£39.24
IN1-90	ZIN1-90	90	90.00	88.00	150.00	125.00	£72.51	£52.17
IN1-100	ZIN1-100	100	100.00	98.00	150.00	125.00	£80.76	£58.15
IN1-120	ZIN1-120	120	120.00	118.00	175.00	150.00	£90.49	£65.17
IN1-150	ZIN1-150	150	150.00	148.00	200.00	175.00	£109.09	£78.51
IN1-180	ZIN1-180	180	180.00	178.00	225.00	200.00	£122.71	£88.35
IN1-200	ZIN1-200	200	200.00	198.00	250.00	225.00	£163.21	£117.52

Material

IN: Steel 214M15. ZIN: Delrin.

Accessories

Straight cut spur gears of the same size eg. G1..., ZG1...

Options

Different number of teeth. Other material.

+44 (0)1246 455500

+44 (0)1246 455522

ondrives

sales@ondrives.com

www.ondrives.com

Product information updated 1st April 2011 and subject to change. Please contact Sales for the latest prices and availability.

IN ZIN
1.25m_n

COMMERCIAL GEARS

1.25 Module Internal Spur Gear α 20° PA

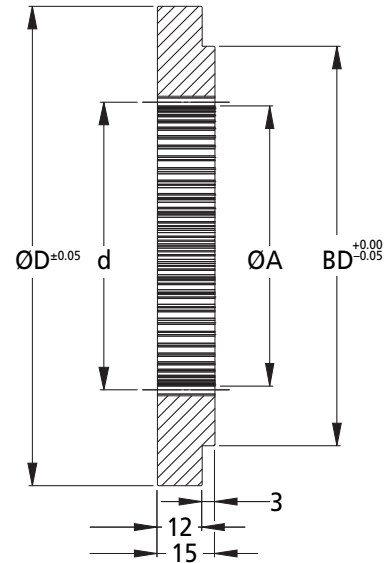
Quality Grade 9 ISO 1328



IN: Steel



ZIN: Delrin



Discounts IN: 6+ -12% | 20+ -25% | 40+ -33% | 60+ -37%

Discounts ZIN: 6+ -22% | 30+ -44% | 100+ -47%

Part Number		No. of Teeth z	Ref. Dia. d	Internal Dia. ØA	Overall Dia. ØD±0.05	Hub Dia. BD	Price Each 1 - 5	
IN	ZIN						IN	ZIN
IN1.25-40	ZIN1.25-40	40	50.00	47.50	75.00	70.00	£42.88	£30.88
IN1.25-41	ZIN1.25-41	41	51.25	48.75	75.00	70.00	£43.82	£31.56
IN1.25-42	ZIN1.25-42	42	52.50	50.00	75.00	70.00	£44.31	£31.90
IN1.25-43	ZIN1.25-43	43	53.75	51.25	75.00	70.00	£44.74	£32.21
IN1.25-44	ZIN1.25-44	44	55.00	52.50	75.00	70.00	£45.21	£32.56
IN1.25-45	ZIN1.25-45	45	56.25	53.75	75.00	70.00	£45.69	£32.90
IN1.25-46	ZIN1.25-46	46	57.50	55.00	75.00	70.00	£46.07	£33.18
IN1.25-47	ZIN1.25-47	47	58.75	56.25	75.00	70.00	£46.54	£33.51
IN1.25-48	ZIN1.25-48	48	60.00	57.50	100.00	94.00	£47.06	£33.89
IN1.25-49	ZIN1.25-49	49	61.25	58.75	100.00	94.00	£47.47	£34.18
IN1.25-50	ZIN1.25-50	50	62.50	60.00	100.00	94.00	£47.88	£34.48
IN1.25-51	ZIN1.25-51	51	63.75	61.75	100.00	94.00	£48.25	£34.75
IN1.25-52	ZIN1.25-52	52	65.00	62.50	100.00	94.00	£48.64	£35.02
IN1.25-53	ZIN1.25-53	53	66.25	63.75	100.00	94.00	£49.05	£35.32
IN1.25-54	ZIN1.25-54	54	67.50	65.00	100.00	94.00	£49.40	£35.57
IN1.25-55	ZIN1.25-55	55	68.75	66.25	100.00	94.00	£49.83	£35.88
IN1.25-56	ZIN1.25-56	56	70.00	67.50	100.00	94.00	£50.20	£36.15
IN1.25-57	ZIN1.25-57	57	71.25	68.75	100.00	94.00	£50.61	£36.44
IN1.25-58	ZIN1.25-58	58	72.50	70.00	100.00	94.00	£50.98	£36.71
IN1.25-59	ZIN1.25-59	59	73.75	71.25	100.00	94.00	£51.35	£36.98
IN1.25-60	ZIN1.25-60	60	75.00	72.50	100.00	94.00	£51.10	£36.81
IN1.25-62	ZIN1.25-62	62	77.50	75.00	100.00	94.00	£52.17	£37.56
IN1.25-64	ZIN1.25-64	64	80.00	77.50	100.00	94.00	£52.34	£37.72
IN1.25-65	ZIN1.25-65	65	81.25	78.75	100.00	94.00	£52.60	£37.88
IN1.25-66	ZIN1.25-66	66	82.50	80.00	100.00	94.00	£52.92	£38.10
IN1.25-68	ZIN1.25-68	68	85.00	82.50	100.00	94.00	£53.31	£38.39
IN1.25-70	ZIN1.25-70	70	87.50	85.00	100.00	94.00	£53.78	£38.72
IN1.25-80	ZIN1.25-80	80	100.00	97.50	150.00	125.00	£81.77	£58.88
IN1.25-100	ZIN1.25-100	100	125.00	122.50	175.00	150.00	£89.39	£64.37
IN1.25-120	ZIN1.25-120	120	150.00	147.50	200.00	175.00	£109.08	£78.55
IN1.25-150	ZIN1.25-150	150	187.50	185.00	225.00	200.00	£122.71	£88.36
IN1.25-160	ZIN1.25-160	160	200.00	197.50	250.00	225.00	£163.21	£117.54

Material

IN: Steel 214M15. ZIN: Delrin.

Accessories

Straight cut spur gears of the same size eg. G1.25..., ZG1.25...

Options

Different number of teeth. Other material.

+44 (0)1246 455500

+44 (0)1246 455522

ondrives

sales@ondrives.com

www.ondrives.com

Product information updated 1st April 2011 and subject to change. Please contact Sales for the latest prices and availability.

COMMERCIAL GEARS

IN ZIN
1.5m_n

1.5 Module Internal Spur Gear α 20° PA

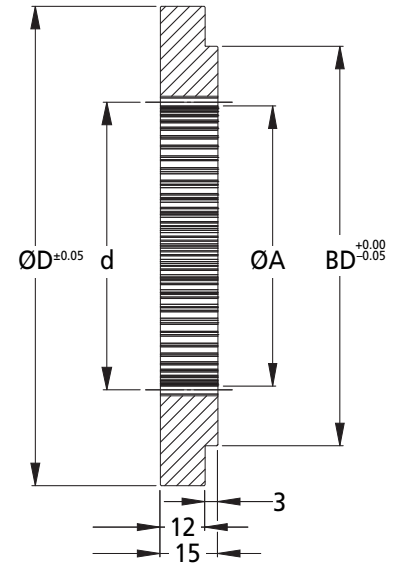
Quality Grade 9 ISO 1328



IN: Steel



ZIN: Delrin



Discounts IN: 6+ -12% | 20+ -25% | 40+ -33% | 60+ -37%

Discounts ZIN: 6+ -22% | 30+ -44% | 100+ -47%

Part Number		No. of Teeth <i>z</i>	Ref. Dia. <i>d</i>	Internal Dia. <i>ØA</i>	Overall Dia. <i>ØD</i> ^{±0.05}	Hub Dia. <i>BD</i>	Price Each 1 - 5	
IN	ZIN						IN	ZIN
IN1.5-35	ZIN1.5-35	35	52.50	49.50	100.00	94.00	£49.09	£35.34
IN1.5-36	ZIN1.5-36	36	54.00	51.00	100.00	94.00	£49.78	£35.81
IN1.5-37	ZIN1.5-37	37	55.50	52.50	100.00	94.00	£50.42	£36.29
IN1.5-38	ZIN1.5-38	38	57.00	54.00	100.00	94.00	£51.10	£36.73
IN1.5-39	ZIN1.5-39	39	58.50	55.50	100.00	94.00	£51.74	£37.26
IN1.5-40	ZIN1.5-40	40	60.00	57.00	100.00	94.00	£52.35	£37.66
IN1.5-41	ZIN1.5-41	41	61.50	58.50	100.00	94.00	£53.06	£38.17
IN1.5-42	ZIN1.5-42	42	63.00	60.00	100.00	94.00	£53.69	£38.64
IN1.5-43	ZIN1.5-43	43	64.50	61.50	100.00	94.00	£54.40	£39.15
IN1.5-44	ZIN1.5-44	44	66.00	63.00	100.00	94.00	£55.07	£39.60
IN1.5-45	ZIN1.5-45	45	67.50	64.50	100.00	94.00	£55.71	£40.09
IN1.5-46	ZIN1.5-46	46	69.00	66.00	100.00	94.00	£56.34	£40.55
IN1.5-47	ZIN1.5-47	47	70.50	67.50	100.00	94.00	£57.02	£41.06
IN1.5-48	ZIN1.5-48	48	72.00	69.00	100.00	94.00	£57.66	£41.49
IN1.5-49	ZIN1.5-49	49	73.50	70.50	100.00	94.00	£58.35	£42.03
IN1.5-50	ZIN1.5-50	50	75.00	72.00	100.00	94.00	£59.07	£42.45
IN1.5-51	ZIN1.5-51	51	76.50	73.50	100.00	94.00	£59.66	£42.89
IN1.5-52	ZIN1.5-52	52	78.00	75.00	100.00	94.00	£60.28	£43.40
IN1.5-53	ZIN1.5-53	53	79.50	76.50	100.00	94.00	£60.90	£43.84
IN1.5-54	ZIN1.5-54	54	81.00	78.00	100.00	94.00	£61.36	£44.14
IN1.5-60	ZIN1.5-60	60	90.00	87.00	150.00	125.00	£81.53	£58.64
IN1.5-65	ZIN1.5-65	65	97.50	94.50	150.00	125.00	£92.09	£66.24
IN1.5-70	ZIN1.5-70	70	105.00	102.00	150.00	125.00	£101.32	£72.87
IN1.5-80	ZIN1.5-80	80	120.00	117.00	175.00	150.00	£107.44	£77.28
IN1.5-90	ZIN1.5-90	90	135.00	132.00	200.00	175.00	£122.86	£88.36
IN1.5-100	ZIN1.5-100	100	150.00	147.00	200.00	175.00	£137.98	£97.12
IN1.5-120	ZIN1.5-120	120	180.00	177.00	250.00	200.00	£142.47	£103.79

Material

IN: Steel 214M15. ZIN: Delrin.

Accessories

Straight cut spur gears of the same size eg. G1.5..., ZG1.5...

Options

Different number of teeth. Other material.

+44 (0)1246 455500

+44 (0)1246 455522

ondrives

sales@ondrives.com

www.ondrives.com

Product information updated 1st April 2011 and subject to change. Please contact Sales for the latest prices and availability.