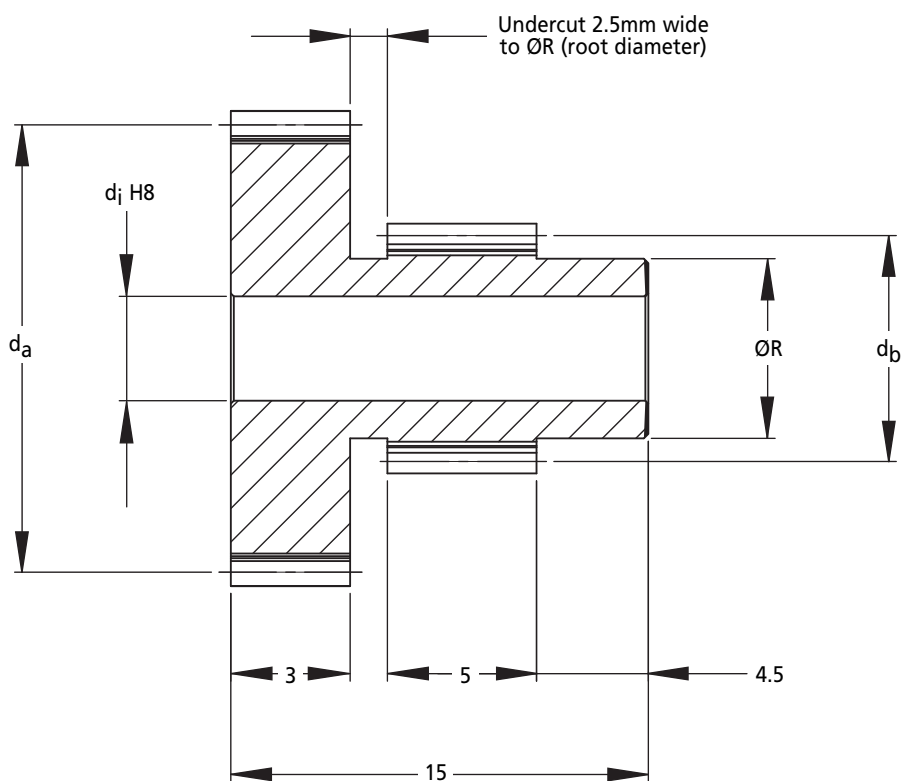
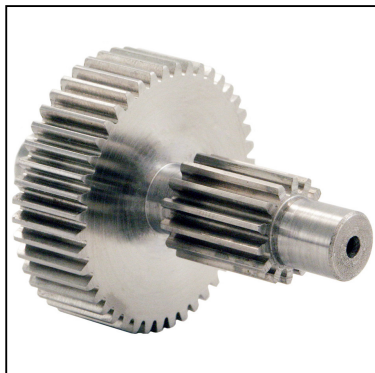


DG
0.4m_n

COMMERCIAL GEARS

0.4 Module Double Spur Gear α 20° PA

Quality Grade 9 ISO 1328



Discounts: 6+ -12% 20+ -25% 40+ -33% 60+ -37% 100+ -42%

Part Number	No. of Teeth Z_a	Ref. Dia. d_a	No. of Teeth Z_b	Ref. Dia. d_b	Bore H8 d_j	Root Dia. $\text{Ø}R$	Price Each 1 - 5
DG0.4-16/32	16	6.80	32	12.80	3.00	5.13	£27.11
DG0.4-16/48	16	6.80	48	19.20	3.00	5.13	£28.72
DG0.4-16/80	16	6.80	80	32.00	3.00	5.13	£29.87
DG0.4-20/30	20	8.00	30	12.00	4.00	6.43	£28.72

Material

Stainless Steel 303

Options

Different number of teeth
Other materials
Bore modifications

+44 (0)1246 455500
+44 (0)1246 455522

ondrives

sales@ondrives.com
www.ondrives.com

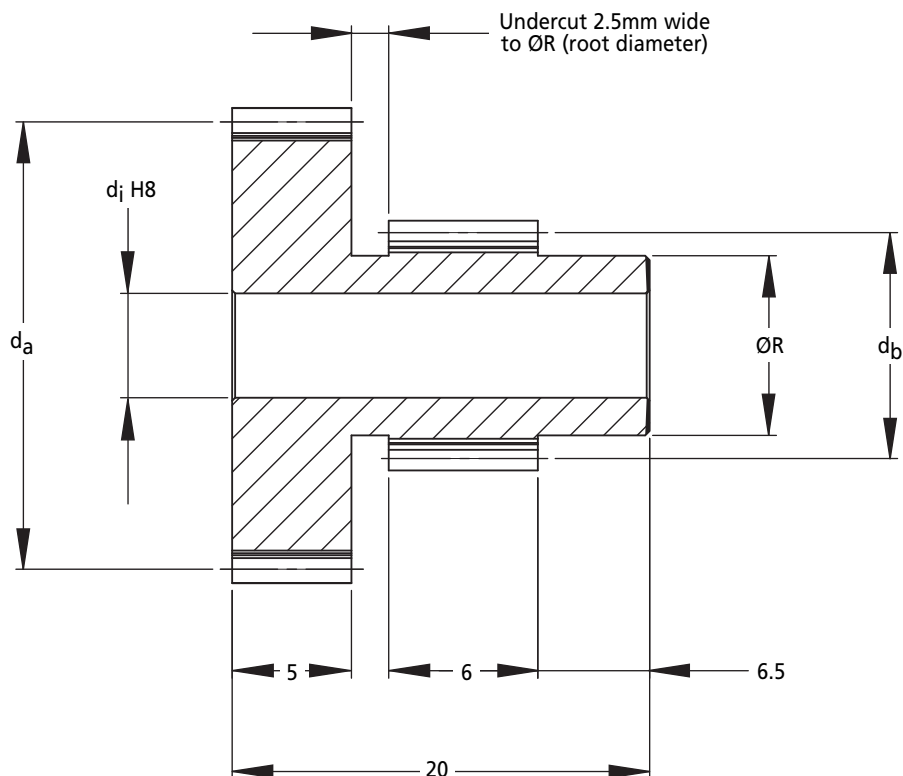
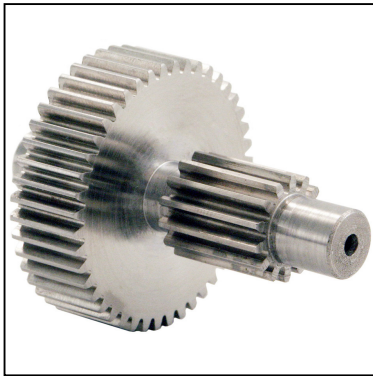
Product information updated 1st April 2011 and subject to change. Please contact Sales for the latest prices and availability.

COMMERCIAL GEARS

0.5 Module Double Spur Gear α 20° PA

Quality Grade 9 ISO 1328

DG
0.5m_n



Discounts: 6+ -12% 20+ -25% 40+ -33% 60+ -37% 100+ -42%

Part Number	No. of Teeth Z_a	Ref. Dia. d_a	No. of Teeth Z_b	Ref. Dia. d_b	Bore H8 d_j	Root Dia. $\varnothing R$	Price Each 1 - 5
DG0.5-16/48	16	8.5	48	24	4	6.45	£32.85
DG0.5-16/60	16	8.5	60	30	4	6.45	£33.65
DG0.5-16/72	16	8.5	72	36	4	6.45	£34.29
DG0.5-16/96	16	8.5	96	48	4	6.45	£34.86
DG0.5-16/120	16	8.5	120	60	4	6.45	£35.83
DG0.5-16/144	16	8.5	144	72	4	6.45	£36.58
DG0.5-24/60	24	12.0	60	30	6	10.45	£33.26
DG0.5-24/72	24	12.0	72	36	6	10.45	£34.29
DG0.5-24/96	24	12.0	96	48	6	10.45	£34.86
DG0.5-24/120	24	12.0	120	60	6	10.45	£35.83
DG0.5-24/144	24	12.0	144	72	6	10.45	£36.58

Material

Steel 214M15

Options

Different number of teeth
Other materials
Bore modifications

+44 (0)1246 455500
+44 (0)1246 455522

ondrives

sales@ondrives.com
www.ondrives.com

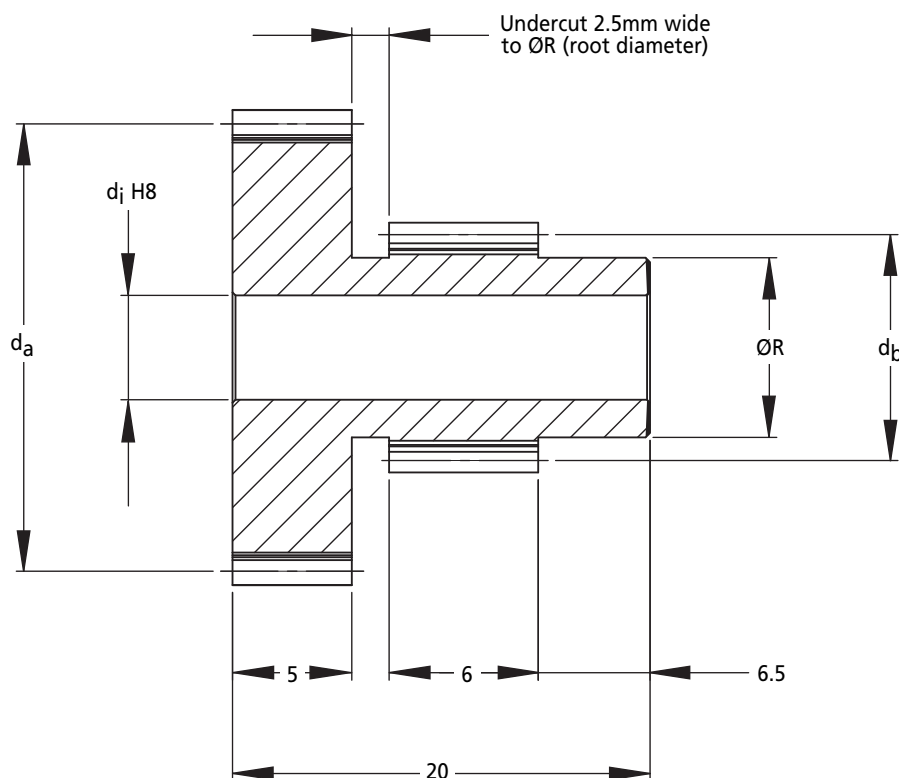
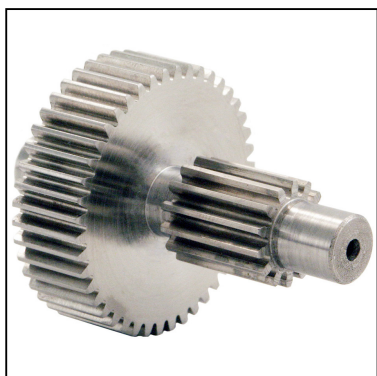
Product information updated 1st April 2011 and subject to change. Please contact Sales for the latest prices and availability.

DG
0.8m_n

COMMERCIAL GEARS

0.8 Module Double Spur Gear α 20° PA

Quality Grade 9 ISO 1328



Discounts: 6+ -12% 20+ -25% 40+ -33% 60+ -37% 100+ -42%

Part Number	No. of Teeth Z_a	Ref. Dia. d_a	No. of Teeth Z_b	Ref. Dia. d_b	Bore H8 d_i	Root Dia. ØR	Price Each 1 - 5
DG0.8-15/30	15	12.8	30	24.0	6	9.61	£32.79
DG0.8-15/45	15	12.8	45	36.0	6	9.61	£33.65
DG0.8-15/60	15	12.8	60	48.0	6	9.61	£34.29
DG0.8-15/75	15	12.8	75	60.0	6	9.61	£34.86
DG0.8-15/90	15	12.8	90	72.0	6	9.61	£35.83
DG0.8-15/96	15	12.8	96	76.8	6	9.61	£36.58
DG0.8-20/48	20	16.0	48	38.4	6	13.61	£33.25
DG0.8-20/56	20	16.0	56	44.8	6	13.61	£34.29
DG0.8-20/64	20	16.0	64	51.2	6	13.61	£34.86
DG0.8-20/80	20	16.0	80	64.0	6	13.61	£35.83
DG0.8-20/96	20	16.0	96	76.8	6	13.61	£36.58

Material

Steel 214M15

Options

Different number of teeth
Other materials
Bore modifications

+44 (0)1246 455500
+44 (0)1246 455522

ondrives

sales@ondrives.com
www.ondrives.com

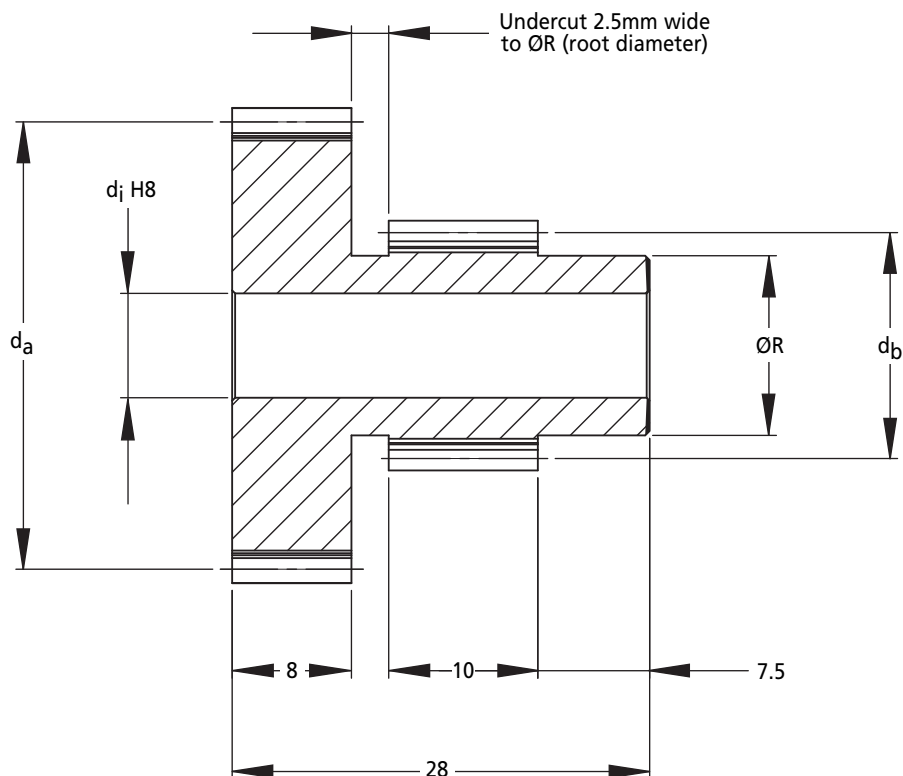
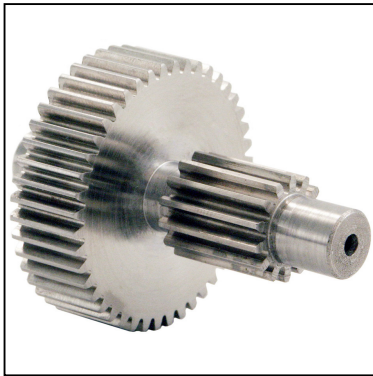
Product information updated 1st April 2011 and subject to change. Please contact Sales for the latest prices and availability.

COMMERCIAL GEARS

1.0 Module Double Spur Gear α 20° PA

Quality Grade 9 ISO 1328

DG
1.0m_n



Discounts: 6+ -12% 20+ -25% 40+ -33% 60+ -37% 100+ -42%

Part Number	No. of Teeth Z_a	Ref. Dia. d_a	No. of Teeth Z_b	Ref. Dia. d_b	Bore H8 d_j	Root Dia. ØR	Price Each 1 - 5
DG1-15/30	15	16	30	30	8	12.05	£34.57
DG1-15/40	15	16	40	40	8	12.05	£35.19
DG1-15/45	15	16	45	45	8	12.05	£36.18
DG1-15/50	15	16	50	50	8	12.05	£37.23
DG1-15/60	15	16	60	60	8	12.05	£37.66
DG1-15/70	15	16	70	70	8	12.05	£38.89
DG1-20/30	20	20	30	30	10	17.05	£35.63
DG1-20/40	20	20	40	40	10	17.05	£36.62
DG1-20/50	20	20	50	50	10	17.05	£37.23
DG1-20/60	20	20	60	60	10	17.05	£38.11
DG1-20/70	20	20	70	70	10	17.05	£39.36

Material

Steel 214M15

Options

Different number of teeth
Other materials
Bore modifications

+44 (0)1246 455500

+44 (0)1246 455522

ondrives

sales@ondrives.com

www.ondrives.com

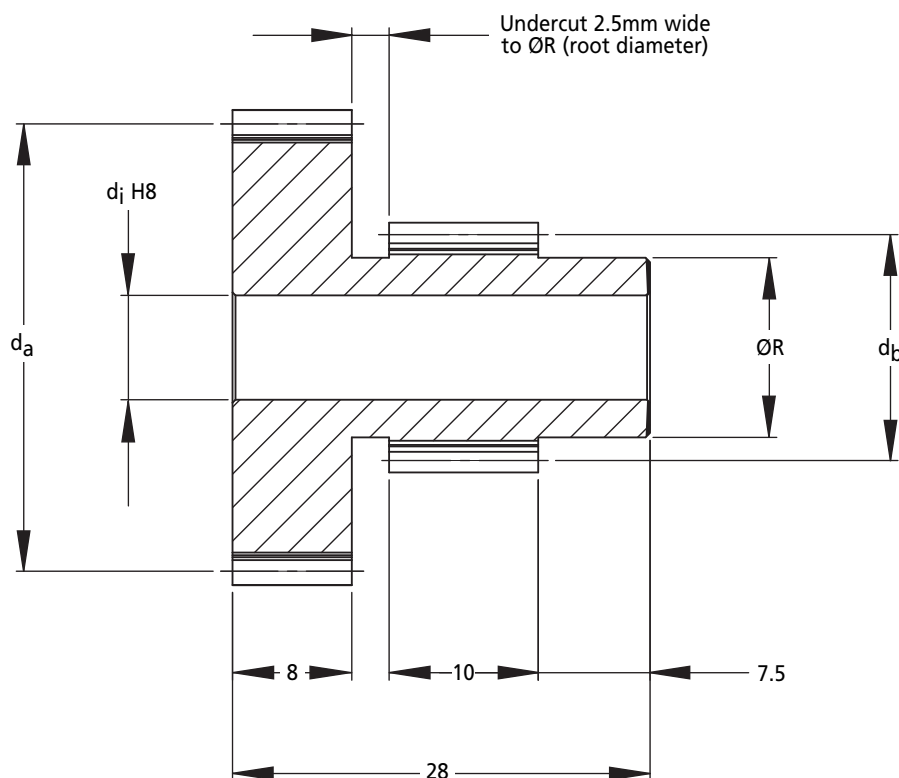
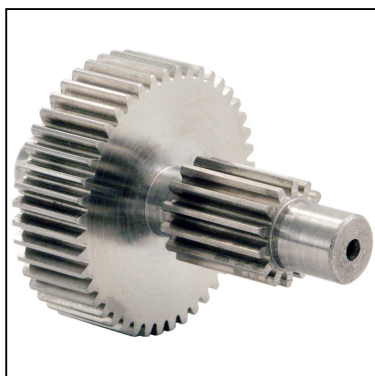
Product information updated 1st April 2011 and subject to change. Please contact Sales for the latest prices and availability.

DG
1.25m_n

COMMERCIAL GEARS

1.25 Module Double Spur Gear α 20° PA

Quality Grade 9 ISO 1328



Discounts: 6+ -12% 20+ -25% 40+ -33% 60+ -37% 100+ -42%

Part Number	No. of Teeth Z_a	Ref. Dia. d_a	No. of Teeth Z_b	Ref. Dia. d_b	Bore H8 d_i	Root Dia. ØR	Price Each 1 - 5
DG1.25-12/24	12	16.25	24	30	8	11.73	£34.97
DG1.25-12/32	12	16.25	32	40	8	11.73	£36.10
DG1.25-12/36	12	16.25	36	45	8	11.73	£36.62
DG1.25-12/40	12	16.25	40	50	8	11.73	£37.23
DG1.25-12/48	12	16.25	48	60	8	11.73	£38.11
DG1.25-12/60	12	16.25	60	75	8	11.73	£39.36
DG1.25-16/24	16	21.25	24	30	10	16.73	£35.63
DG1.25-16/32	16	21.25	32	40	10	16.73	£36.62
DG1.25-16/36	16	21.25	36	45	10	16.73	£37.23
DG1.25-16/48	16	21.25	48	60	10	16.73	£38.11
DG1.25-16/60	16	21.25	60	75	10	16.73	£39.36

Material

Steel 214M15

Options

Different number of teeth
Other materials
Bore modifications

+44 (0)1246 455500
+44 (0)1246 455522

ondrives

sales@ondrives.com
www.ondrives.com

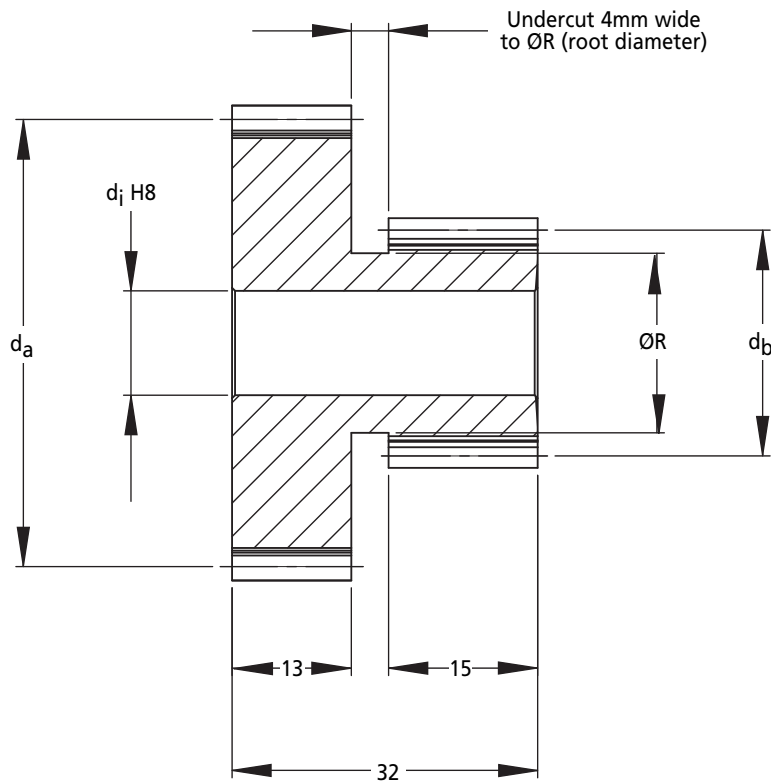
Product information updated 1st April 2011 and subject to change. Please contact Sales for the latest prices and availability.

COMMERCIAL GEARS

1.5 Module Double Spur Gear α 20° PA

Quality Grade 9 ISO 1328

DG
1.5m_n



Discounts: 6+ -12% 20+ -25% 40+ -33% 60+ -37% 100+ -42%

Part Number	No. of Teeth Z_a	Ref. Dia. d_a	No. of Teeth Z_b	Ref. Dia. d_b	Bore H8 d_i	Root Dia. $\varnothing R$	Price Each 1 - 5
DG1.5-16/24	16	24	24	36	10	20	£59.77
DG1.5-16/32	16	24	32	48	10	20	£61.27
DG1.5-16/48	16	24	48	72	10	20	£73.64
DG1.5-16/64	16	24	64	96	10	20	£90.66
DG1.5-16/90	16	24	90	135	10	20	£145.28
DG1.5-16/120	16	24	120	180	10	20	£247.88
DG1.5-20/40	20	30	40	60	10	26	£69.75
DG1.5-20/60	20	30	60	90	10	26	£90.66
DG1.5-20/80	20	30	80	120	10	26	£109.21
DG1.5-20/100	20	30	100	150	10	26	£154.77
DG1.5-20/120	20	30	120	180	10	26	£247.88

Material

Steel 214M15

Options

Different number of teeth
Other materials
Bore modifications

+44 (0)1246 455500
+44 (0)1246 455522

ondrives

sales@ondrives.com
www.ondrives.com

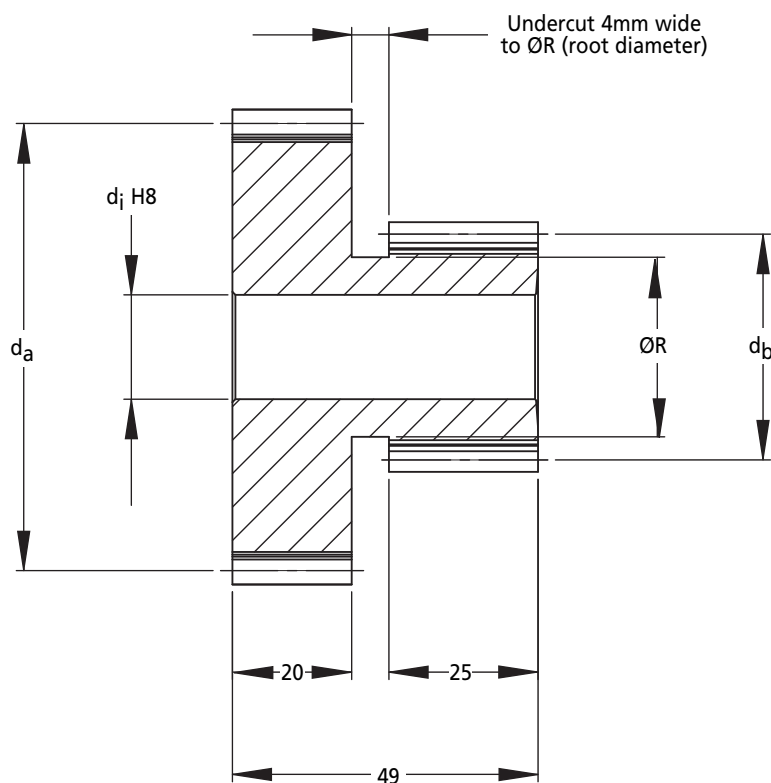
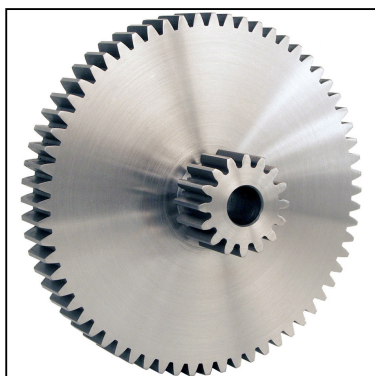
Product information updated 1st April 2011 and subject to change. Please contact Sales for the latest prices and availability.

DG
2.0m_n

COMMERCIAL GEARS

2.0 Module Double Spur Gear α 20° PA

Quality Grade 9 ISO 1328



Discounts: 6+ -12% 20+ -25% 40+ -33% 60+ -37% 100+ -42%

Part Number	No. of Teeth Z_a	Ref. Dia. d_a	No. of Teeth Z_b	Ref. Dia. d_b	Bore H8 d_j	Root Dia. $\text{Ø}R$	Price Each 1 - 5
DG2-15/30	15	30	30	60	15	24	£80.16
DG2-15/45	15	30	45	90	15	24	£104.83
DG2-15/60	15	30	60	120	15	24	£190.30
DG2-15/75	15	30	75	150	15	24	£229.40
DG2-15/90	15	30	90	180	15	24	£256.88
DG2-15/120	15	30	120	240	15	24	£453.09
DG2-20/40	20	40	40	80	15	34	£102.87
DG2-20/60	20	40	60	120	15	34	£200.38
DG2-20/80	20	40	80	160	15	34	£252.79
DG2-20/100	20	40	100	200	15	34	£355.40
DG2-20/120	20	40	120	240	15	34	£453.09

Material

Steel 214M15

Options

Different number of teeth

Other materials

Bore modifications

+44 (0)1246 455500

+44 (0)1246 455522

ondrives

sales@ondrives.com

www.ondrives.com

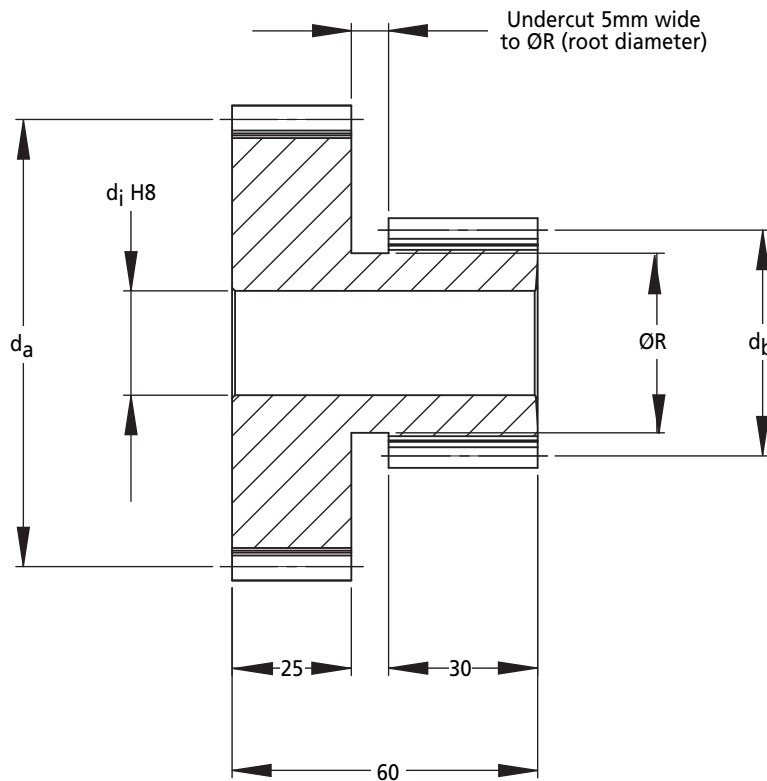
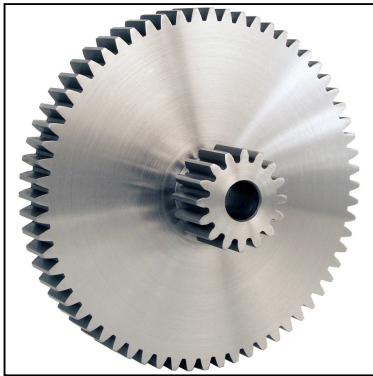
Product information updated 1st April 2011 and subject to change. Please contact Sales for the latest prices and availability.

COMMERCIAL GEARS

2.5 Module Double Spur Gear α 20° PA

Quality Grade 9 ISO 1328

DG
2.5m_n



Discounts: 6+ -12% 20+ -25% 40+ -33% 60+ -37% 100+ -42%

Part Number	No. of Teeth Z_a	Ref. Dia. d_a	No. of Teeth Z_b	Ref. Dia. d_b	Bore H8 d_i	Root Dia. $\varnothing R$	Price Each 1 - 5
DG2.5-18/30	18	45	30	75.0	15	38	£123.34
DG2.5-18/40	18	45	40	100.0	15	38	£160.51
DG2.5-18/45	18	45	45	112.5	15	38	£264.58
DG2.5-18/50	18	45	50	125.0	15	38	£391.30
DG2.5-18/60	18	45	60	150.0	15	38	£489.39
DG2.5-18/70	18	45	70	175.0	15	38	£813.50
DG2.5-24/30	24	60	30	120.0	20	53	£202.30
DG2.5-24/40	24	60	40	150.0	20	53	£285.58
DG2.5-24/50	24	60	50	180.0	20	53	£391.30
DG2.5-24/60	24	60	60	240.0	20	53	£548.28
DG2.5-24/70	24	60	70	275.0	20	53	£807.77

Material

Steel 214M15

Options

Different number of teeth
Other materials
Bore modifications

+44 (0)1246 455500
+44 (0)1246 455522

ondrives

sales@ondrives.com
www.ondrives.com

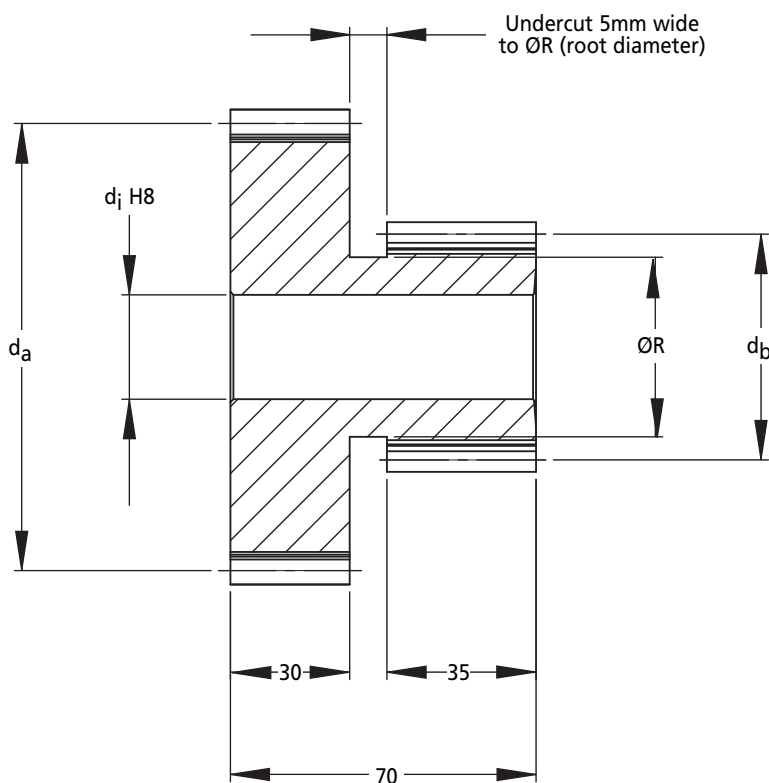
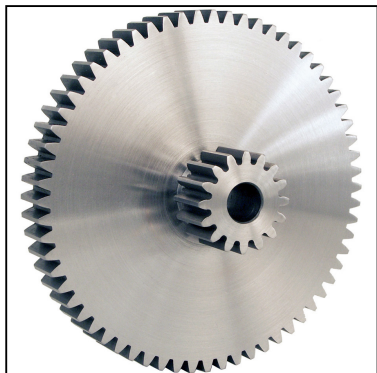
Product information updated 1st April 2011 and subject to change. Please contact Sales for the latest prices and availability.

DG
3.0m_n

COMMERCIAL GEARS

3.0 Module Double Spur Gear α 20° PA

Quality Grade 9 ISO 1328



Discounts: 6+ -12% 20+ -25% 40+ -33% 60+ -37% 100+ -42%

Part Number	No. of Teeth Z_a	Ref. Dia. d_a	No. of Teeth Z_b	Ref. Dia. d_b	Bore H8 d_j	Root Dia. $\varnothing R$	Price Each 1 - 5
DG3-20/30	20	60	30	90	25	51.5	£201.32
DG3-20/40	20	60	40	120	25	51.5	£241.87
DG3-20/50	20	60	50	150	25	51.5	£287.50
DG3-20/60	20	60	60	180	25	51.5	£422.29
DG3-20/80	20	60	80	240	25	51.5	£745.63
DG3-20/90	20	60	90	270	25	51.5	£877.83
DG3-24/48	24	72	48	144	25	63.0	£314.86
DG3-24/60	24	72	60	180	25	63.0	£421.63
DG3-24/72	24	72	72	216	25	63.0	£548.05
DG3-24/84	24	72	84	252	25	63.0	£772.87
DG3-24/96	24	72	96	288	25	63.0	£890.61

Material

Steel 214M15

Options

Different number of teeth
Other materials
Bore modifications

+44 (0)1246 455500
+44 (0)1246 455522

ondrives

sales@ondrives.com
www.ondrives.com

Product information updated 1st April 2011 and subject to change. Please contact Sales for the latest prices and availability.