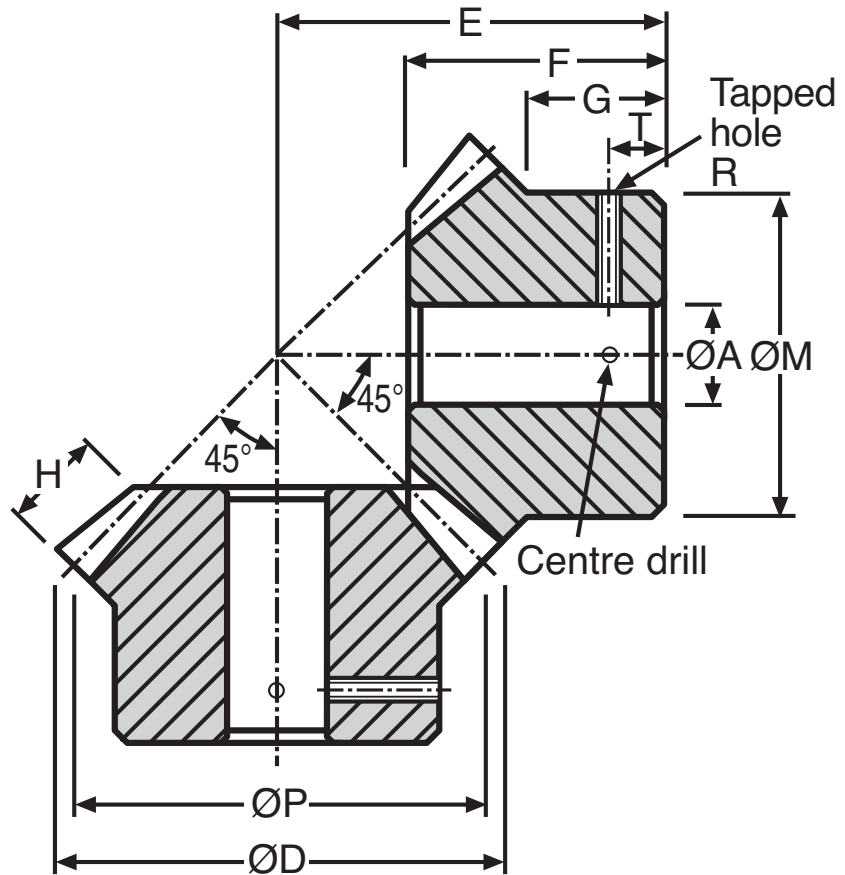
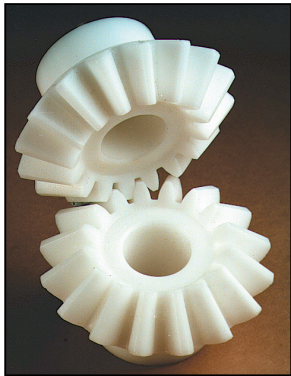


**ZB**

# COMMERCIAL GEARS

## Machined Delrin Conical Bevel Gears $\alpha 20^\circ$ PA

1:1 Ratio



Torque and Power	20 teeth at 1000 rpm					
	0.8 MOD	1.0 MOD	1.25 MOD	1.5 MOD	2.0 MOD	2.5 MOD
Torque (Nm)	0.030	0.120	0.150	0.20	0.46	0.91
Power (kW)	0.003	0.013	0.016	0.02	0.05	0.09

**Discounts:** 6+ -5%   20+ -10%   40+ -15%   60+ -20%   100+ -25%

Part Number	Teeth Z	Mod	ØP	E	ØD	ØA	ØM	F	G	H	Screw R	T	Price Each 1 - 5
ZB0.8-16	16	0.8	12.80	20	13.93	6	10	16.00	12.21	3.00	M3	3.00	£8.35
ZB0.8-20	20	0.8	16.00	20	17.13	6	13	14.76	10.51	3.40	M3	3.40	£8.73
ZB0.8-25	25	0.8	20.00	20	21.13	6	16	13.36	8.00	4.24	M3	4.24	£12.11
ZB0.8-30	30	0.8	24.00	20	25.13	6	20	11.96	6.00	5.09	M3	5.09	£13.07
ZB1-20	20	1.0	20.00	25	21.41	8	18	18.45	14.00	4.24	M4	4.24	£13.33
ZB1-25	25	1.0	25.00	25	26.41	8	22	16.68	10.80	5.28	M4	5.28	£14.23
ZB1-30	30	1.0	30.00	25	31.41	8	26	14.95	8.00	6.35	M4	6.35	£15.17
ZB1.25-20	20	1.25	25.00	23	26.70	8	22	15.27	9.00	6.00	M4	6.00	£13.58
ZB1.25-25	25	1.25	31.25	28	33.00	8	25	17.87	9.20	7.00	M4	7.00	£16.24
ZB1.25-30	30	1.25	37.50	36	39.30	10	30	23.47	13.50	8.00	M4	8.00	£17.37
ZB1.5-20	20	1.5	30.00	35	32.12	10	26	25.17	18.00	6.35	M4	6.35	£14.44
ZB1.5-25	25	1.5	37.50	35	39.62	10	32	22.57	13.50	8.00	M4	8.00	£16.78
ZB1.5-30	30	1.5	45.00	35	47.12	10	38	19.92	9.00	9.50	M4	9.50	£17.77
ZB2-20	20	2.0	40.00	42	43.00	12	34	29.00	19.00	8.50	M5	8.50	£16.92
ZB2-25	25	2.0	50.00	42	52.83	12	40	25.52	12.00	10.60	M5	10.60	£18.84
ZB2-30	30	2.0	60.00	42	63.00	12	50	21.87	7.00	12.70	M5	12.70	£21.18
ZB2.5-16	16	2.5	40.00	50	43.50	15	35	36.80	27.50	8.00	M5	8.00	£17.28
ZB2.5-20	20	2.5	50.00	50	54.00	15	40	33.50	20.00	10.60	M5	10.60	£21.57
ZB2.5-25	25	2.5	62.50	50	66.00	15	55	30.50	15.00	15.00	M5	15.00	£24.53

### Material

Delrin.

Operating Temperature Range: -50° to +80°C

Note: Two complementary bevel gears are required to form 1 pair

### Options

Different number of teeth

Other material

Other bores, fixings, etc.

+44 (0)1246 455500

+44 (0)1246 455522

**ondrives**

sales@ondrives.com

www.ondrives.com

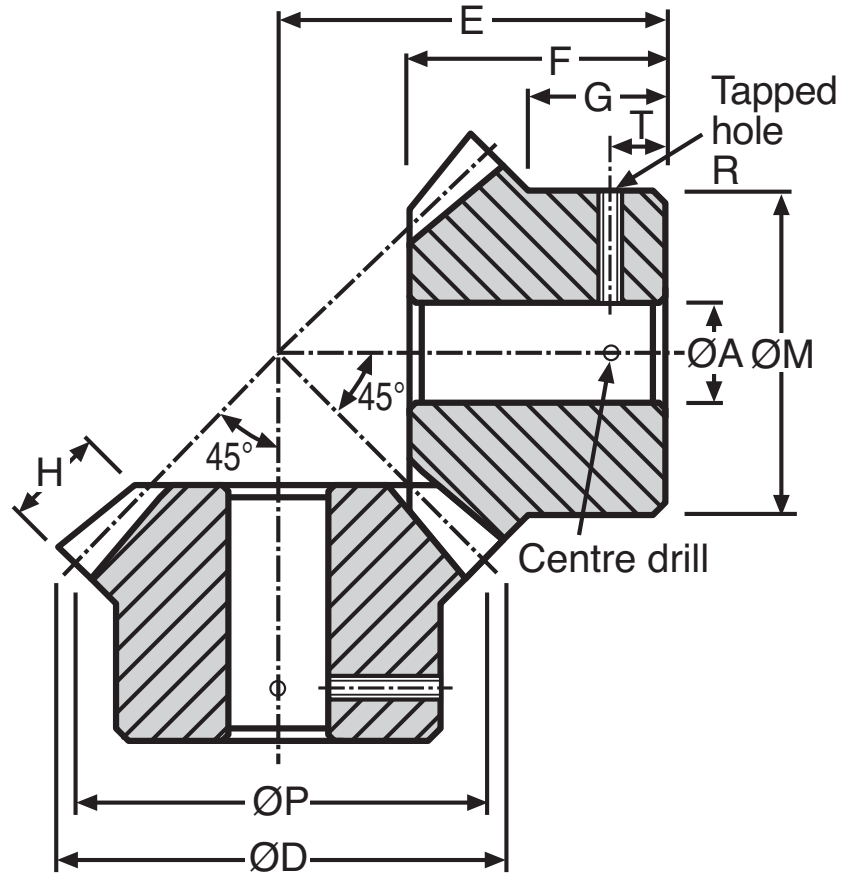
Product information updated 1st April 2011 and subject to change. Please contact Sales for the latest prices and availability.

# COMMERCIAL GEARS

## Machined Delrin Conical Bevel Gears $\alpha$ 20° PA

1:1 Ratio

ZB



Torque and Power	20 teeth at 1000 rpm			
	3 MOD	4 MOD	5 MOD	6 MOD
Torque (Nm)	1.93	2.84	5.00	8.00
Power (kW)	0.20	0.30	0.54	0.85

**Discounts:** 6+ -5%   20+ -10%   40+ -15%   60+ -20%   100+ -25%

Part Number	Teeth Z	Mod	ØP	E	ØD	ØA	ØM	F	G	H	Screw R	T	Price Each 1 - 5
ZB3-16	16	3.0	48.00	44.00	52.24	15	40.00	29.08	16.00	11.00	M5	8.00	£51.25
ZB3-19	19	3.0	57.00	49.00	61.24	16	50.00	31.01	17.02	13.00	M5	9.00	£63.56
ZB3-26	26	3.0	78.00	65.00	82.24	18	64.00	40.03	19.03	18.00	M6	10.00	£82.48
ZB3-30	30	3.0	90.00	68.50	94.24	20	76.00	39.65	16.51	21.00	M6	8.00	£98.44
ZB4-16	16	4.0	64.00	55.50	69.66	15	50.00	35.81	16.49	15.00	M5	8.00	£63.63
ZB4-19	19	4.0	76.00	65.00	81.66	18	62.50	41.43	20.24	18.00	M6	10.00	£92.98
ZB4-26	26	4.0	104.00	82.00	109.66	22	85.00	48.69	20.50	24.00	M6	10.00	£112.29
ZB4-30	30	4.0	120.00	90.00	125.66	25	102.00	51.51	21.00	28.00	M8	11.00	£118.38
ZB5-16	16	5.0	80.00	70.00	87.10	18	60.00	46.13	20.00	20.00	M8	11.00	£110.28
ZB5-20	20	5.0	100.00	80.00	107.10	20	80.00	49.04	21.50	24.00	M8	12.00	£117.24
ZB5-25	25	5.0	125.00	100.00	132.10	25	80.00	59.47	24.00	28.00	M10	14.00	£124.45
ZB5-30	30	5.0	150.00	114.00	157.10	30	100.00	65.87	26.00	35.00	M10	15.00	£130.50
ZB6-16	16	6.0	96.00	80.00	104.52	25	75.00	50.10	22.00	22.00	M10	12.00	£135.50
ZB6-20	20	6.0	120.00	90.00	128.52	30	96.00	52.32	18.50	28.00	M10	12.00	£141.68
ZB6-25	25	6.0	150.00	115.00	158.52	35	100.00	67.29	24.00	35.00	M10	14.00	£147.98
ZB6-30	30	6.0	180.00	130.00	188.52	35	120.00	72.24	28.00	42.00	M10	16.00	£157.25

### Material

Delrin.

Operating Temperature Range: -50° to +80°C

Note: Two complementary bevel gears are required to form 1 pair

### Options

Different number of teeth

Other material

Other bores, fixings, etc.

+44 (0)1246 455500

+44 (0)1246 455522

**ondrives**

sales@ondrives.com

www.ondrives.com

Product information updated 1st April 2011 and subject to change. Please contact Sales for the latest prices and availability.