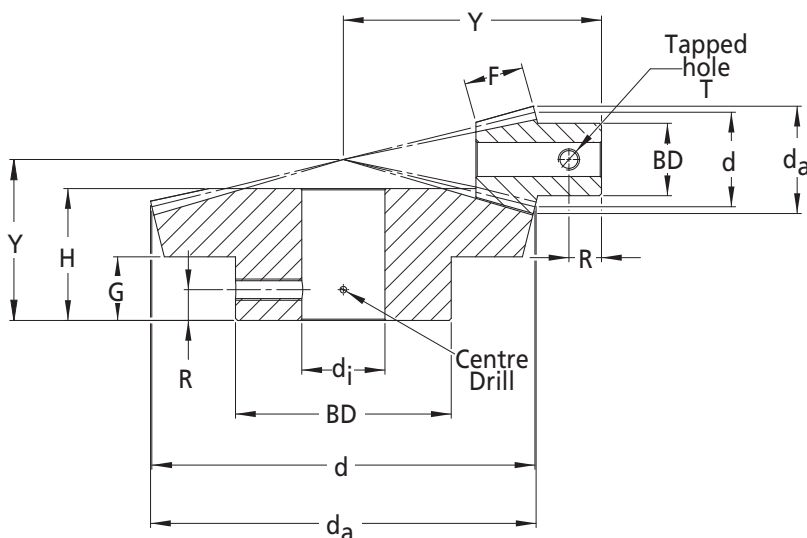
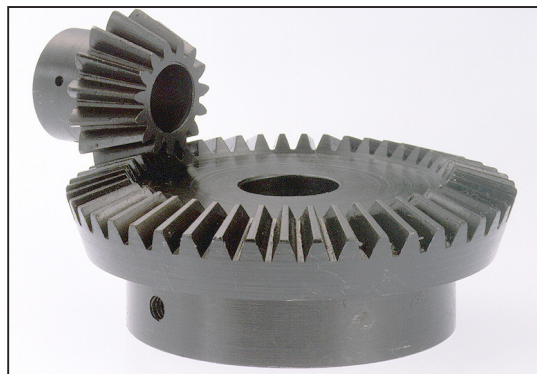


# COMMERCIAL GEARS

TB

## Machined Bevel Gears $\alpha$ 20° PA

3:1 Ratio - Steel 080M40



**Discounts:** 6+ -6%    20+ -10%    40+ -15%    60+ -20%    100+ -25%

Part Number	Module $m_n$	No. of Teeth $Z$	Ref. Dia. $d$	Mounting Distance $Y$	Tip Dia. $d_a$	Bore Dia. $d_i$	Hub Dia. $BD$	Total Height $H$	Hub Height $G$	Face Width $F$	Tapped Hole $T$	$R$	Price Each 1 - 5
TB0.8-15	0.80	15	12.00	28.00	14.14	6.00	10.00	15.63	9.67	5.69	M3	5.00	£17.04
TB0.8-45	0.80	45	36.00	20.00	36.30	8.00	28.00	16.07	8.00	5.69	M3	4.00	£25.67
TB1-15	1.00	15	15.00	32.00	17.67	8.00	13.00	16.54	9.18	7.12	M4	4.50	£18.55
TB1-45	1.00	45	45.00	24.00	45.37	10.00	40.00	19.09	10.00	7.12	M4	5.00	£27.47
TB1.5-15	1.50	15	22.50	45.00	26.51	10.00	18.00	21.80	10.51	10.67	M4	5.00	£19.01
TB1.5-45	1.50	45	67.50	32.00	68.06	15.00	50.00	24.63	12.00	10.67	M4	6.00	£31.18
TB2-15	2.00	15	30.00	62.00	35.37	12.00	24.00	31.77	16.00	15.00	M5	10.00	£36.81
TB2-45	2.00	45	90.00	42.00	90.74	18.00	48.00	32.39	18.00	15.00	M5	10.00	£122.02
TB2.5-15	2.50	15	37.50	75.00	44.21	18.00	30.00	36.52	18.00	18.00	M6	12.00	£47.56
TB2.5-45	2.50	45	112.50	50.00	113.43	20.00	55.00	37.77	22.00	18.00	M6	12.00	£152.75
TB3-15	3.00	15	45.00	88.00	53.05	18.00	36.00	42.20	19.00	22.00	M6	12.00	£65.37
TB3-45	3.00	45	135.00	58.00	136.11	23.00	65.00	43.45	24.00	22.00	M6	12.00	£181.34
TB4-15	4.00	15	60.00	115.00	70.74	20.00	48.00	54.55	23.00	30.00	M8	15.00	£73.05
TB4-45	4.00	45	180.00	75.00	181.48	30.00	85.00	55.77	30.00	30.00	M8	15.00	£223.74
TB5-15	5.00	15	75.00	138.00	88.42	20.00	60.00	64.75	23.00	40.00	M8	15.00	£110.74
TB5-45	5.00	45	225.00	86.00	226.85	35.00	120.00	62.68	28.00	40.00	M10	15.00	£270.49
TB6-15	6.00	15	90.00	160.00	106.11	25.00	72.00	69.31	22.00	45.00	M10	15.00	£138.89
TB6-45	6.00	45	270.00	95.00	272.22	40.00	140.00	66.17	28.00	45.00	M10	15.00	£324.89

### Material

Steel 080M40 (EN8)

**Note:** Two complementary bevel gears are required to form 1 pair

### Options

Different number of teeth  
Other material  
Other bores, fixings, etc.

+44 (0)1246 455500  
+44 (0)1246 455522

**ondrives**

sales@ondrives.com  
www.ondrives.com

Product information updated 22nd September 2011 and subject to change. Please contact Sales for the latest prices and availability.