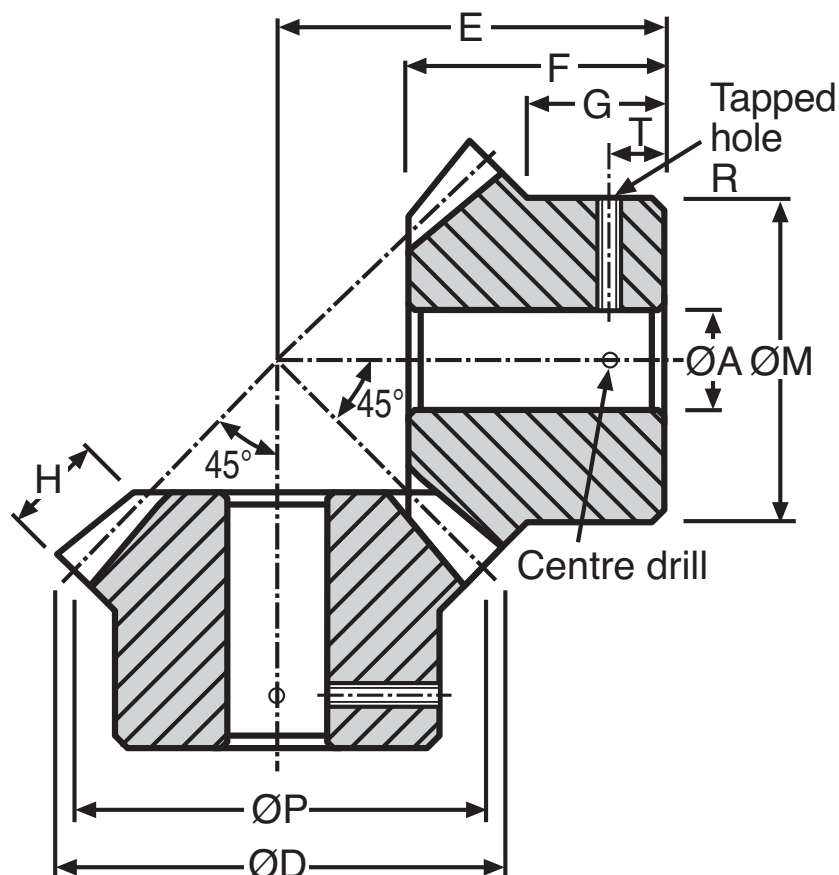
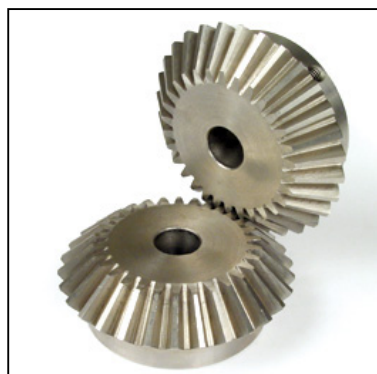


SSB

COMMERCIAL GEARS

Machined Stainless Steel Bevel Gears α 20° PA

1:1 Ratio



Torque and Power	20 teeth at 1000 rpm					
	0.8 MOD	1.0 MOD	1.25 MOD	1.5 MOD	2.0 MOD	2.5 MOD
Torque (Nm)	0.140	0.57	0.71	0.940	2.20	4.30
Power (kW)	0.015	0.03	0.08	0.097	0.23	0.45

Discounts: 6+ -5% 20+ -10% 40+ -15% 60+ -20% 100+ -25%

Part Number	Teeth Z	Mod	ØP	E	ØD	ØA	ØM	F	G	H	Screw R	T	Price Each 1 - 5
SSB0.8-16	16	0.8	12.80	20.00	13.93	6	10	16.00	12.21	3.00	M3	7.00	£30.31
SSB0.8-25	25	0.8	20.00	20.00	21.13	6	16	13.35	8.00	4.24	M3	5.00	£32.88
SSB0.8-30	30	0.8	24.00	20.00	25.13	6	20	11.96	6.00	5.09	M3	4.00	£35.53
SSB1-20	20	1.0	20.00	25.00	21.41	8	18	18.45	14.00	4.24	M4	8.00	£36.19
SSB1-30	30	1.0	30.00	25.00	31.41	8	26	14.95	8.00	6.35	M4	5.00	£41.14
SSB1.25-20	20	1.25	25.00	23.00	26.70	8	22	15.27	9.00	6.00	M4	3.00	£38.01
SSB1.25-30	30	1.25	37.50	36.00	39.30	10	30	23.47	13.50	8.00	M4	5.00	£43.08
SSB1.5-20	20	1.5	30.00	35.00	32.12	10	26	25.17	18.00	6.35	M4	10.00	£39.23
SSB1.5-30	30	1.5	45.00	35.00	47.12	10	38	19.92	9.00	9.50	M4	5.00	£48.28
SSB2-20	20	2.0	40.00	42.00	43.00	12	34	29.00	19.00	8.50	M5	10.00	£45.90
SSB2-30	30	2.0	60.00	42.00	63.00	12	50	21.87	7.00	12.70	M5	4.00	£57.48
SSB2.5-16	16	2.5	40.00	50.00	43.50	15	35	36.80	27.50	8.00	M5	15.00	£46.93
SSB2.5-25	25	2.5	62.50	50.00	66.00	15	55	30.50	15.00	15.00	M5	8.00	£66.58

Material

Stainless Steel 304L.

Options

Different number of teeth

Other material

Other bores, fixings, etc.

Note: Two complementary bevel gears are required to form 1 pair

+44 (0)1246 455500

+44 (0)1246 455522

ondrives

sales@ondrives.com

www.ondrives.com

Product information updated 1st April 2011 and subject to change. Please contact Sales for the latest prices and availability.