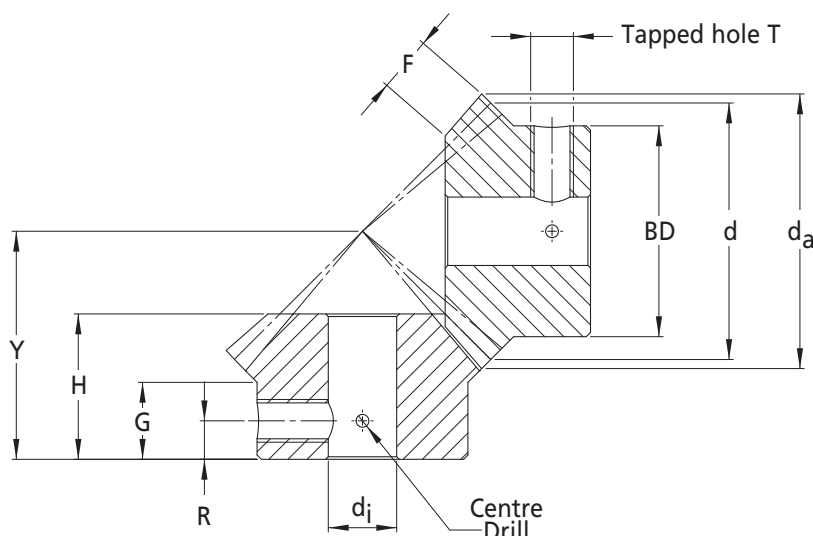


COMMERCIAL GEARS

B

Machined Bevel Gears α 20° PA

1:1 Ratio - Steel 080M40



Discounts: 6+ -6% 20+ -10% 40+ -15% 60+ -20% 100+ -25%

Part Number	Module m_n	No. of Teeth Z	Ref. Dia. d	Mounting Distance Y	Tip Dia. d_a	Bore Dia. d_i	Hub Dia. BD	Total Height H	Hub Height G	Face Width F	Tapped Hole T	R	Price Each 1 - 5
B0.8-16	0.80	16	12.80	20.00	13.93	6.00	10.00	16.00	12.20	3.00	M3	7.00	£18.33
B0.8-20	0.80	20	16.00	20.00	17.13	6.00	13.00	14.76	10.50	3.40	M3	6.00	£19.17
B0.8-25	0.80	25	20.00	20.00	21.13	6.00	16.00	13.35	8.00	4.24	M3	5.00	£19.88
B0.8-30	0.80	30	24.00	20.00	25.13	6.00	20.00	11.96	6.00	5.09	M3	4.00	£21.49
B1-20	1.00	20	20.00	25.00	21.41	8.00	18.00	18.45	14.00	4.24	M4	8.00	£21.89
B1-25	1.00	25	25.00	25.00	26.41	8.00	22.00	16.68	10.80	5.28	M4	6.00	£23.34
B1-30	1.00	30	30.00	25.00	31.41	8.00	26.00	14.95	8.00	6.35	M4	5.00	£24.90
B1.25-20	1.25	20	25.00	23.00	26.70	8.00	22.00	15.27	9.00	6.00	M4	3.00	£22.97
B1.25-25	1.25	25	31.25	28.00	33.00	8.00	25.00	17.87	9.20	7.00	M4	3.00	£25.87
B1.25-30	1.25	30	37.50	36.00	39.30	10.00	30.00	23.47	13.50	8.00	M4	5.00	£26.07
B1.5-20	1.50	20	30.00	35.00	32.12	10.00	26.00	25.17	18.00	6.35	M4	10.00	£23.70
B1.5-25	1.50	25	37.50	35.00	39.62	10.00	32.00	22.57	13.50	8.00	M4	7.00	£27.55
B1.5-30	1.50	30	45.00	35.00	47.12	10.00	38.00	19.92	9.00	9.50	M4	5.00	£29.21
B2-20	2.00	20	40.00	42.00	43.00	12.00	34.00	29.00	19.00	8.50	M5	10.00	£27.78
B2-25	2.00	25	50.00	42.00	52.83	12.00	40.00	25.52	12.00	10.60	M5	7.00	£30.99
B2-30	2.00	30	60.00	42.00	63.00	12.00	50.00	21.87	7.00	12.70	M5	4.00	£34.79
B2.5-16	2.50	16	40.00	50.00	43.50	15.00	35.00	36.80	27.50	8.00	M5	15.00	£28.40
B2.5-20	2.50	20	50.00	50.00	54.00	15.00	40.00	33.50	20.00	10.60	M5	12.00	£35.38
B2.5-25	2.50	25	62.50	50.00	66.00	15.00	55.00	30.50	15.00	15.00	M5	8.00	£40.20
B3-16	3.00	16	48.00	44.00	52.24	15.00	40.00	29.08	16.00	11.00	M5	8.00	£47.71
B3-19	3.00	19	57.00	49.00	61.24	16.00	50.00	31.01	17.02	13.00	M5	9.00	£60.51
B3-26	3.00	26	78.00	65.00	82.24	18.00	64.00	40.03	19.03	18.00	M6	10.00	£81.14
B3-30	3.00	30	90.00	68.50	94.24	20.00	76.00	39.65	16.51	21.00	M6	8.00	£87.76
B4-16	4.00	16	64.00	55.50	69.66	15.00	50.00	35.81	16.49	15.00	M5	8.00	£68.25
B4-19	4.00	19	76.00	65.00	81.66	18.00	62.50	41.43	20.24	18.00	M6	10.00	£81.20
B4-26	4.00	26	104.00	82.00	109.66	22.00	85.00	48.69	20.50	24.00	M6	10.00	£96.30
B4-30	4.00	30	120.00	90.00	125.66	25.00	102.00	51.51	21.00	28.00	M8	11.00	£105.08
B5-16	5.00	16	80.00	70.00	87.10	18.00	60.00	46.13	20.00	20.00	M8	11.00	£110.57
B5-20	5.00	20	100.00	80.00	107.10	20.00	80.00	49.04	21.50	24.00	M8	12.00	£117.52
B5-25	5.00	25	125.00	100.00	132.10	25.00	80.00	59.47	24.00	28.00	M10	14.00	£124.42
B5-30	5.00	30	150.00	114.00	157.10	30.00	100.00	65.87	26.00	35.00	M10	15.00	£130.84
B6-16	6.00	16	96.00	80.00	104.52	25.00	75.00	50.10	22.00	22.00	M10	12.00	£135.83
B6-20	6.00	20	120.00	90.00	128.52	30.00	96.00	52.32	18.50	28.00	M10	12.00	£142.05
B6-25	6.00	25	150.00	115.00	158.52	35.00	100.00	67.29	24.00	35.00	M10	14.00	£148.36
B6-30	6.00	30	180.00	130.00	188.52	35.00	120.00	72.24	28.00	42.00	M10	16.00	£157.63

Material

Steel 080M40 (EN8)

Note: Two complementary bevel gears are required to form 1 pair

Options

Different number of teeth
Other material
Other bores, fixings, etc.

+44 (0)1246 455500
+44 (0)1246 455522

ondrives

sales@ondrives.com
www.ondrives.com

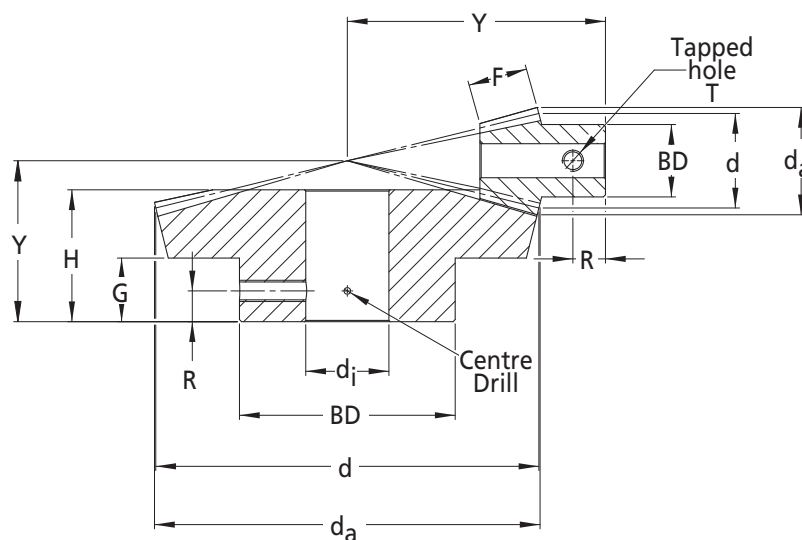
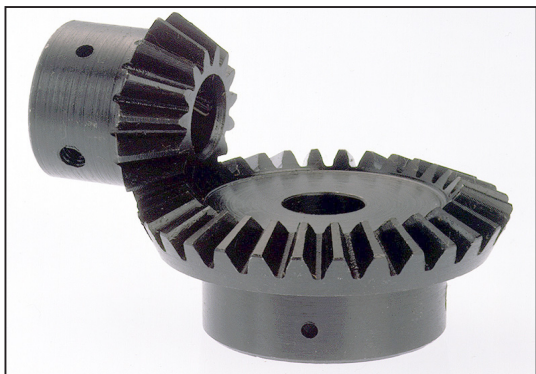
Product information updated 22nd September 2011 and subject to change. Please contact Sales for the latest prices and availability.

COMMERCIAL GEARS

DB

Machined Bevel Gears α 20° PA

2:1 Ratio - Steel 080M40



Discounts: 6+ -6% 20+ -10% 40+ -15% 60+ -20% 100+ -25%

Part Number	Module m_n	No. of Teeth Z	Ref. Dia. d	Mounting Distance Y	Tip Dia. d	Bore Dia. d_i	Hub Dia. BD	Total Height H	Hub Height G	Face Width F	Tapped Hole T	R	Price Each 1 - 5
DB0.8-15	0.80	15	12.00	20.00	13.93	6.00	10.00	11.90	7.50	4.02	M3	3.50	£19.23
DB0.8-30	0.80	30	24.00	14.00	24.64	8.00	20.00	10.08	5.50	4.02	M3	3.50	£22.72
DB1-15	1.00	15	15.00	24.00	17.42	8.00	14.00	13.87	8.76	5.03	M4	4.00	£21.82
DB1-30	1.00	30	30.00	18.00	30.58	10.00	25.00	13.11	7.00	5.03	M4	4.00	£26.82
DB1.5-15	1.50	15	22.50	35.00	26.12	10.00	21.00	19.84	12.13	7.55	M4	5.00	£23.80
DB1.5-30	1.50	30	45.00	27.00	45.87	10.00	30.00	19.66	11.00	7.55	M4	5.00	£30.48
DB2-15	2.00	15	30.00	45.00	34.83	12.00	28.00	24.76	14.86	10.06	M5	7.50	£26.32
DB2-30	2.00	30	60.00	35.00	61.16	12.00	40.00	25.21	14.00	10.06	M5	8.00	£36.51
DB2.5-15	2.50	15	37.50	54.00	43.54	15.00	32.00	29.51	16.51	13.53	M5	8.00	£36.01
DB2.5-30	2.50	30	75.00	41.50	76.45	15.00	50.00	29.31	13.31	13.53	M5	7.00	£45.48
DB3-15	3.00	15	45.00	65.00	52.25	18.00	36.00	36.26	18.00	17.00	M6	12.00	£48.56
DB3-30	3.00	30	90.00	50.00	91.74	20.00	55.00	36.08	18.00	17.00	M6	12.00	£89.50
DB4-15	4.00	15	60.00	85.00	69.67	20.00	48.00	46.11	22.01	22.00	M6	15.00	£69.33
DB4-30	4.00	30	120.00	67.00	122.32	25.00	70.00	48.16	25.00	22.00	M8	15.00	£105.06
DB5-15	5.00	15	75.00	100.00	87.09	20.00	60.00	51.81	21.00	28.00	M8	15.00	£101.17
DB5-30	5.00	30	150.00	75.00	152.90	30.00	100.00	51.66	22.00	28.00	M10	15.00	£146.38
DB6-15	6.00	15	90.00	115.00	104.51	25.00	75.00	57.52	21.00	34.00	M10	15.00	£139.76
DB6-30	6.00	30	180.00	86.00	183.48	35.00	120.00	58.15	24.00	34.00	M10	15.00	£169.60

Material

Steel 080M40 (EN8)

Note: Two complementary bevel gears are required to form 1 pair

Options

Different number of teeth
Other material
Other bores, fixings, etc.

+44 (0)1246 455500
+44 (0)1246 455522

ondrives

sales@ondrives.com
www.ondrives.com

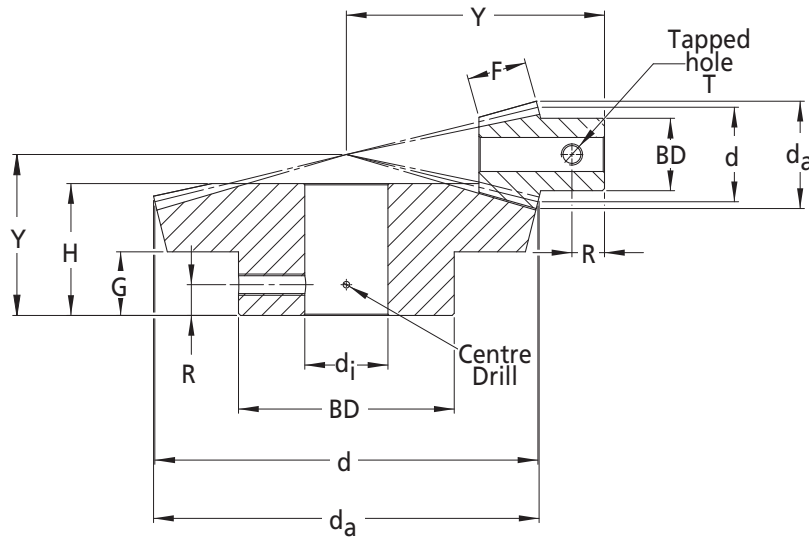
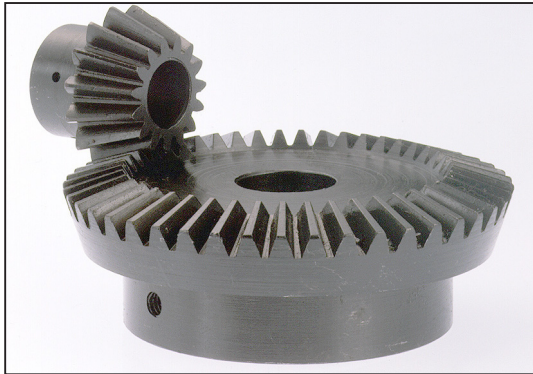
Product information updated 22nd September 2011 and subject to change. Please contact Sales for the latest prices and availability.

COMMERCIAL GEARS

TB

Machined Bevel Gears α 20° PA

3:1 Ratio - Steel 080M40



Discounts: 6+ -6% 20+ -10% 40+ -15% 60+ -20% 100+ -25%

Part Number	Module m_n	No. of Teeth Z	Ref. Dia. d	Mounting Distance Y	Tip Dia. d_a	Bore Dia. d_i	Hub Dia. BD	Total Height H	Hub Height G	Face Width F	Tapped Hole T	R	Price Each 1 - 5
TB0.8-15	0.80	15	12.00	28.00	14.14	6.00	10.00	15.63	9.67	5.69	M3	5.00	£17.04
TB0.8-45	0.80	45	36.00	20.00	36.30	8.00	28.00	16.07	8.00	5.69	M3	4.00	£25.67
TB1-15	1.00	15	15.00	32.00	17.67	8.00	13.00	16.54	9.18	7.12	M4	4.50	£18.55
TB1-45	1.00	45	45.00	24.00	45.37	10.00	40.00	19.09	10.00	7.12	M4	5.00	£27.47
TB1.5-15	1.50	15	22.50	45.00	26.51	10.00	18.00	21.80	10.51	10.67	M4	5.00	£19.01
TB1.5-45	1.50	45	67.50	32.00	68.06	15.00	50.00	24.63	12.00	10.67	M4	6.00	£31.18
TB2-15	2.00	15	30.00	62.00	35.37	12.00	24.00	31.77	16.00	15.00	M5	10.00	£36.81
TB2-45	2.00	45	90.00	42.00	90.74	18.00	48.00	32.39	18.00	15.00	M5	10.00	£122.02
TB2.5-15	2.50	15	37.50	75.00	44.21	18.00	30.00	36.52	18.00	18.00	M6	12.00	£47.56
TB2.5-45	2.50	45	112.50	50.00	113.43	20.00	55.00	37.77	22.00	18.00	M6	12.00	£152.75
TB3-15	3.00	15	45.00	88.00	53.05	18.00	36.00	42.20	19.00	22.00	M6	12.00	£65.37
TB3-45	3.00	45	135.00	58.00	136.11	23.00	65.00	43.45	24.00	22.00	M6	12.00	£181.34
TB4-15	4.00	15	60.00	115.00	70.74	20.00	48.00	54.55	23.00	30.00	M8	15.00	£73.05
TB4-45	4.00	45	180.00	75.00	181.48	30.00	85.00	55.77	30.00	30.00	M8	15.00	£223.74
TB5-15	5.00	15	75.00	138.00	88.42	20.00	60.00	64.75	23.00	40.00	M8	15.00	£110.74
TB5-45	5.00	45	225.00	86.00	226.85	35.00	120.00	62.68	28.00	40.00	M10	15.00	£270.49
TB6-15	6.00	15	90.00	160.00	106.11	25.00	72.00	69.31	22.00	45.00	M10	15.00	£138.89
TB6-45	6.00	45	270.00	95.00	272.22	40.00	140.00	66.17	28.00	45.00	M10	15.00	£324.89

Material

Steel 080M40 (EN8)

Note: Two complementary bevel gears are required to form 1 pair

Options

Different number of teeth
Other material
Other bores, fixings, etc.

+44 (0)1246 455500
+44 (0)1246 455522

ondrives

sales@ondrives.com
www.ondrives.com

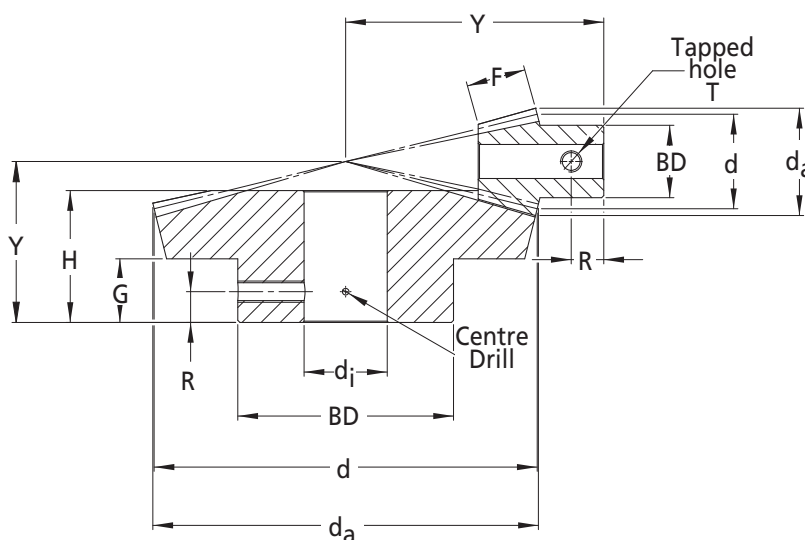
Product information updated 22nd September 2011 and subject to change. Please contact Sales for the latest prices and availability.

COMMERCIAL GEARS

FB

Machined Bevel Gears α 20° PA

4:1 Ratio - Steel 080M40



Discounts: 6+ -6% 20+ -10% 40+ -15% 60+ -20% 100+ -25%

Part Number	Module m_n	No. of Teeth Z	Ref. Dia. d	Mounting Distance Y	Tip Dia. d	Bore Dia. d_i	Hub Dia. BD	Total Height H	Hub Height G	Face Width F	Tapped Hole T	R	Price Each 1 - 5
FB0.8-15	0.80	15	12.00	35.00	14.23	6.00	10.00	18.07	10.58	7.10	M3	5.00	£18.20
FB0.8-60	0.80	60	48.00	20.00	48.22	8.00	30.00	15.98	8.00	7.10	M3	4.00	£27.65
FB1-15	1.00	15	15.00	45.00	17.79	8.00	13.00	24.22	14.73	9.28	M4	7.00	£20.34
FB1-60	1.00	60	60.00	30.00	60.27	10.00	40.00	25.08	12.00	9.28	M4	6.00	£29.52
FB1.5-15	1.50	15	22.50	60.00	26.69	10.00	18.00	28.82	12.08	13.91	M4	6.00	£21.27
FB1.5-60	1.50	60	90.00	35.00	90.41	15.00	50.00	27.61	12.00	13.91	M4	6.00	£32.91
FB2-15	2.00	15	30.00	76.10	35.57	12.00	24.00	33.05	15.36	17.00	M5	10.00	£48.25
FB2-60	2.00	60	120.00	45.00	120.55	18.00	60.00	34.81	19.00	17.00	M5	10.00	£146.82
FB2.5-15	2.50	15	37.50	94.00	44.46	15.00	30.00	39.95	17.00	21.00	M6	12.00	£56.77
FB2.5-60	2.50	60	150.00	55.00	150.69	20.00	75.00	42.20	23.00	21.00	M6	12.00	£179.78
FB3-15	3.00	15	45.00	112.00	53.55	18.00	36.00	47.90	21.00	26.00	M6	12.00	£84.37
FB3-60	3.00	60	180.00	65.00	180.82	25.00	90.00	49.83	27.00	26.00	M6	12.00	£219.53
FB4-15	4.00	15	60.00	146.00	71.14	20.00	48.00	59.90	25.00	34.00	M8	15.00	£89.13
FB4-60	4.00	60	240.00	82.00	241.10	30.00	120.00	61.61	35.00	34.00	M8	15.00	£277.41
FB5-15	5.00	15	75.00	175.00	88.92	20.00	60.00	64.98	23.00	40.00	M8	15.00	£117.50
FB5-60	5.00	60	300.00	90.00	301.37	35.00	160.00	64.00	28.00	40.00	M10	15.00	£311.95
FB6-15	6.00	15	90.00	205.00	106.70	25.00	75.00	70.12	23.00	45.00	M10	15.00	£143.86
FB6-60	6.00	60	360.00	96.00	361.64	40.00	180.00	64.16	28.00	45.00	M10	15.00	£375.58

Material

Steel 080M40 (EN8)

Note: Two complementary bevel gears are required to form 1 pair

Options

Different number of teeth
Other material
Other bores, fixings, etc.

+44 (0)1246 455500
+44 (0)1246 455522

ondrives

sales@ondrives.com
www.ondrives.com

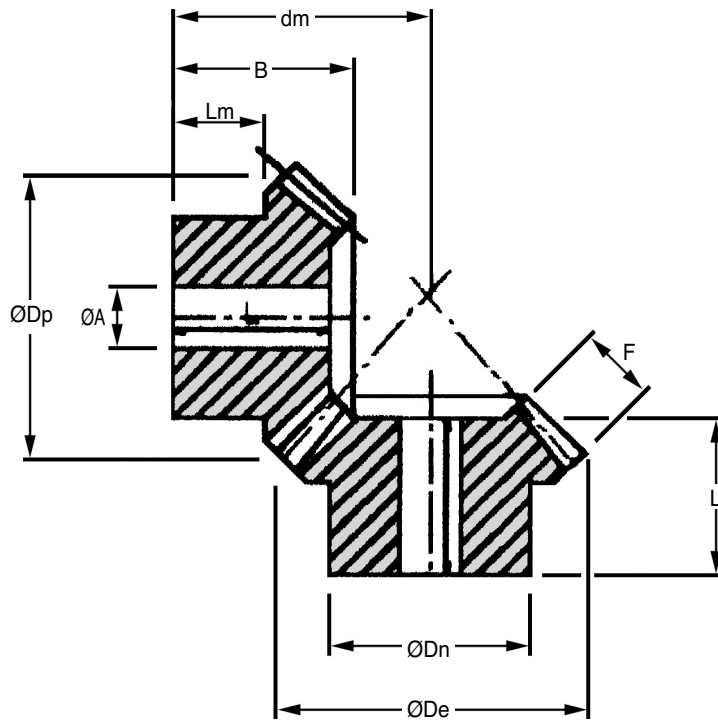
Product information updated 22nd September 2011 and subject to change. Please contact Sales for the latest prices and availability.

COMMERCIAL GEARS

MEB

Moulded Nylon Bevel Gears

1:1 Ratio



Discounts: 10+ -10% 50+ -25% 100+ -35%

Part Number	Teeth Z	Mod	ØDe	ØDp	B	F	ØDn	ØA	dm	L	Lm	Price Each 1 - 9
MEB1-16	16	1.0	17.8	16.0	14.0	4	13	5	18.59	14.0	9.0	£3.49
MEB1.5-16	16	1.5	25.0	24.0	18.0	6	20	8	25.10	17.0	8.9	£4.24
MEB1.5-20	20	1.5	32.1	30.0	20.0	8	22	6	28.70	18.0	9.0	£4.96
MEB1.5-30	30	1.5	47.1	45.0	25.0	10	35	12	39.70	22.5	12.0	£7.33
MEB2-16	16	2.0	34.8	32.0	20.0	9	25	10	28.80	17.0	9.3	£6.02
MEB2-20	20	2.0	42.8	40.0	27.0	12	32	8	35.70	22.0	12.0	£8.51
MEB2-30	30	2.0	62.8	60.0	30.0	16	50	12	47.80	27.0	12.8	£9.71
MEB2.5-16	16	2.5	43.5	40.0	27.0	10	30	12	37.30	22.0	13.3	£7.63
MEB2.5-20	20	2.5	53.5	50.0	30.0	12	38	12	45.90	27.0	16.0	£9.11
MEB2.5-30	30	2.5	78.5	75.0	35.0	18	50	14	59.10	32.0	16.0	£12.82
MEB3-16	16	3.0	52.2	48.0	30.0	12	38	11	44.20	26.0	16.2	£11.17
MEB3-20	20	3.0	64.2	60.0	35.0	18	44	14	51.10	31.0	13.6	£12.07
MEB3-30	30	3.0	94.2	90.0	40.0	22	60	20	68.10	36.0	19.0	£15.78
MEB3.5-20	20	3.5	74.9	70.0	40.5	22	56	14	58.60	36.0	19.0	£13.98

Material

Reinforced Nylon 6, 30% fibreglass

Options

Modifications available on request - see ZB Type for custom pieces

Note: Two complementary bevel gears are required to form 1 pair

+44 (0)1246 455500
+44 (0)1246 455522

ondrives

sales@ondrives.com
www.ondrives.com

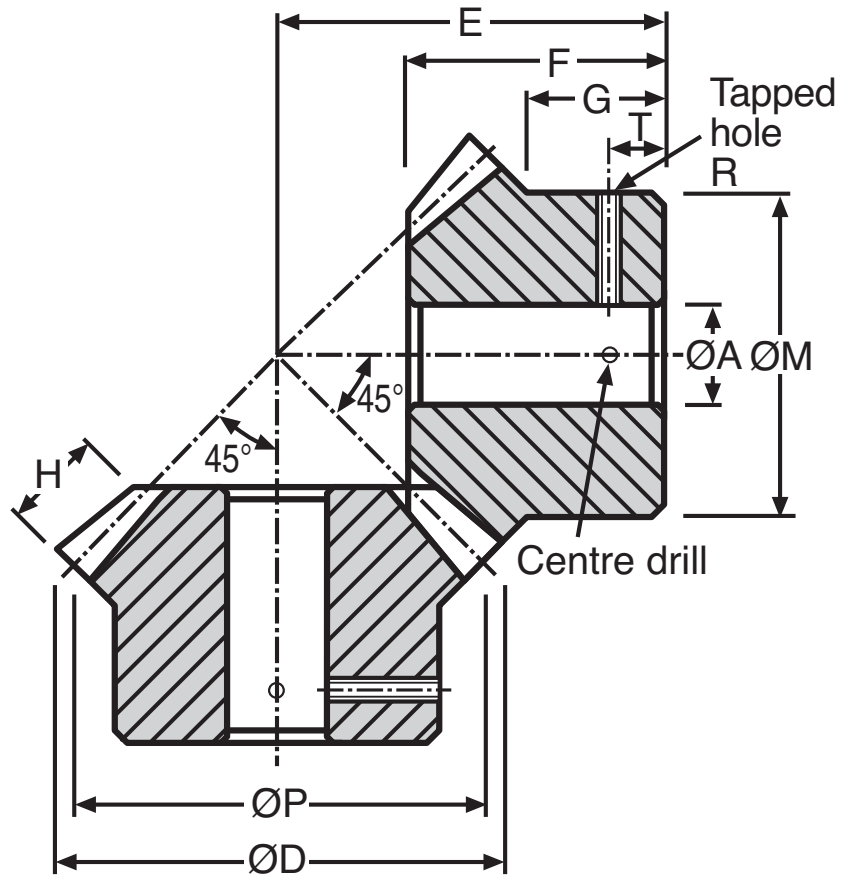
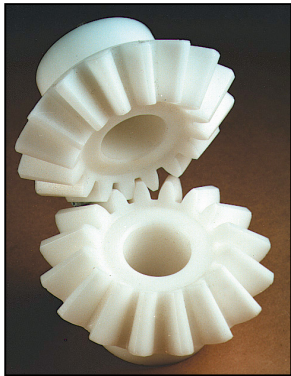
Product information updated 1st April 2011 and subject to change. Please contact Sales for the latest prices and availability.

ZB

COMMERCIAL GEARS

Machined Delrin Conical Bevel Gears α 20° PA

1:1 Ratio



Torque and Power	20 teeth at 1000 rpm					
	0.8 MOD	1.0 MOD	1.25 MOD	1.5 MOD	2.0 MOD	2.5 MOD
Torque (Nm)	0.030	0.120	0.150	0.20	0.46	0.91
Power (kW)	0.003	0.013	0.016	0.02	0.05	0.09

Discounts: 6+ -5% 20+ -10% 40+ -15% 60+ -20% 100+ -25%

Part Number	Teeth Z	Mod	ØP	E	ØD	ØA	ØM	F	G	H	Screw R	T	Price Each 1 - 5
ZB0.8-16	16	0.8	12.80	20	13.93	6	10	16.00	12.21	3.00	M3	3.00	£8.35
ZB0.8-20	20	0.8	16.00	20	17.13	6	13	14.76	10.51	3.40	M3	3.40	£8.73
ZB0.8-25	25	0.8	20.00	20	21.13	6	16	13.36	8.00	4.24	M3	4.24	£12.11
ZB0.8-30	30	0.8	24.00	20	25.13	6	20	11.96	6.00	5.09	M3	5.09	£13.07
ZB1-20	20	1.0	20.00	25	21.41	8	18	18.45	14.00	4.24	M4	4.24	£13.33
ZB1-25	25	1.0	25.00	25	26.41	8	22	16.68	10.80	5.28	M4	5.28	£14.23
ZB1-30	30	1.0	30.00	25	31.41	8	26	14.95	8.00	6.35	M4	6.35	£15.17
ZB1.25-20	20	1.25	25.00	23	26.70	8	22	15.27	9.00	6.00	M4	6.00	£13.58
ZB1.25-25	25	1.25	31.25	28	33.00	8	25	17.87	9.20	7.00	M4	7.00	£16.24
ZB1.25-30	30	1.25	37.50	36	39.30	10	30	23.47	13.50	8.00	M4	8.00	£17.37
ZB1.5-20	20	1.5	30.00	35	32.12	10	26	25.17	18.00	6.35	M4	6.35	£14.44
ZB1.5-25	25	1.5	37.50	35	39.62	10	32	22.57	13.50	8.00	M4	8.00	£16.78
ZB1.5-30	30	1.5	45.00	35	47.12	10	38	19.92	9.00	9.50	M4	9.50	£17.77
ZB2-20	20	2.0	40.00	42	43.00	12	34	29.00	19.00	8.50	M5	8.50	£16.92
ZB2-25	25	2.0	50.00	42	52.83	12	40	25.52	12.00	10.60	M5	10.60	£18.84
ZB2-30	30	2.0	60.00	42	63.00	12	50	21.87	7.00	12.70	M5	12.70	£21.18
ZB2.5-16	16	2.5	40.00	50	43.50	15	35	36.80	27.50	8.00	M5	8.00	£17.28
ZB2.5-20	20	2.5	50.00	50	54.00	15	40	33.50	20.00	10.60	M5	10.60	£21.57
ZB2.5-25	25	2.5	62.50	50	66.00	15	55	30.50	15.00	15.00	M5	15.00	£24.53

Material

Delrin.

Operating Temperature Range: -50° to +80°C

Note: Two complementary bevel gears are required to form 1 pair

Options

Different number of teeth

Other material

Other bores, fixings, etc.

+44 (0)1246 455500

+44 (0)1246 455522

ondrives

sales@ondrives.com

www.ondrives.com

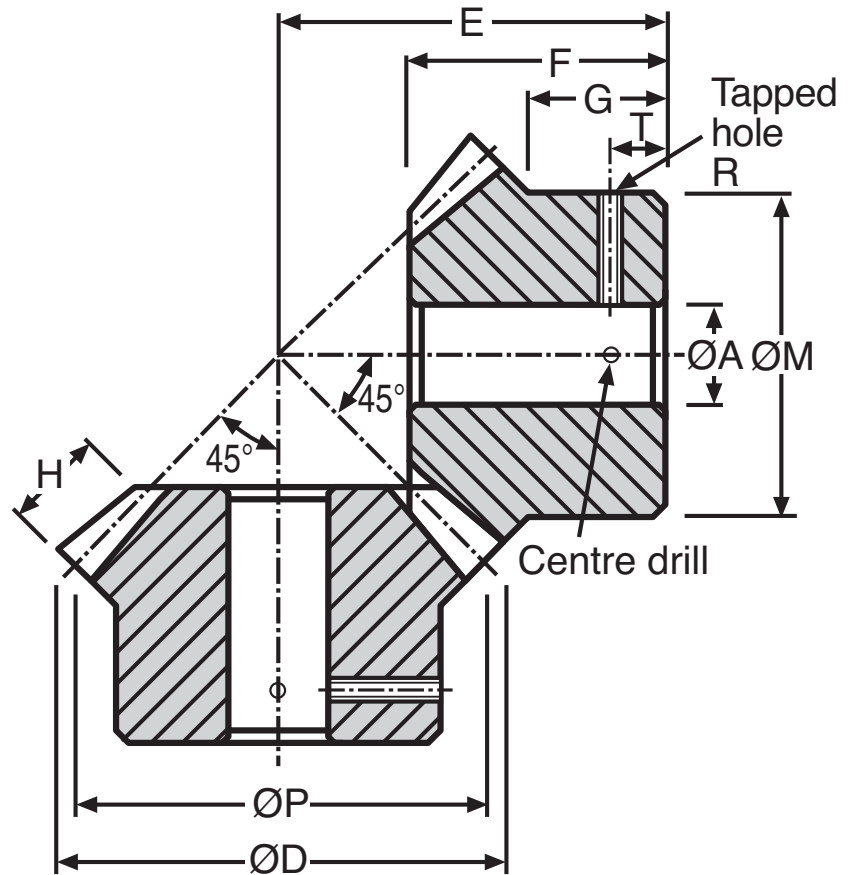
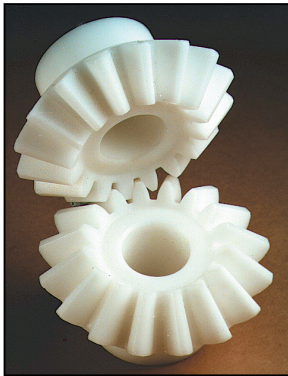
Product information updated 1st April 2011 and subject to change. Please contact Sales for the latest prices and availability.

COMMERCIAL GEARS

Machined Delrin Conical Bevel Gears α 20° PA

1:1 Ratio

ZB



Torque and Power	20 teeth at 1000 rpm			
	3 MOD	4 MOD	5 MOD	6 MOD
Torque (Nm)	1.93	2.84	5.00	8.00
Power (kW)	0.20	0.30	0.54	0.85

Discounts: 6+ -5% 20+ -10% 40+ -15% 60+ -20% 100+ -25%

Part Number	Teeth Z	Mod	ØP	E	ØD	ØA	ØM	F	G	H	Screw R	T	Price Each 1 - 5
ZB3-16	16	3.0	48.00	44.00	52.24	15	40.00	29.08	16.00	11.00	M5	8.00	£51.25
ZB3-19	19	3.0	57.00	49.00	61.24	16	50.00	31.01	17.02	13.00	M5	9.00	£63.56
ZB3-26	26	3.0	78.00	65.00	82.24	18	64.00	40.03	19.03	18.00	M6	10.00	£82.48
ZB3-30	30	3.0	90.00	68.50	94.24	20	76.00	39.65	16.51	21.00	M6	8.00	£98.44
ZB4-16	16	4.0	64.00	55.50	69.66	15	50.00	35.81	16.49	15.00	M5	8.00	£63.63
ZB4-19	19	4.0	76.00	65.00	81.66	18	62.50	41.43	20.24	18.00	M6	10.00	£92.98
ZB4-26	26	4.0	104.00	82.00	109.66	22	85.00	48.69	20.50	24.00	M6	10.00	£112.29
ZB4-30	30	4.0	120.00	90.00	125.66	25	102.00	51.51	21.00	28.00	M8	11.00	£118.38
ZB5-16	16	5.0	80.00	70.00	87.10	18	60.00	46.13	20.00	20.00	M8	11.00	£110.28
ZB5-20	20	5.0	100.00	80.00	107.10	20	80.00	49.04	21.50	24.00	M8	12.00	£117.24
ZB5-25	25	5.0	125.00	100.00	132.10	25	80.00	59.47	24.00	28.00	M10	14.00	£124.45
ZB5-30	30	5.0	150.00	114.00	157.10	30	100.00	65.87	26.00	35.00	M10	15.00	£130.50
ZB6-16	16	6.0	96.00	80.00	104.52	25	75.00	50.10	22.00	22.00	M10	12.00	£135.50
ZB6-20	20	6.0	120.00	90.00	128.52	30	96.00	52.32	18.50	28.00	M10	12.00	£141.68
ZB6-25	25	6.0	150.00	115.00	158.52	35	100.00	67.29	24.00	35.00	M10	14.00	£147.98
ZB6-30	30	6.0	180.00	130.00	188.52	35	120.00	72.24	28.00	42.00	M10	16.00	£157.25

Material

Delrin.

Operating Temperature Range: -50° to +80°C

Note: Two complementary bevel gears are required to form 1 pair

Options

Different number of teeth

Other material

Other bores, fixings, etc.

+44 (0)1246 455500

+44 (0)1246 455522

ondrives

sales@ondrives.com

www.ondrives.com

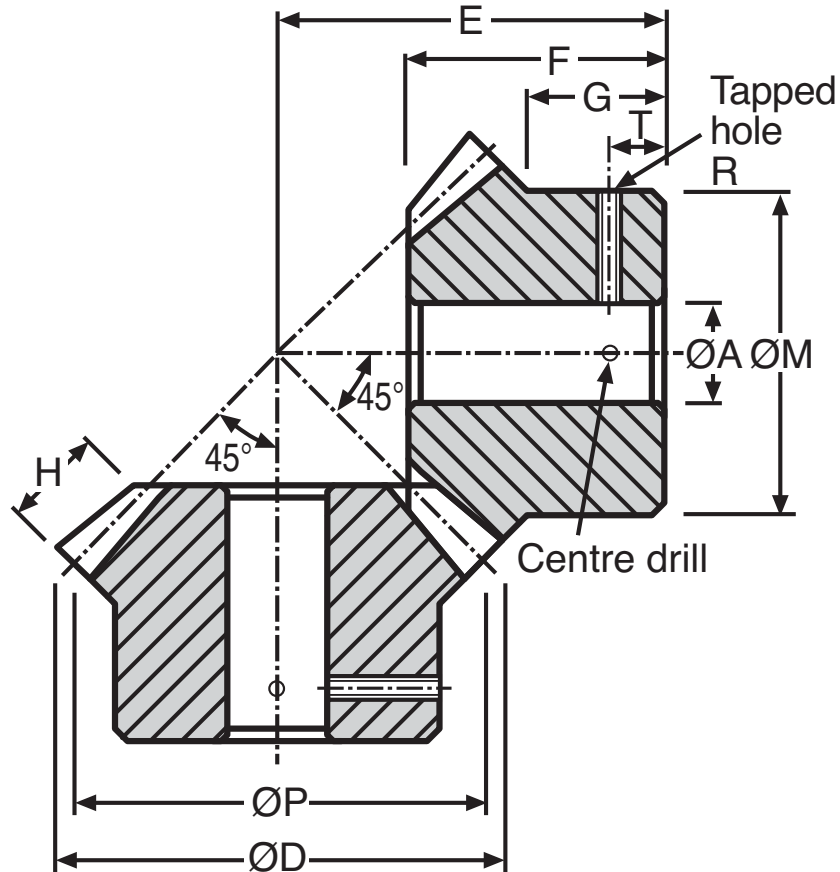
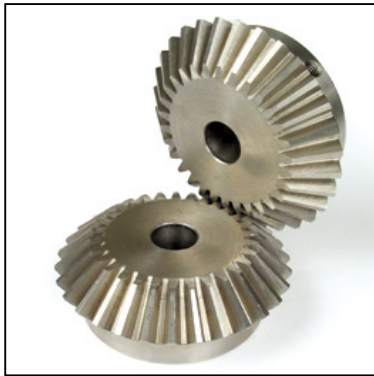
Product information updated 1st April 2011 and subject to change. Please contact Sales for the latest prices and availability.

SSB

COMMERCIAL GEARS

Machined Stainless Steel Bevel Gears α 20° PA

1:1 Ratio



Torque and Power	20 teeth at 1000 rpm					
	0.8 MOD	1.0 MOD	1.25 MOD	1.5 MOD	2.0 MOD	2.5 MOD
Torque (Nm)	0.140	0.57	0.71	0.940	2.20	4.30
Power (kW)	0.015	0.03	0.08	0.097	0.23	0.45

Discounts: 6+ -5% 20+ -10% 40+ -15% 60+ -20% 100+ -25%

Part Number	Teeth Z	Mod	ØP	E	ØD	ØA	ØM	F	G	H	Screw R	T	Price Each 1 - 5
SSB0.8-16	16	0.8	12.80	20.00	13.93	6	10	16.00	12.21	3.00	M3	7.00	£30.31
SSB0.8-25	25	0.8	20.00	20.00	21.13	6	16	13.35	8.00	4.24	M3	5.00	£32.88
SSB0.8-30	30	0.8	24.00	20.00	25.13	6	20	11.96	6.00	5.09	M3	4.00	£35.53
SSB1-20	20	1.0	20.00	25.00	21.41	8	18	18.45	14.00	4.24	M4	8.00	£36.19
SSB1-30	30	1.0	30.00	25.00	31.41	8	26	14.95	8.00	6.35	M4	5.00	£41.14
SSB1.25-20	20	1.25	25.00	23.00	26.70	8	22	15.27	9.00	6.00	M4	3.00	£38.01
SSB1.25-30	30	1.25	37.50	36.00	39.30	10	30	23.47	13.50	8.00	M4	5.00	£43.08
SSB1.5-20	20	1.5	30.00	35.00	32.12	10	26	25.17	18.00	6.35	M4	10.00	£39.23
SSB1.5-30	30	1.5	45.00	35.00	47.12	10	38	19.92	9.00	9.50	M4	5.00	£48.28
SSB2-20	20	2.0	40.00	42.00	43.00	12	34	29.00	19.00	8.50	M5	10.00	£45.90
SSB2-30	30	2.0	60.00	42.00	63.00	12	50	21.87	7.00	12.70	M5	4.00	£57.48
SSB2.5-16	16	2.5	40.00	50.00	43.50	15	35	36.80	27.50	8.00	M5	15.00	£46.93
SSB2.5-25	25	2.5	62.50	50.00	66.00	15	55	30.50	15.00	15.00	M5	8.00	£66.58

Material

Stainless Steel 304L.

Options

Different number of teeth
Other material
Other bores, fixings, etc.

Note: Two complementary bevel gears are required to form 1 pair

+44 (0)1246 455500

+44 (0)1246 455522

ondrives

sales@ondrives.com

www.ondrives.com

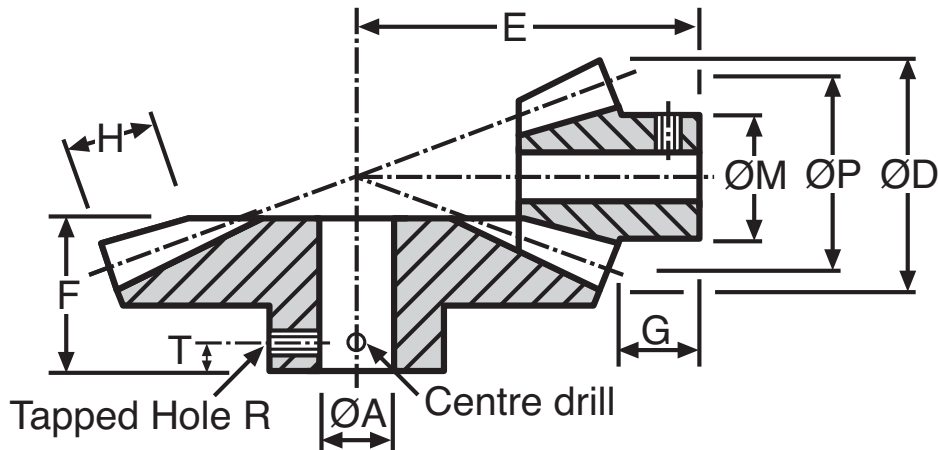
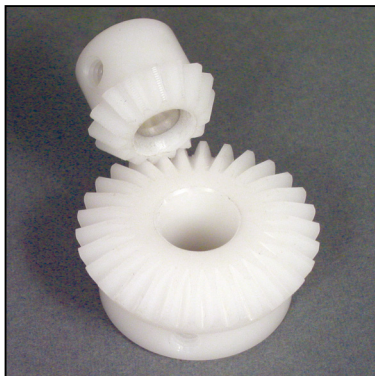
Product information updated 1st April 2011 and subject to change. Please contact Sales for the latest prices and availability.

COMMERCIAL GEARS

Z-B

Machined Delrin Bevel Gears $\alpha 20^\circ$ PA

2:1, 3:1 & 4:1 Ratios



Torque and Power	20 teeth at 1000 rpm					
	0.8 MOD	1.0 MOD	1.25 MOD	1.5 MOD	2.0 MOD	2.5 MOD
Torque (Nm)	0.030	0.120	0.150	0.20	0.46	0.91
Power (kW)	0.003	0.013	0.016	0.02	0.05	0.09

Discounts: 6+ -5% 30+ -10% 100+ -15% 400+ -20% 1000+ -25%

Part Number	Teeth Z	Mod	ØP	E	ØD	ØA	ØM	F	G	H	Screw R	T	Price Each 1-5
2:1 RATIO													
ZDB0.8-15	15	0.8	12.00	20.00	13.93	6	10	11.90	7.50	4.02	M3	3.50	£11.58
ZDB0.8-30	30	0.8	24.00	14.00	24.64	8	20	10.08	5.50	4.02	M3	3.50	£13.68
ZDB1-15	15	1.0	15.00	24.00	17.42	8	14	13.87	8.76	5.03	M4	4.00	£13.13
ZDB1-30	30	1.0	30.00	18.00	30.58	10	25	13.11	7.00	5.03	M4	4.00	£16.15
ZDB1.5-15	15	1.5	22.50	35.00	26.12	10	21	19.84	12.13	7.55	M4	5.00	£18.23
ZDB1.5-30	30	1.5	45.00	27.00	45.87	10	30	19.66	11.00	7.55	M4	5.00	£18.33
ZDB2-15	15	2.0	30.00	45.00	34.83	12	28	24.76	14.86	10.06	M5	7.50	£15.85
ZDB2-30	30	2.0	60.00	35.00	61.16	12	40	25.21	14.00	10.06	M5	8.00	£22.03
ZDB2.5-15	15	2.5	37.50	54.00	43.54	15	32	29.51	16.51	13.53	M5	8.00	£21.66
ZDB2.5-30	30	2.5	75.00	41.50	76.45	15	50	29.31	13.31	13.53	M5	7.00	£27.39
3:1 RATIO													
ZTB0.8-15	15	0.8	12.00	28.00	14.14	6	10	15.63	9.67	5.69	M3	5.00	£10.27
ZTB0.8-45	45	0.8	36.00	20.00	36.30	8	28	16.07	8.00	5.69	M3	4.00	£15.45
ZTB1-15	15	1.0	15.00	32.00	17.67	8	13	16.54	9.18	7.12	M4	4.50	£11.16
ZTB1-45	45	1.0	45.00	24.00	45.37	10	40	19.09	10.00	7.12	M4	5.00	£16.55
ZTB1.5-15	15	1.5	22.50	45.00	26.51	10	18	21.80	10.51	10.67	M4	5.00	£11.44
ZTB1.5-45	45	1.5	67.50	32.00	68.06	15	50	24.63	12.00	10.67	M4	6.00	£18.79
4:1 RATIO													
ZFB0.8-15	15	0.8	12.00	35.00	14.23	6	10	18.07	10.58	7.10	M3	5.00	£10.98
ZFB0.8-60	60	0.8	48.00	20.00	48.22	8	30	15.98	8.00	7.10	M3	4.00	£16.85
ZFB1-15	15	1.0	15.00	45.00	17.79	8	13	24.22	14.73	9.28	M4	7.00	£12.26
ZFB1-60	60	1.0	60.00	30.00	60.27	10	40	25.08	12.00	9.28	M4	6.00	£17.73
ZFB1.5-15	15	1.5	22.50	60.00	26.69	10	18	28.82	12.08	13.91	M4	6.00	£12.79
ZFB1.5-60	60	1.5	60.00	35.00	90.41	15	50	27.61	12.00	13.91	M4	6.00	£19.86

Material

Delrin.

Operating Temperature Range: -50° to $+80^\circ\text{C}$

Note: Two complementary bevel gears are required to form 1 pair

Options

Different number of teeth

Other material

Other bores, fixings, etc.

+44 (0)1246 455500

+44 (0)1246 455522

ondrives

sales@ondrives.com

www.ondrives.com

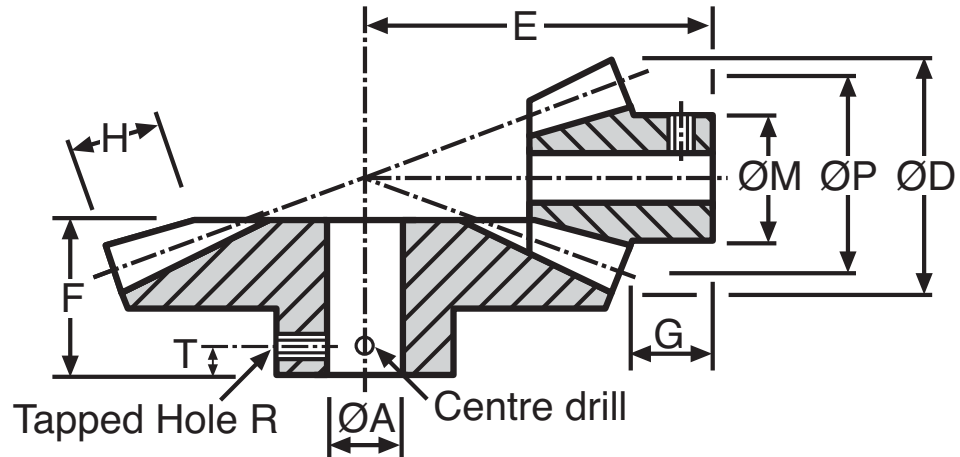
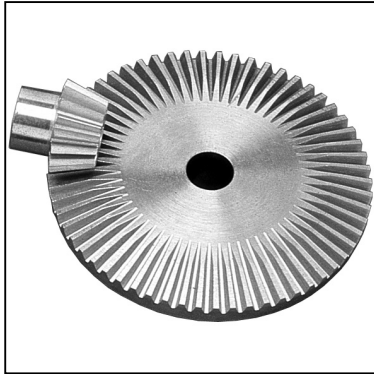
Product information updated 1st April 2011 and subject to change. Please contact Sales for the latest prices and availability.

SS-B

COMMERCIAL GEARS

Machined Stainless Steel Bevel Gears α 20° PA

2:1, 3:1 & 4:1 Ratios



Torque and Power	20 teeth at 1000 rpm					
	0.8 MOD	1.0 MOD	1.25 MOD	1.5 MOD	2.0 MOD	2.5 MOD
Torque (Nm)	0.140	0.57	0.71	0.94	2.20	4.30
Power (kW)	0.015	0.03	0.08	0.09	0.23	0.45

Discounts: 6+ -12% 20+ -25%

Part Number	Teeth Z	Mod	ØP	E	ØD	ØA	ØM	F	G	H	Screw R	T	Price Each 1 - 5
2:1 RATIO													
SSDB0.8-15	15	0.8	12.00	20.00	13.93	6	10	11.90	7.50	4.02	M3	3.50	£29.10
SSDB0.8-30	30	0.8	24.00	14.00	24.64	8	20	10.08	5.50	4.02	M3	3.50	£37.47
SSDB1-15	15	1.0	15.00	24.00	17.42	8	14	13.87	8.76	5.03	M4	4.00	£36.08
SSDB1-30	30	1.0	30.00	18.00	30.58	10	25	13.11	7.00	5.03	M4	4.00	£44.37
SSDB1.5-15	15	1.5	22.50	35.00	26.12	10	21	19.84	12.13	7.55	M4	5.00	£39.28
SSDB1.5-30	30	1.5	45.00	27.00	45.87	10	30	19.66	11.00	7.55	M4	5.00	£50.43
SSDB2-15	15	2.0	30.00	45.00	34.83	12	28	24.76	14.86	10.06	M5	7.50	£43.55
SSDB2-30	30	2.0	60.00	35.00	61.16	12	40	25.21	14.00	10.06	M5	8.00	£60.38
SSDB2.5-15	15	2.5	37.50	54.00	43.54	15	32	29.51	16.51	13.53	M5	8.00	£59.49
SSDB2.5-30	30	2.5	75.00	41.50	76.45	15	50	29.31	13.31	13.53	M5	7.00	£82.65
3:1 RATIO													
SSTB0.8-15	15	0.8	12.00	28.00	14.14	6	10	15.63	9.67	5.69	M3	5.00	£27.91
SSTB0.8-45	45	0.8	36.00	20.00	36.30	8	28	16.07	8.00	5.69	M3	4.00	£42.46
SSTB1-15	15	1.0	15.00	32.00	17.67	8	13	16.54	9.18	7.12	M4	4.50	£30.67
SSTB1-45	45	1.0	45.00	24.00	45.37	10	40	19.09	10.00	7.12	M4	5.00	£45.32
SSTB1.5-15	15	1.5	22.50	45.00	26.51	10	18	21.80	10.51	10.67	M4	5.00	£31.46
SSTB1.5-45	45	1.5	67.50	32.00	68.06	15	50	24.63	12.00	10.67	M4	6.00	£51.53
4:1 RATIO													
SSFB0.8-15	15	0.8	12.00	35.00	14.23	6	10	18.07	10.58	7.10	M3	5.00	£30.11
SSFB0.8-60	60	0.8	48.00	20.00	48.22	8	30	15.98	8.00	7.10	M3	4.00	£45.69
SSFB1-15	15	1.0	15.00	45.00	17.79	8	13	24.22	14.73	9.28	M4	7.00	£33.65
SSFB1-60	60	1.0	60.00	30.00	60.27	10	40	25.08	12.00	9.28	M4	6.00	£49.03
SSFB1.5-15	15	1.5	22.50	60.00	26.69	10	18	28.82	12.08	13.91	M4	6.00	£35.17
SSFB1.5-60	60	1.5	60.00	35.00	90.41	15	50	27.61	12.00	13.91	M4	6.00	£54.42

Material

Stainless Steel 304L.

Options

Different number of teeth
 Other material
 Other bores, fixings, etc.

Note: Two complementary bevel gears are required to form 1 pair

+44 (0)1246 455500
 +44 (0)1246 455522

ondrives

sales@ondrives.com
 www.ondrives.com

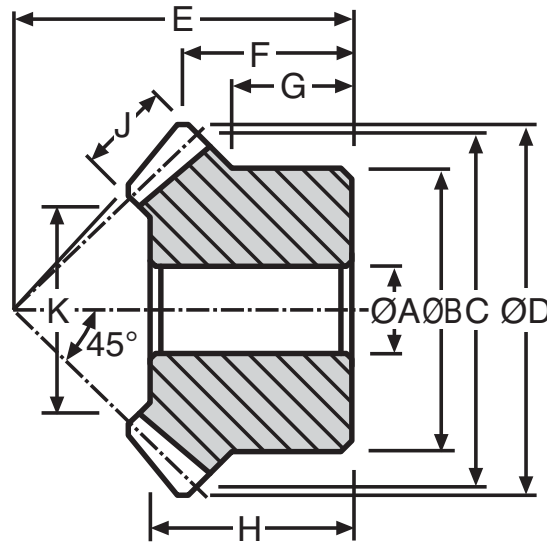
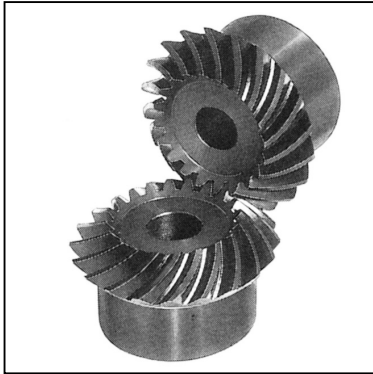
Product information updated 1st April 2011 and subject to change. Please contact Sales for the latest prices and availability.

COMMERCIAL GEARS

SMS

Machined Spiral Bevel Gears α 20° PA

1:1 Ratio



Discounts: 6+ -12% 20+ -25%

Part Number RH	Part Number LH	Teeth Z	Mod	ØA	B	C	D	E	F	G	H	J	K	Weight (kg)	Price Each 1 - 5
SMS1-20R	SMS1-20L	20	1.0	6	16	20.0	21.2	20	10.6	8.0	12	5	12	0.020	£27.56
SMS1-25R	SMS1-25L	25	1.0	8	20	25.0	26.2	23	11.1	8.0	14	6	16	0.050	£38.96
SMS1-30R	SMS1-30L	30	1.0	8	24	30.0	31.2	28	13.6	10.0	16	6	20	0.050	£52.23
SMS1.25-20R	SMS1.25-20L	20	1.25	8	22	25.0	26.5	23	11.3	9.0	13	6	15	0.040	£40.42
SMS1.25-25R	SMS1.25-25L	25	1.25	8	25	31.2	32.8	28	13.1	9.3	18	7	20	0.060	£51.13
SMS1.25-30R	SMS1.25-30L	30	1.25	10	30	37.5	39.0	36	18.0	13.5	21	8	25	0.130	£64.00
SMS1.5-20R	SMS1.5-20L	20	1.5	8	26	30.0	31.8	30	15.9	13.0	19	8	17	0.070	£43.64
SMS1.5-25R	SMS1.5-25L	25	1.5	10	30	37.5	39.3	34	16.2	11.5	19	9	23	0.120	£58.84
SMS1.5-30R	SMS1.5-30L	30	1.5	10	35	45.0	46.8	43	21.4	16.0	25	10	29	0.200	£73.58
SMS2-20R	SMS2-20L	25	2.0	12	40	50.0	52.4	40	16.2	10.0	20	12	31	0.20	£49.63
SMS2-25R	SMS2-25L	30	2.0	12	45	60.0	62.4	50	21.2	12.5	25	12	41	0.37	£122.62
SMS2-30R	SMS2-30L	20	2.5	14	42	50.0	52.9	48	24.5	19.0	29	12	31	0.30	£156.68
SMS2.5-20R	SMS2.5-20L	25	2.5	16	50	62.5	65.5	50	20.3	12.5	26	15	59	0.40	£115.81
SMS2.5-25R	SMS2.5-25L	30	2.5	16	60	75.0	78.0	62	26.0	17.0	32	15	51	0.77	£149.88
SMS2.5-30R	SMS2.5-30L	30	2.5	16	60	75.0	78.0	62	26.0	17.0	32	15	51	0.77	£188.03
SMS3-20R	SMS3-20L	20	3.0	16	50	60.0	63.7	58	29.9	23.0	35	15	36	0.50	£156.68
SMS3-25R	SMS3-25L	25	3.0	20	60	75.0	78.8	60	24.4	15.0	32	20	44	0.70	£183.93
SMS3-30R	SMS3-30L	30	3.0	20	70	90.0	93.6	75	31.8	20.0	40	20	59	1.30	£245.26

Material

Steel S45C. Induction hardened teeth. Non-modifiable gears.

35° Spiral angle, 45° Pitch angle.

Face Angle: 20 teeth = 49°12', 25 teeth = 48°22', 30 teeth = 47°48'

Right hand gear, left hand pinion - must be purchased as pairs

+44 (0)1246 455500

+44 (0)1246 455522

ondrives

sales@ondrives.com

www.ondrives.com

Product information updated 1st April 2011 and subject to change. Please contact Sales for the latest prices and availability.