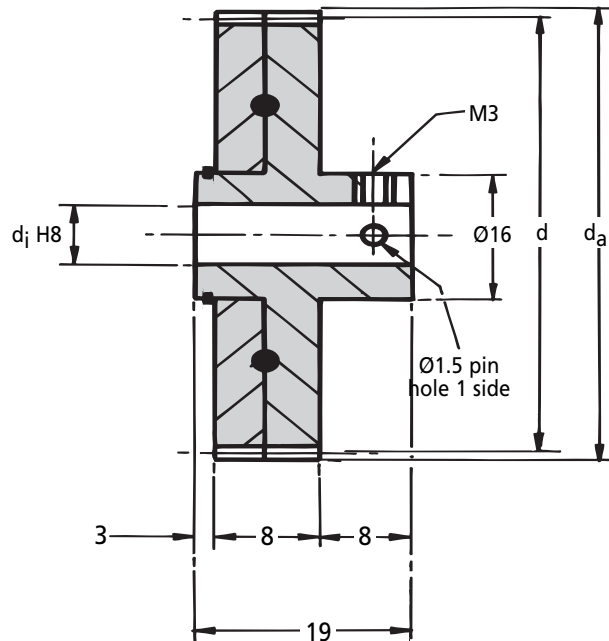
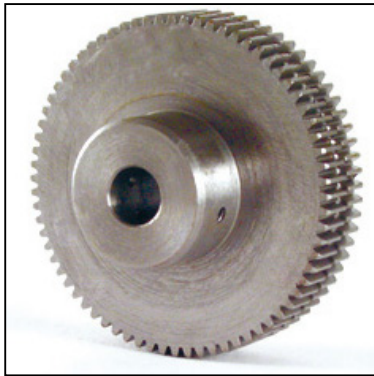


AB
0.5-1.0m_n

COMMERCIAL GEARS

0.5-1.0 Module Anti-Backlash Spur Gear α 20° PA

Steel 214M15



Discounts: 6+ -12% 20+ -25% 40+ -33% 60+ -37%

Part Number	Module <i>m_n</i>	No. of Teeth <i>z</i>	Ref. Dia. <i>d</i>	Tip Dia. <i>d_a</i>	Bore H8 <i>d_j</i>	Price Each 1 - 5
AB0.5-56	0.5	56	28.00	29.00	6.00	£45.92
AB0.5-60	0.5	60	30.00	31.00	6.00	£46.31
AB0.5-72	0.5	72	36.00	37.00	6.00	£46.81
AB0.5-84	0.5	84	42.00	43.00	6.00	£47.21
AB0.5-96	0.5	96	48.00	49.00	6.00	£47.54
AB0.5-108	0.5	108	54.00	55.00	6.00	£48.23
AB0.5-120	0.5	120	60.00	61.00	6.00	£49.12
AB0.5-132	0.5	132	66.00	67.00	6.00	£50.37
AB0.5-144	0.5	144	72.00	73.00	6.00	£50.80
AB0.8-48	0.8	48	38.40	40.00	6.00	£46.95
AB0.8-50	0.8	50	40.00	41.60	6.00	£47.93
AB0.8-64	0.8	64	51.20	52.80	6.00	£48.44
AB0.8-72	0.8	72	57.60	59.20	6.00	£48.89
AB0.8-80	0.8	80	64.00	65.60	6.00	£49.69
AB0.8-88	0.8	88	70.40	72.00	6.00	£50.51
AB0.8-96	0.8	96	76.80	78.40	6.00	£50.97
AB0.8-100	0.8	100	80.00	81.60	6.00	£51.62
AB1-48	1.0	48	48.00	50.00	6.00	£49.40
AB1-60	1.0	60	60.00	62.00	6.00	£53.24
AB1-72	1.0	72	72.00	74.00	6.00	£55.18
AB1-80	1.0	80	80.00	82.00	6.00	£57.67
AB1-84	1.0	84	84.00	86.00	6.00	£59.33

Material

Steel 214M15.

Options

Number of teeth
Different materials
Other sizes up to 4 Mod.

Modifications

Boring out, Keyways, Tapped Holes, Pin Holes.

Installation

Fix with M3 set screw
Ø1.5mm pin hole.

Performance

Torque & Power Rating (50 teeth at 1000rpm.): 0.0658Nm/0.0068kW (0.5Mod), 0.1482Nm/0.0156kW (0.8Mod), 0.2636Nm/0.0276kW (1Mod).

+44 (0)1246 455500
+44 (0)1246 455522

ondrives

sales@ondrives.com
www.ondrives.com

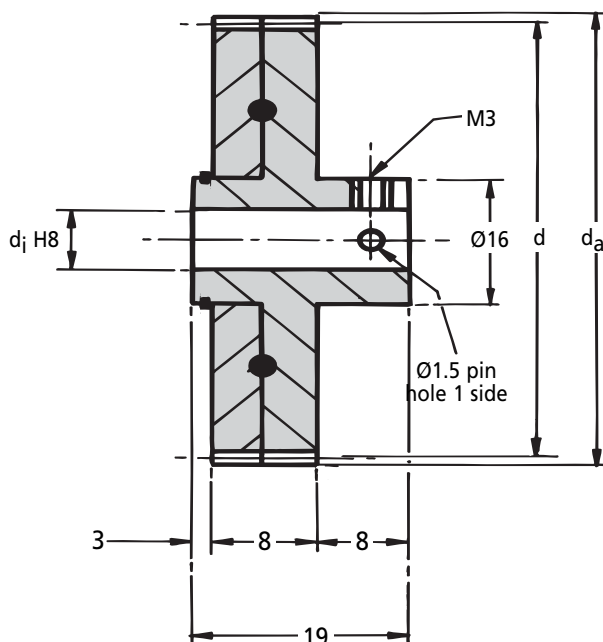
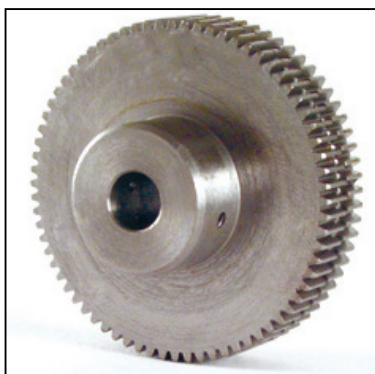
Product information updated 1st April 2011 and subject to change. Please contact Sales for the latest prices and availability.

COMMERCIAL GEARS

0.5-1.0 Module Anti-Backlash Spur Gear α 20° PA

Stainless Steel 303S21

ABS
0.5-1.0m_n



Discounts: 6+ -12% 20+ -25% 40+ -33% 60+ -37%

Part Number	Module m_n	No. of Teeth z	Ref. Dia. d	Tip Dia. d_a	Bore H8 d_i	Price Each 1 - 5
ABS0.5-56	0.5	56	28.00	29.00	6.00	£60.33
ABS0.5-60	0.5	60	30.00	31.00	6.00	£64.69
ABS0.5-72	0.5	72	36.00	37.00	6.00	£68.65
ABS0.5-84	0.5	84	42.00	43.00	6.00	£69.09
ABS0.5-96	0.5	96	48.00	49.00	6.00	£72.99
ABS0.5-108	0.5	108	54.00	55.00	6.00	£76.94
ABS0.5-120	0.5	120	60.00	61.00	6.00	£80.86
ABS0.5-132	0.5	132	66.00	67.00	6.00	£84.80
ABS0.5-144	0.5	144	72.00	73.00	6.00	£88.83
ABS0.8-48	0.8	48	38.40	40.00	6.00	£67.66
ABS0.8-50	0.8	50	40.00	41.60	6.00	£69.09
ABS0.8-64	0.8	64	51.20	52.80	6.00	£72.57
ABS0.8-72	0.8	72	57.60	59.20	6.00	£77.03
ABS0.8-80	0.8	80	64.00	65.60	6.00	£80.07
ABS0.8-88	0.8	88	70.40	72.00	6.00	£83.01
ABS0.8-96	0.8	96	76.80	78.40	6.00	£84.56
ABS0.8-100	0.8	100	80.00	81.60	6.00	£87.60
ABS1-48	1.0	48	48.00	50.00	6.00	£85.60
ABS1-60	1.0	60	60.00	62.00	6.00	£88.97
ABS1-72	1.0	72	72.00	74.00	6.00	£90.67
ABS1-80	1.0	80	80.00	82.00	6.00	£93.72
ABS1-84	1.0	84	84.00	86.00	6.00	£98.00

Material

Stainless Steel 303S21.

Options

Number of teeth
Different materials
Other sizes up to 4 Mod.

Modifications

Boring out, Keyways, Tapped Holes, Pin Holes.

Installation

Fix with M3 set screw
Ø1.5mm pin hole.

Performance

Torque & Power Rating (50 teeth at 1000rpm.): 0.0658Nm/0.0068kW (0.5Mod), 0.1482Nm/0.0156kW (0.8Mod), 0.2636Nm/0.0276kW (1Mod).

+44 (0)1246 455500
+44 (0)1246 455522

ondrives

sales@ondrives.com
www.ondrives.com

Product information updated 1st April 2011 and subject to change. Please contact Sales for the latest prices and availability.