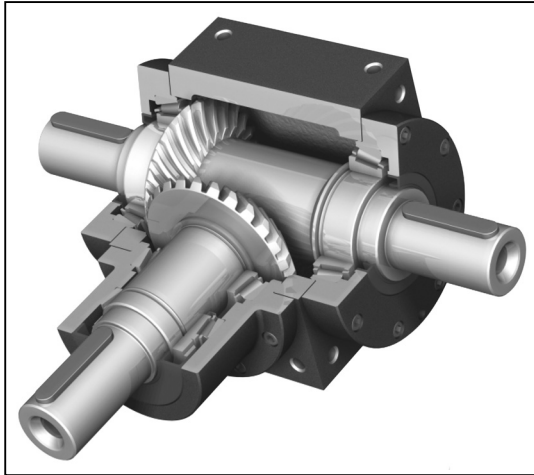


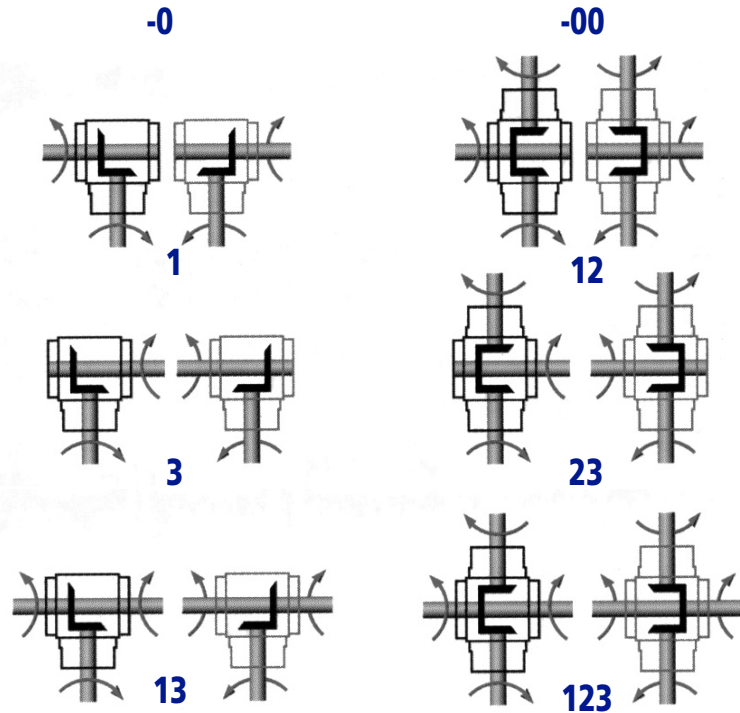
**VX-L**

# GEARBOXES

## Series L Reinforced Design Power Gearbox

Sizes **VX75 to VX280 1:1**

### Shaft Arrangements



right view in each case - mirrored presentation

**Discounts: 5+ -5%**

| Part Number | a   | Øb h7 | Øc  | Ød1 k6 | Ød2 k6 | e     | f1  | f2  | g1 | g2   | h     | k   | l1  | l2  | Price Each 1 - 4 |
|-------------|-----|-------|-----|--------|--------|-------|-----|-----|----|------|-------|-----|-----|-----|------------------|
| VX75L0-0    | 75  | 73    | 72  | 20     | 20     | 37.5  | 125 | 93  | 15 | 18.5 | 52.5  | M6  | 35  | 35  | £754.05          |
| VX75L0-00   | 75  | 73    | 72  | 20     | 20     | 37.5  | 125 | 93  | 15 | 18.5 | 52.5  | M6  | 35  | 35  | £1073.96         |
| VX90L0-0    | 90  | 88    | 86  | 25     | 25     | 45.0  | 140 | 105 | 15 | 18.0 | 55.0  | M6  | 40  | 40  | £822.62          |
| VX90L0-00   | 90  | 88    | 86  | 25     | 25     | 45.0  | 140 | 105 | 15 | 18.0 | 55.0  | M6  | 40  | 40  | £1233.94         |
| VX110L0-0   | 110 | 108   | 106 | 35     | 35     | 55.0  | 175 | 140 | 15 | 23.0 | 60.0  | M8  | 60  | 60  | £1062.55         |
| VX110L0-00  | 110 | 108   | 106 | 35     | 35     | 55.0  | 175 | 140 | 15 | 23.0 | 60.0  | M8  | 60  | 60  | £1576.71         |
| VX140L0-0   | 140 | 135   | 104 | 40     | 40     | 70.0  | 215 | 167 | 15 | 25.0 | 75.0  | M10 | 70  | 70  | £1439.60         |
| VX140L0-00  | 140 | 135   | 104 | 40     | 40     | 70.0  | 215 | 167 | 15 | 25.0 | 75.0  | M10 | 70  | 70  | £2033.74         |
| VX170L0-0   | 170 | 165   | 128 | 50     | 50     | 85.0  | 255 | 197 | 15 | 30.0 | 90.0  | M12 | 80  | 80  | £1770.95         |
| VX170L0-00  | 170 | 165   | 128 | 50     | 50     | 85.0  | 255 | 197 | 15 | 30.0 | 90.0  | M12 | 80  | 80  | £2399.36         |
| VX210L0-0   | 210 | 205   | 160 | 60     | 60     | 105.0 | 320 | 252 | 20 | 35.0 | 105.0 | M16 | 110 | 110 | £2262.26         |
| VX210L0-00  | 210 | 205   | 160 | 60     | 60     | 105.0 | 320 | 252 | 20 | 35.0 | 105.0 | M16 | 110 | 110 | £2856.40         |
| VX240L0-0   | 240 | 235   | 180 | 70     | 70     | 120.0 | 360 | 282 | 25 | 40.0 | 120.0 | M16 | 120 | 120 | £3518.77         |
| VX240L0-00  | 240 | 235   | 180 | 70     | 70     | 120.0 | 360 | 282 | 25 | 40.0 | 120.0 | M16 | 120 | 120 | £3816.16         |
| VX280L0-0   | 280 | 275   | 200 | 80     | 80     | 140.0 | 425 | 338 | 25 | 46.0 | 135.0 | M16 | 150 | 150 | £4798.77         |
| VX280L0-00  | 280 | 275   | 200 | 80     | 80     | 140.0 | 425 | 338 | 25 | 46.0 | 135.0 | M16 | 150 | 150 | £5667.13         |

### Material

Casing: Spheroidal graphite iron.

### Other Info.

Ratio: 1:1 only

### Ordering Info.

Part No.

VX \* \* \* \* - \*

VX 7 5 L 1 - 1

Size \_\_\_\_\_ Shaft Arrangement \_\_\_\_\_  
 Series \_\_\_\_\_ Ratio \_\_\_\_\_

+44 (0)1246 455500

+44 (0)1246 455522

**ondrives**

sales@ondrives.com

www.ondrives.com

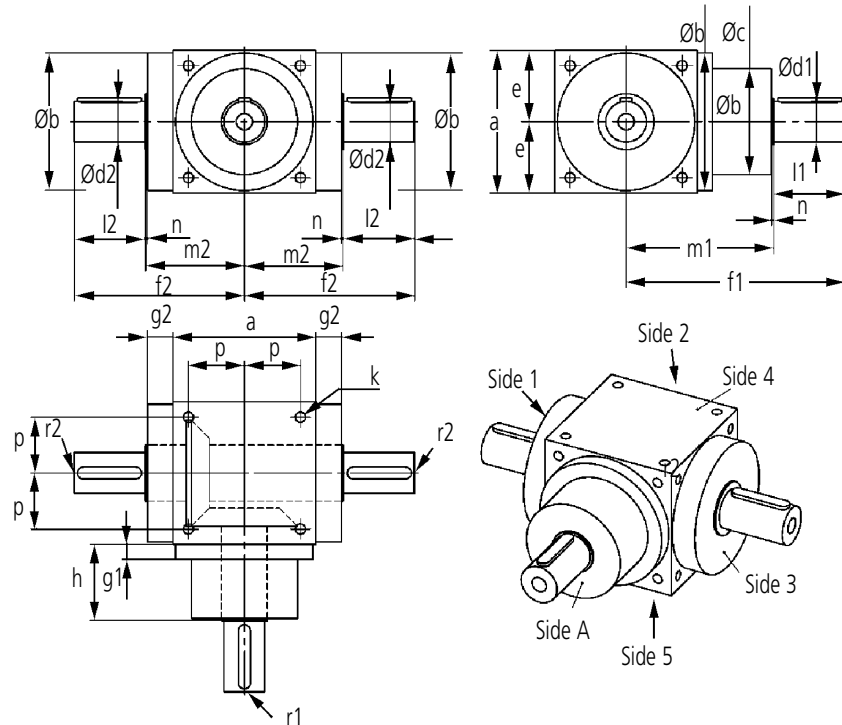
Product information updated 1st April 2011 and subject to change. Please contact Sales for the latest prices and availability.

# GEARBOXES

## Series L Reinforced Design Power Gearbox

Sizes **VX75 to VX280 1:1**

**VX-L**



| Part Number | m1  | m2  | n | p   | r1/r2 | s        | t | $\varnothing u$ g6 | $\varnothing v$ | Key*      |
|-------------|-----|-----|---|-----|-------|----------|---|--------------------|-----------------|-----------|
| VX75L0-0    | 90  | 58  | 2 | 30  | M6    | 4x M5x9  | 8 | 72.9               | 62              | 6x6x28    |
| VX75L0-00   | 90  | 58  | 2 | 30  | M6    | 4x M5x9  | 8 | 72.9               | 62              | 6x6x28    |
| VX90L0-0    | 100 | 65  | 2 | 36  | M6    | 4x M5x12 | 8 | 87.0               | 76              | 8x7x32    |
| VX90L0-00   | 100 | 65  | 2 | 36  | M6    | 4x M5x12 | 8 | 87.0               | 76              | 8x7x32    |
| VX110L0-0   | 115 | 80  | 2 | 44  | M8    | 4x M6x12 | 8 | 107.0              | 95              | 10x8x50   |
| VX110L0-00  | 115 | 80  | 2 | 44  | M8    | 4x M6x12 | 8 | 107.0              | 95              | 10x8x50   |
| VX140L0-0   | 145 | 97  | 2 | 55  | M10   | -        | - | -                  | -               | 12x8x63   |
| VX140L0-00  | 145 | 97  | 2 | 55  | M10   | -        | - | -                  | -               | 12x8x63   |
| VX170L0-0   | 175 | 117 | 2 | 67  | M12   | -        | - | -                  | -               | 14x9x70   |
| VX170L0-00  | 175 | 117 | 2 | 67  | M12   | -        | - | -                  | -               | 14x9x70   |
| VX210L0-0   | 210 | 142 | 2 | 85  | M16   | -        | - | -                  | -               | 18x11x100 |
| VX210L0-00  | 210 | 142 | 2 | 85  | M16   | -        | - | -                  | -               | 18x11x100 |
| VX240L0-0   | 240 | 162 | 2 | 95  | M16   | -        | - | -                  | -               | 20x12x110 |
| VX240L0-00  | 240 | 162 | 2 | 95  | M16   | -        | - | -                  | -               | 20x12x110 |
| VX280L0-0   | 275 | 188 | 2 | 110 | M16   | -        | - | -                  | -               | 20x12x140 |
| VX280L0-00  | 275 | 188 | 2 | 110 | M16   | -        | - | -                  | -               | 20x12x140 |

\*acc to DIN 6885/1