

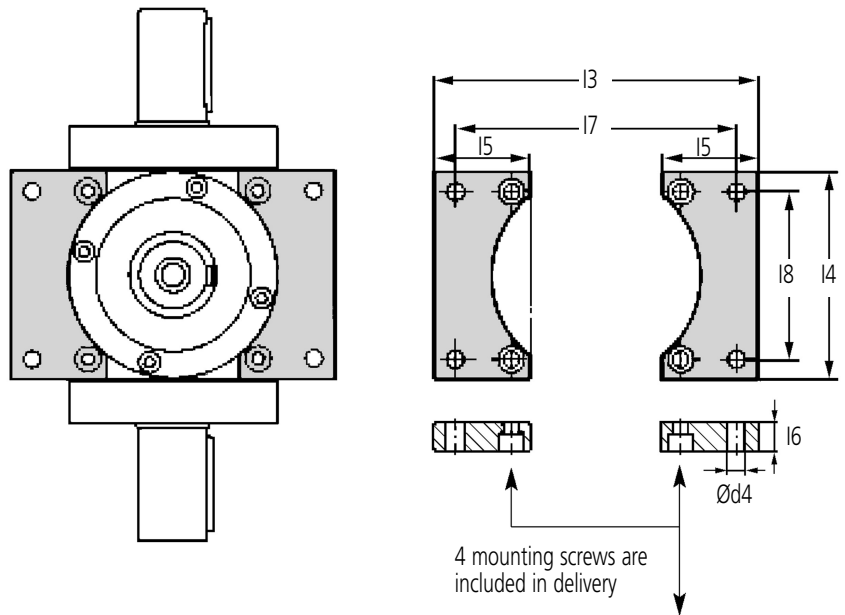
GEARBOXES

Power Gearbox Accessories

VP-UF

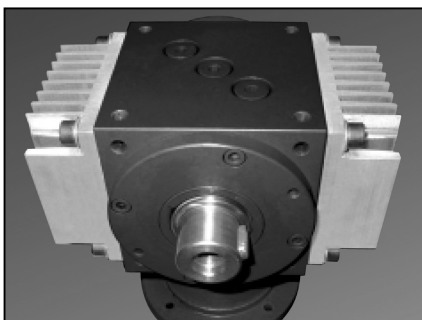
Fixing Accessories

As the power density of the Power Gear is high, it must be mounted firmly to its base. This can be performed either by mounting it using the tapped holes provided for this purpose in the housing faces or by specially designed mounting feet that facilitate the mounting procedure. The gearbox can thus be attached on either side. Including the necessary mounting screws, the mounting feet are always supplied as a set (2 pieces).



Discounts: 5+ -5%

| Part Number | I3 | I4 -0.5 | I5 | I6 | I7 ±0.2 | I8 ±0.2 | Ød4 | Cheese head screw DIN 912 | UL per pair kg | Price Each 1 - 4 |
|-------------|-----|---------|-----|----|---------|---------|------|---------------------------|----------------|------------------|
| VP75-UF | 122 | 75 | 40 | 12 | 108 | 60 | 6.6 | M6x12 | 0.4 | £144.70 |
| VP90-UF | 145 | 90 | 45 | 12 | 125 | 72 | 6.6 | M6x12 | 0.6 | £272.68 |
| VP110-UF | 168 | 110 | 50 | 15 | 146 | 88 | 9.0 | M8x18 | 0.9 | £289.38 |
| VP140-UF | 208 | 140 | 60 | 20 | 178 | 110 | 11.0 | M10x25 | 1.9 | £328.33 |
| VP170-UF | 250 | 170 | 70 | 20 | 215 | 134 | 14.0 | M12x25 | 2.7 | £440.74 |
| VP210-UF | 310 | 210 | 90 | 25 | 265 | 170 | 18.0 | M16x35 | 5.2 | £550.93 |
| VP240-UF | 345 | 240 | 100 | 25 | 295 | 190 | 18.0 | M16x35 | 6.5 | £584.32 |
| VP280-UF | 385 | 280 | 100 | 25 | 335 | 220 | 18.0 | M16x35 | 7.8 | £651.10 |



Shrink disc

with hollow shaft extension for friction-locked connections

Keyless shafts

without keyway for attachment via clamping connections

Gearboxes with minimum backlash

see performance tables

Oil sight glass

for additional oil control

Cooling packs

gear box equipped with aluminium cooling fins, with or without axial fan, provide for an increased heat dissipation at the gear

Please contact us.