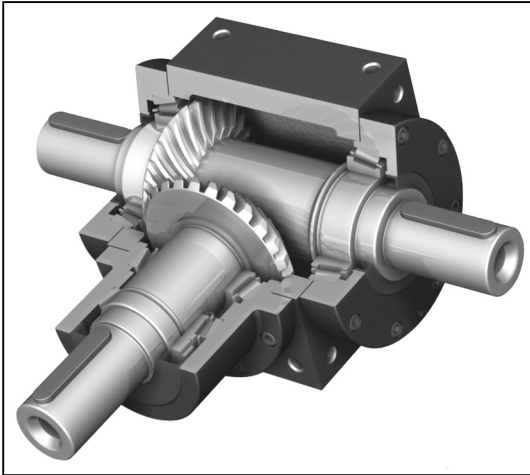


VP-L

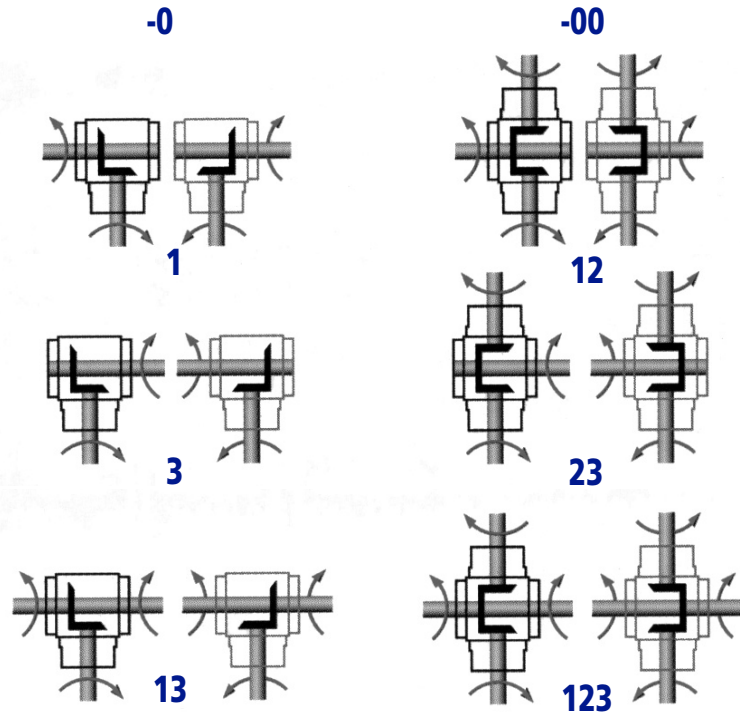
GEARBOXES

Series L Spiral Bevel Power Gearbox

Sizes **VP75 to VP280 1:1 - 5:1**



Shaft Arrangements



right view in each case - mirrored presentation

Discounts: 5+ -5%

Part Number	a	Øb h7	Øc	Ød1 k6	Ød2 k6	e	f1	f2	g1	g2	h	k	l1	l2	Price Each 1 - 4
VP75L0-0	75	73	72	16	16	37.5	120	84	15	14.5	52.5	M6	30	30	£748.34
VP75L0-00	75	73	72	16	16	37.5	120	84	15	14.5	52.5	M6	30	30	£959.72
VP90L0-0	90	88	86	18	18	45.0	135	97	15	15.0	55.0	M6	35	35	£794.06
VP90L0-00	90	88	86	18	18	45.0	135	97	15	15.0	55.0	M6	35	35	£1165.37
VP110L0-0	110	108	106	22	22	55.0	155	112	15	15.0	60.0	M8	40	40	£967.34
VP110L0-00	110	108	106	22	22	55.0	155	112	15	15.0	60.0	M8	40	40	£1399.62
VP140L0-0	140	135	104	32	32	70.0	180	137	15	15.0	60.0	M10	50	50	£1260.59
VP140L0-00	140	135	104	32	32	70.0	180	137	15	15.0	60.0	M10	50	50	£1736.66
VP170L0-0	170	165	128	40	40	85.0	215	162	15	15.0	70.0	M12	60	60	£1618.61
VP170L0-00	170	165	128	40	40	85.0	215	162	15	15.0	70.0	M12	60	60	£2167.04
VP210L0-0	210	205	160	50	50	105.0	265	202	20	20.0	85.0	M16	75	75	£2041.36
VP210L0-00	210	205	160	50	50	105.0	265	202	20	20.0	85.0	M16	75	75	£2652.65
VP240L0-0	240	235	180	55	55	120.0	300	231	25	25.0	95.0	M16	85	85	£2759.26
VP240L0-00	240	235	180	55	55	120.0	300	231	25	25.0	95.0	M16	85	85	£3602.87
VP280L0-0	280	275	200	60	60	140.0	360	276	25	25.0	110.0	M16	110	110	£4299.85
VP280L0-00	280	275	200	60	60	140.0	360	276	25	25.0	110.0	M16	110	110	£5343.39

Material

Casing: Spheroidal graphite iron.

Other Info.

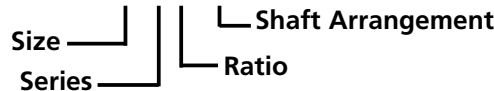
Ratios: 1:1 to 5:1.

Ordering Info.

Part No.

VP * * * * - *

VP 7 5 L 1 - 1



+44 (0)1246 455500
+44 (0)1246 455522

ondrives

sales@ondrives.com
www.ondrives.com

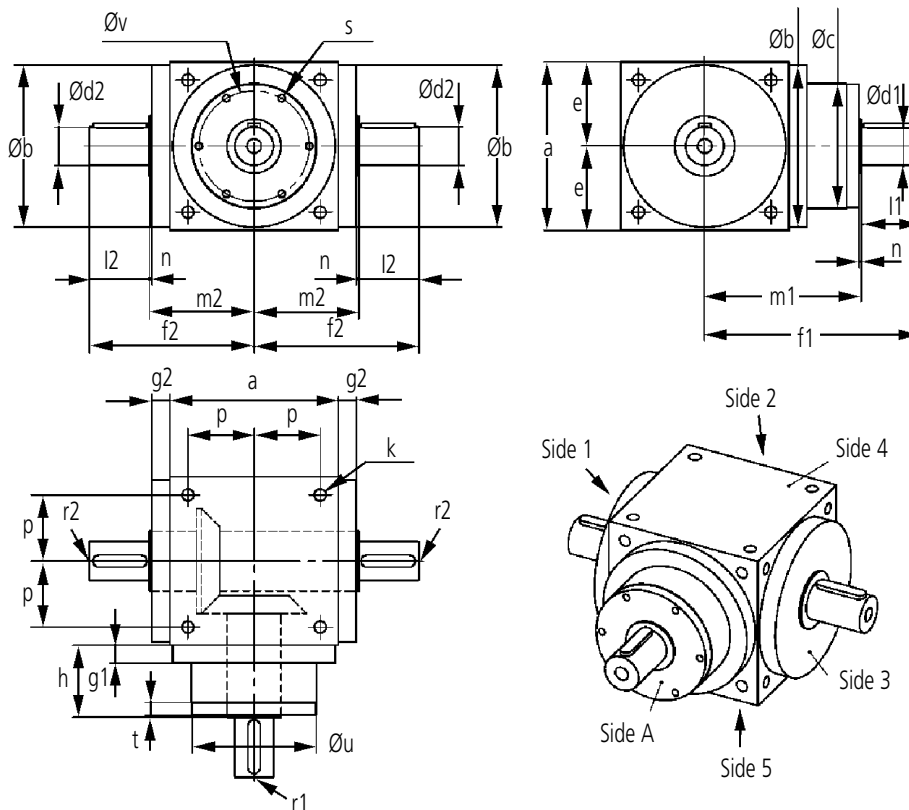
Product information updated 1st April 2011 and subject to change. Please contact Sales for the latest prices and availability.

GEARBOXES

Series L Spiral Bevel Power Gearbox

Sizes *VP75 to VP280 1:1 - 5:1*

VP-L



Part Number	m1	m2	n	p	r1/r2	s	t	$\varnothing u$ g6	$\varnothing v$	Key*
VP75L0-0	90	54	2	30	M5	4x M5x9	8	72.9	62	5x5x25
VP75L0-00	90	54	2	30	M5	4x M5x9	8	72.9	62	5x5x25
VP90L0-0	100	62	2	36	M6	4x M5x12	8	87.0	76	6x6x28
VP90L0-00	100	62	2	36	M6	4x M5x12	8	87.0	76	6x6x28
VP110L0-0	115	72	2	44	M8	4x M6x12	8	107.0	95	6x6x32
VP110L0-00	115	72	2	44	M8	4x M6x12	8	107.0	95	6x6x32
VP140L0-0	130	87	2	55	M12	6x M6x12	10	103.0	92	10x8x45
VP140L0-00	130	87	2	55	M12	6x M6x12	10	103.0	92	10x8x45
VP170L0-0	155	102	2	67	M16	6x M8x14	10	127.0	114	12x8x50
VP170L0-00	155	102	2	67	M16	6x M8x14	10	127.0	114	12x8x50
VP210L0-0	190	127	2	85	M16	6x M8x14	10	158.0	142	14x9x70
VP210L0-00	190	127	2	85	M16	6x M8x14	10	158.0	142	14x9x70
VP240L0-0	215	147	2	95	M20	6x M8x14	10	178.0	160	16x10x80
VP240L0-00	215	147	2	95	M20	6x M8x14	10	178.0	160	16x10x80
VP280L0-0	250	167	2	110	M20	6x M10x17	10	198.0	176	18x11x100
VP280L0-00	250	167	2	110	M20	6x M10x17	10	198.0	176	18x11x100

*acc to DIN 6885/1