

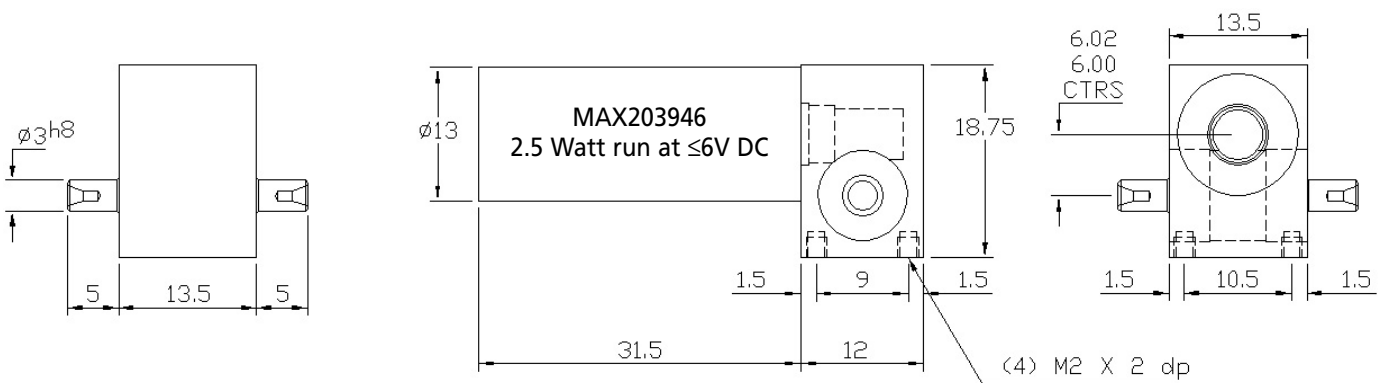
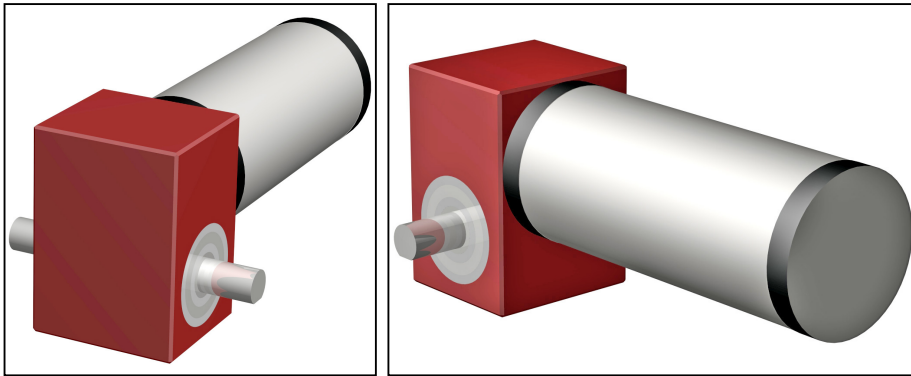
GEARBOXES

Miniature Precision Worm Gear Reducers

Fitted with Miniature DC Motor 0.036Nm

e-cad
Drawings
Available

PREM6



Discounts: 6+ -5% 20+ -10% 50+ -15% 100+ -20%

Part Number	Ratio	Rated Output Torque Nm	Fitted Motor	Price Each 1 - 5
PREM6-32	32:1	-	✘	£109.26
PREM6-32-13	32:1	0.036	MAX203946	£179.43

Part Number	Voltage (V)	No Load Speed (Rpm)	No Load Current (mA)	Nominal Current (mA)	Max Efficiency	Nominal Torque (mNm)	Moment of Inertia (gcm ²)	Price Each 1 - 5
MAX203946	12	11,100	7	272	84%	2.6	0.507	£111.93

Gearbox Case: Aluminium 6082 T6

Gears: Steel 817M40 T condition

Motor

2 Pole Permanent Magnet Motor

Weight: 24g

Ambient Temperature Range: -20°C to +65°C (Max. Motor Temperature +85°C)

+44 (0)1246 455500

+44 (0)1246 455522

ondrives

sales@ondrives.com

www.ondrives.com

Product information updated 1st June 2010 and subject to change. Please contact Sales for the latest prices and availability.