

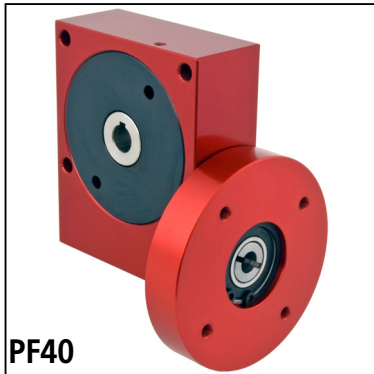
GEARBOXES

Precision Worm Gear Reducers

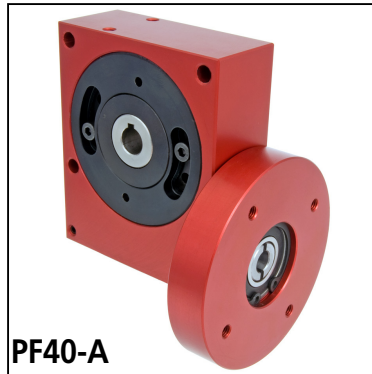
Flange Input 5Nm – 18Nm **5:1 - 120:1**

e-cad
Drawings
Available

PF40

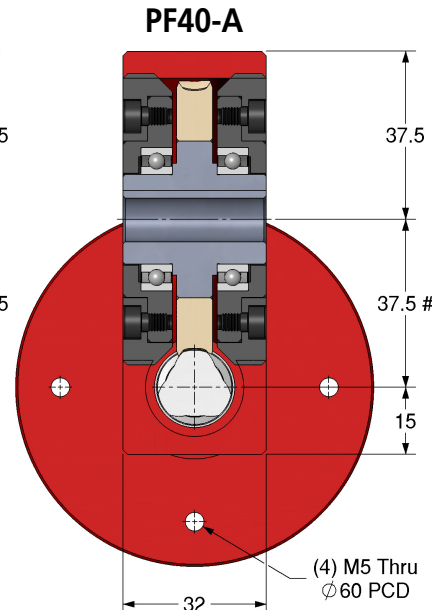
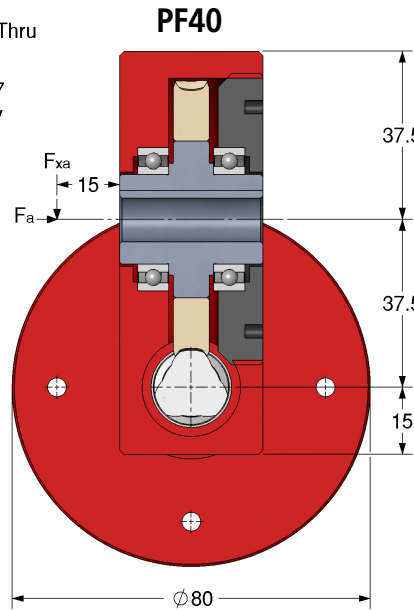
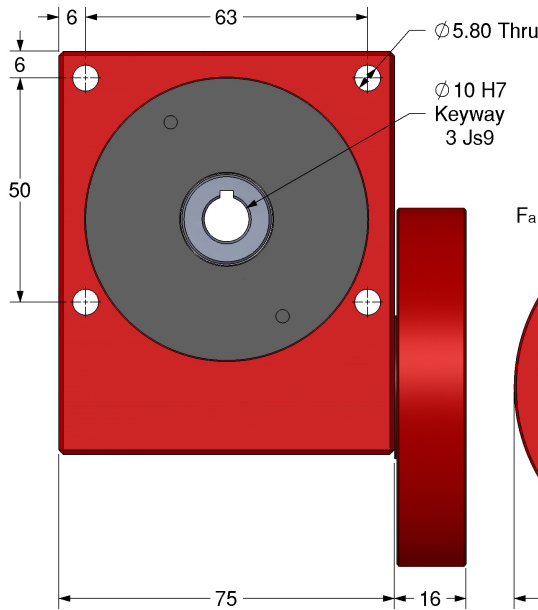
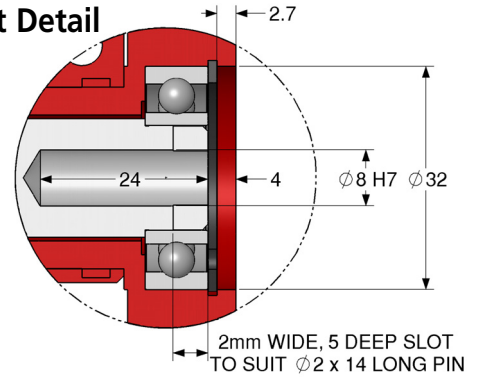


PF40



PF40-A

Input Detail



PF40A version (low backlash) output is on eccentric so centres will vary.

Discounts: 6+ -5% 20+ -10% 50+ -15% 100+ -20%

Standard ≤30'	Part Number		Ratio	Efficiency at 1000 Rpm	Reflected Inertia at Input (kg.m ²)	Self Locking Output	Price Each 1 - 5		
	Low Backlash ≤8'	Red. Backlash ≤4'					Standard	Low Backlash	Reduced Backlash
PF40-10	PF40-10A	PF40-10AR	10:1	89%	3.78 x 10 ⁻⁶	✗	£233.34	£389.39	£467.26
PF40-12	PF40-12A	PF40-12AR	12:1	87%	3.62 x 10 ⁻⁶	✗	£233.34	£389.39	£467.26
PF40-15	PF40-15A	PF40-15AR	15:1	85%	3.49 x 10 ⁻⁶	✗	£233.34	£389.39	£467.26
PF40-20	PF40-20A	PF40-20AR	20:1	83%	3.39 x 10 ⁻⁶	✗	£233.34	£389.39	£467.26
PF40-30	PF40-30A	PF40-30AR	30:1	76%	3.32 x 10 ⁻⁶	✗	£233.34	£389.39	£467.26
PF40-60	PF40-60A	PF40-60AR	60:1	65%	3.27 x 10 ⁻⁶	✓	£233.34	£389.39	£467.26
PF40-120	PF40-120A	PF40-120AR	120:1	41%	3.26 x 10 ⁻⁶	✓	£233.34	£389.39	£467.26
PF40-SP	PF40-SPA	PF40-SPAR	5:1-120:1	Special Ratios: Replace SP with required ratio			£309.69	£389.39	£513.98

Accessories

P40-X	P40-DX	Output Shafts	Single	Double
KK3-20		Output Key	£18.57	£23.03
				£0.91

Weight: 1.15kg. **Greased for life:** Shell Gadus S5 V42P 2.5.
F_{xa} at 1000rpm: 30kg. **F_a at 1000rpm:** 20kg.

Tapped holes on input flange are not relative in position to the gearbox body and will alter from box to box. However, we can machine the tapped holes after assembly so they are relative in position to the gearbox body. This will affect delivery.

Motor Inputs also available.

Testing in your application is necessary.

You will need to assess duty cycles and confirm gearbox suitability with your own calculations.

All figures listed are to be used for guidance only.

Output Torque Nm

Rpm Input	Reduction Ratio						
	10:1	12:1	15:1	20:1	30:1	60:1	120:1
3000	5.00	5.20	5.40	5.60	6.40	7.20	6.50
2000	5.50	5.80	6.20	6.60	7.30	8.00	7.20
1000	7.10	7.50	8.00	8.20	9.00	10.00	8.70
500	8.90	9.10	9.60	10.00	10.50	11.40	10.20
200	11.60	11.90	12.30	12.50	13.50	14.20	11.70
100	13.40	13.60	14.10	14.60	15.30	16.00	12.30
50	15.10	15.50	16.20	16.40	17.30	17.60	12.30
10	17.60	17.60	17.60	17.70	17.80	18.00	12.30

+44 (0)1246 455500
+44 (0)1246 455522

ondrives

sales@ondrives.com
www.ondrives.com

Product information updated 1st April 2011 and subject to change. Please contact Sales for the latest prices and availability.