

GEARBOXES

Precision Worm Gear Reducers

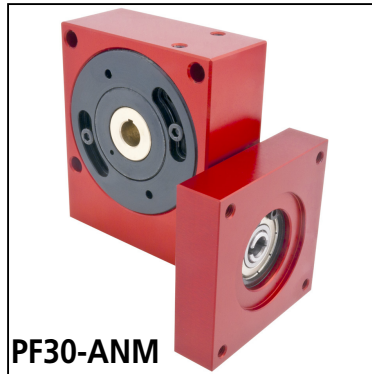
Nema 23 Flange Input 2.5Nm – 8.8Nm **5:1 - 120:1**

e-cad
Drawings
Available

PF30NM

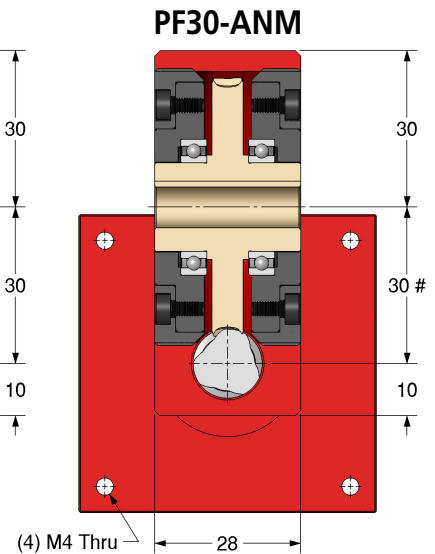
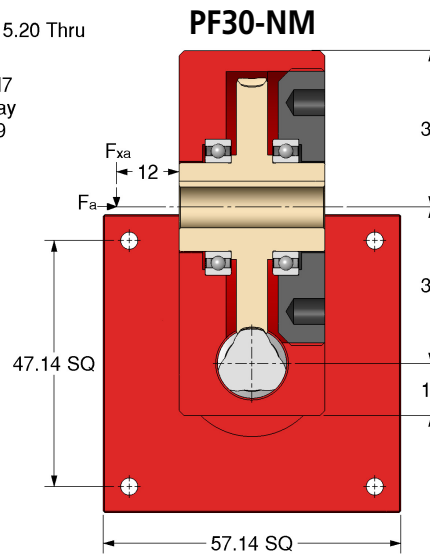
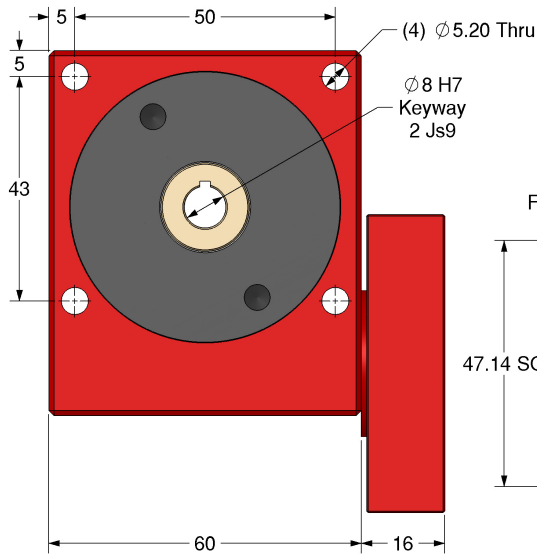
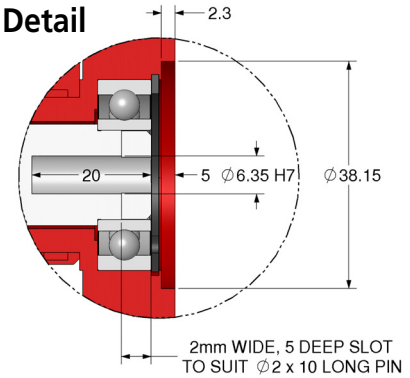


PF30-NM



PF30-ANM

Input Detail



PF30ANM version (low backlash) output is on eccentric so centres will vary.

Discounts: 6+ -5% 20+ -10% 50+ -15% 100+ -20%

Part Number		Ratio	Efficiency at 1000 Rpm	Reflected Inertia at Input (kg.m ²)	Self Locking Output	Price Each 1 - 5	
Standard ≤30'	Low Backlash ≤8'					Standard	Low Backlash
PF30-10NM	PF30-10ANM	10:1	90%	1.00 x 10 ⁻⁶	✗	£171.85	£302.75
PF30-12NM	PF30-12ANM	12:1	88%	9.25 x 10 ⁻⁷	✗	£171.85	£302.75
PF30-15NM	PF30-15ANM	15:1	86%	8.62 x 10 ⁻⁷	✗	£171.85	£302.75
PF30-20NM	PF30-20ANM	20:1	84%	8.13 x 10 ⁻⁷	✗	£171.85	£302.75
PF30-30NM	PF30-30ANM	30:1	78%	7.88 x 10 ⁻⁷	✗	£171.85	£302.75
PF30-60NM	PF30-60ANM	60:1	70%	7.67 x 10 ⁻⁷	✓	£171.85	£302.75
PF30-120NM	PF30-120ANM	120:1	40%	7.42 x 10 ⁻⁷	✓	£171.85	£302.75
PF30-SPNM	PF30-SPANM	5:1-120:1	Special Ratios: Replace SP with required ratio			£227.12	£302.75
Accessories						Single	Double
P30-X	P30-DX	Output Shafts				£16.51	£20.10
KK2-20		Output Key				£0.88	

Weight: 0.59kg. Greased for life: Shell Gadus S5 V42P 2.5.
F_{xa} at 1000rpm: 20kg. F_a at 1000rpm: 12kg.

Modifications and custom designed gearboxes available. Contact Sales for details.
Testing in your application is necessary.
You will need to assess duty cycles and confirm suitability with your own calculations.
All figures listed are to be used for guidance only.

Output Torque Nm

Rpm Input	Reduction Ratio						
	10:1	12:1	15:1	20:1	30:1	60:1	120:1
3000	2.50	2.50	2.60	2.70	3.00	3.50	3.40
2000	2.80	2.90	3.00	3.20	3.60	4.10	3.70
1000	3.50	3.70	4.00	4.20	4.50	5.00	4.60
500	4.60	4.70	4.90	5.10	5.30	5.80	5.40
200	5.40	5.60	5.70	5.90	6.20	6.60	6.40
100	6.00	6.00	6.50	6.50	7.00	7.50	6.70
50	7.50	7.80	8.00	8.30	8.30	8.60	6.70
10	8.00	8.00	8.30	8.50	8.50	8.80	6.70

+44 (0)1246 455500
+44 (0)1246 455522

ondrives

sales@ondrives.com
www.ondrives.com

Product information updated 1st April 2011 and subject to change. Please contact Sales for the latest prices and availability.