

GEARBOXES

Precision Worm Gear Reducers

Flange Input 2.5Nm – 8.8Nm **5:1 - 120:1**

e-cad
Drawings
Available

PF30

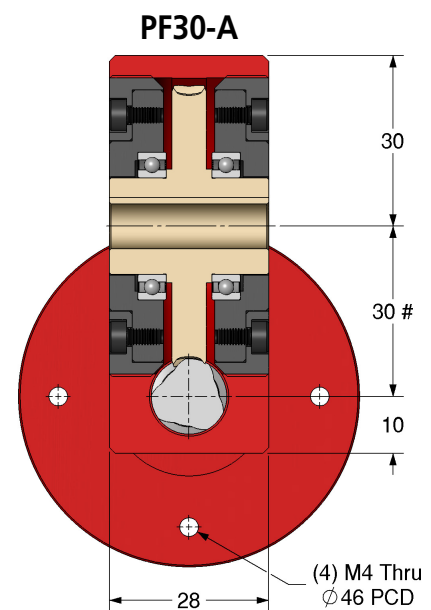
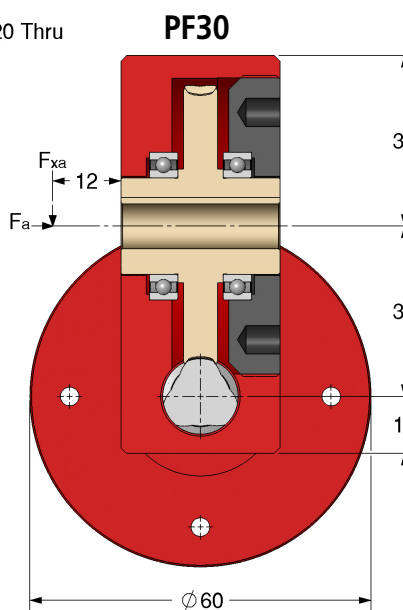
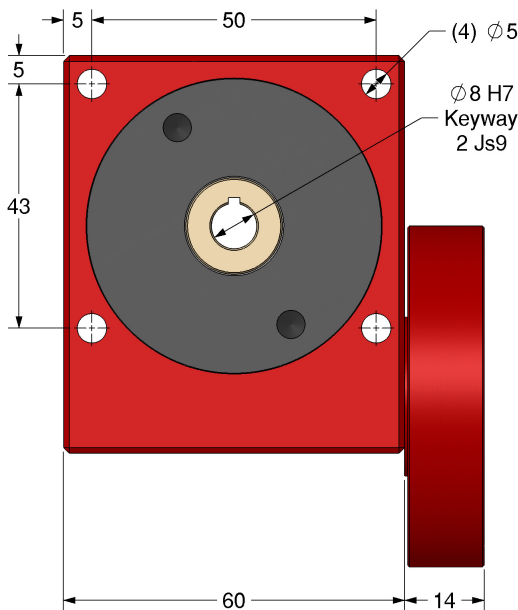
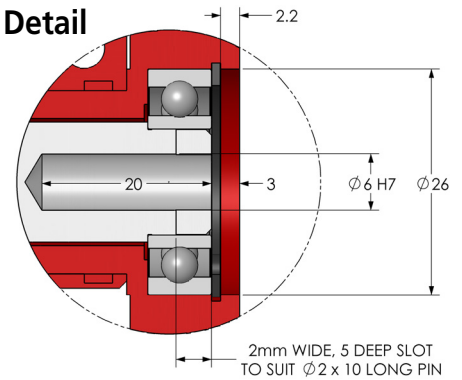


PF30



PF30-A

Input Detail



PF30A version (low backlash) output is on eccentric so centres will vary.

Discounts: 6+ -5% 20+ -10% 50+ -15% 100+ -20%

Standard ≤30'	Part Number		Ratio	Efficiency at 1000 Rpm	Reflected Inertia at Input (kg.m ²)	Self Locking Output	Price Each 1 - 5		
	Low Backlash ≤8'	Red. Backlash ≤4'					Standard	Low Backlash	Reduced Backlash
PF30-10	PF30-10A	PF30-10AR	10:1	90%	1.00 x 10 ⁻⁶	✗	£171.85	£302.75	£363.30
PF30-12	PF30-12A	PF30-12AR	12:1	88%	9.25 x 10 ⁻⁷	✗	£171.85	£302.75	£363.30
PF30-15	PF30-15A	PF30-15AR	15:1	86%	8.62 x 10 ⁻⁷	✗	£171.85	£302.75	£363.30
PF30-20	PF30-20A	PF30-20AR	20:1	84%	8.13 x 10 ⁻⁷	✗	£171.85	£302.75	£363.30
PF30-30	PF30-30A	PF30-30AR	30:1	78%	7.88 x 10 ⁻⁷	✗	£171.85	£302.75	£363.30
PF30-60	PF30-60A	PF30-60AR	60:1	70%	7.67 x 10 ⁻⁷	✓	£171.85	£302.75	£363.30
PF30-120	PF30-120A	PF30-120AR	120:1	40%	7.42 x 10 ⁻⁷	✓	£171.85	£302.75	£363.30
PF30-SP	PF30-SPA	PF30-SPAR	5:1-120:1	Special Ratios: Replace SP with required ratio			£227.12	£302.75	£399.63

Accessories		Single	Double
P30-X	P30-DX	Output Shafts	£16.51
KK2-20		Output Key	£0.88

Weight: 0.59kg. Greased for life: Shell Gadus S5 V42P 2.5.
F_{xa} at 1000rpm: 20kg. F_a at 1000rpm: 12kg.

Tapped holes on input flange are not relative in position to the gearbox body and will alter from box to box. However, we can machine the tapped holes after assembly so they are relative in position to the gearbox body. This will affect delivery.

Motor Inputs also available.

Testing in your application is necessary.

You will need to assess duty cycles and confirm gearbox suitability with your own calculations.

All figures listed are to be used for guidance only.

Output Torque Nm

Rpm Input	Reduction Ratio						
	10:1	12:1	15:1	20:1	30:1	60:1	120:1
3000	2.50	2.50	2.60	2.70	3.00	3.50	3.40
2000	2.80	2.90	3.00	3.20	3.60	4.10	3.70
1000	3.50	3.70	4.00	4.20	4.50	5.00	4.60
500	4.60	4.70	4.90	5.10	5.30	5.80	5.40
200	5.40	5.60	5.70	5.90	6.20	6.60	6.40
100	6.00	6.00	6.50	6.50	7.00	7.50	6.70
50	7.50	7.80	8.00	8.30	8.30	8.60	6.70
10	8.00	8.00	8.30	8.50	8.50	8.80	6.70

+44 (0)1246 455500
+44 (0)1246 455522

ondrives

sales@ondrives.com
www.ondrives.com

Product information updated 1st April 2011 and subject to change. Please contact Sales for the latest prices and availability.