

# GEARBOXES

## Precision Worm Gear Reducers

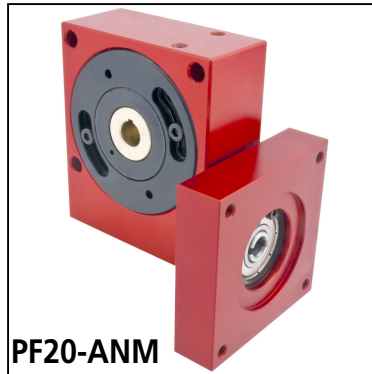
Nema 17 Flange Input 1.25Nm – 5Nm **5:1 - 120:1**

e-cad  
Drawings  
Available

**PF20NM**

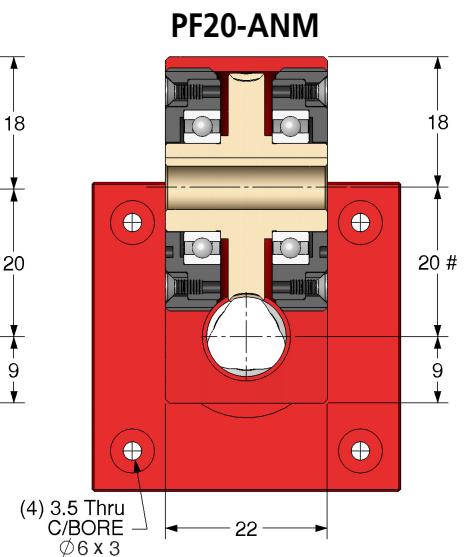
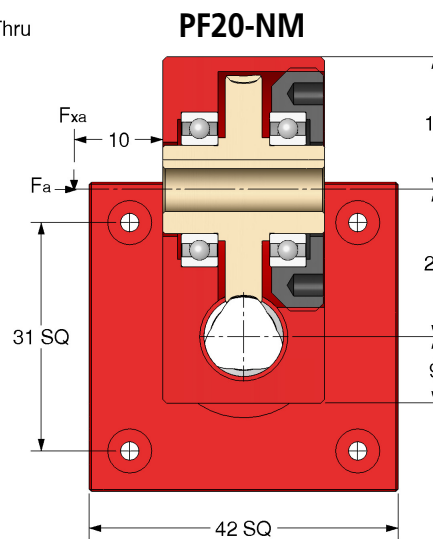
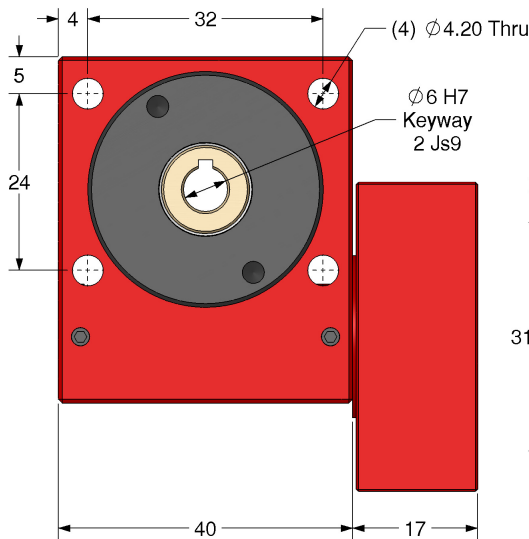
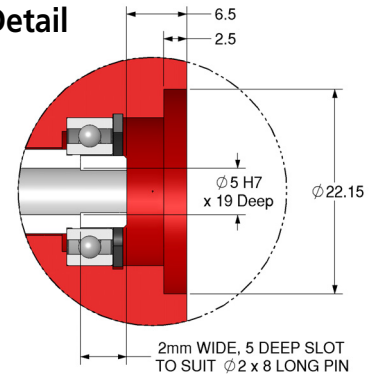


**PF20-NM**



**PF20-ANM**

### Input Detail



# PF20ANM version (low backlash) output is on eccentric so centres will vary.

**Discounts: 6+ -5% 20+ -10% 50+ -15% 100+ -20%**

Part Number		Ratio	Efficiency at 1000 Rpm	Reflected Inertia at Input (kg.m <sup>2</sup> )	Self Locking Output	Price Each 1 - 5	
Standard ≤30'	Low Backlash ≤8'					Standard	Low Backlash
PF20-10NM	PF20-10ANM	10:1	86%	2.53 x 10 <sup>-7</sup>	✗	£142.89	£237.54
PF20-12NM	PF20-12ANM	12:1	85%	2.43 x 10 <sup>-7</sup>	✗	£142.89	£237.54
PF20-15NM	PF20-15ANM	15:1	84%	2.35 x 10 <sup>-7</sup>	✗	£142.89	£237.54
PF20-20NM	PF20-20ANM	20:1	78%	2.28 x 10 <sup>-7</sup>	✗	£142.89	£237.54
PF20-30NM	PF20-30ANM	30:1	71%	2.24 x 10 <sup>-7</sup>	✗	£142.89	£237.54
PF20-60NM	PF20-60ANM	60:1	60%	2.21 x 10 <sup>-7</sup>	✓	£142.89	£237.54
PF20-120NM	PF20-120ANM	120:1	32%	2.00 x 10 <sup>-7</sup>	✓	£142.89	£237.54
PF20-SPNM	PF20-SPANM	5:1-120:1	Special Ratios: Replace SP with required ratio			£177.21	£237.54
<b>Accessories</b>						<b>Single</b>	<b>Double</b>
P20-X	P20-DX	Output Shafts				£14.08	£18.51
KK2-22		Output Key				£0.88	

Weight: 0.23kg. Greased for life: Shell Gadus S5 V42P 2.5.  
F<sub>xa</sub> at 1000rpm: 12kg. F<sub>a</sub> at 1000rpm: 5kg.

Modifications and custom designed gearboxes available. Contact Sales for details.  
Testing in your application is necessary.  
You will need to assess duty cycles and confirm suitability with your own calculations.  
All figures listed are to be used for guidance only.

### Output Torque Nm

Rpm Input	Reduction Ratio						
	10:1	12:1	15:1	20:1	30:1	60:1	120:1
3000	1.40	1.50	1.60	1.70	1.90	2.10	1.25
2000	1.70	1.70	1.80	1.80	2.10	2.40	1.42
1000	2.10	2.30	2.30	2.50	2.70	2.90	1.70
500	2.70	2.70	2.80	2.90	3.20	3.50	1.94
200	3.40	3.50	3.50	3.70	3.90	4.10	2.27
100	3.90	3.90	4.10	4.20	4.30	4.50	2.55
50	4.40	4.50	4.50	4.60	4.70	4.80	2.72
10	4.80	4.80	4.90	4.90	5.00	5.00	2.72

+44 (0)1246 455500  
+44 (0)1246 455522

**ondrives**

sales@ondrives.com  
www.ondrives.com

Product information updated 1st April 2011 and subject to change. Please contact Sales for the latest prices and availability.