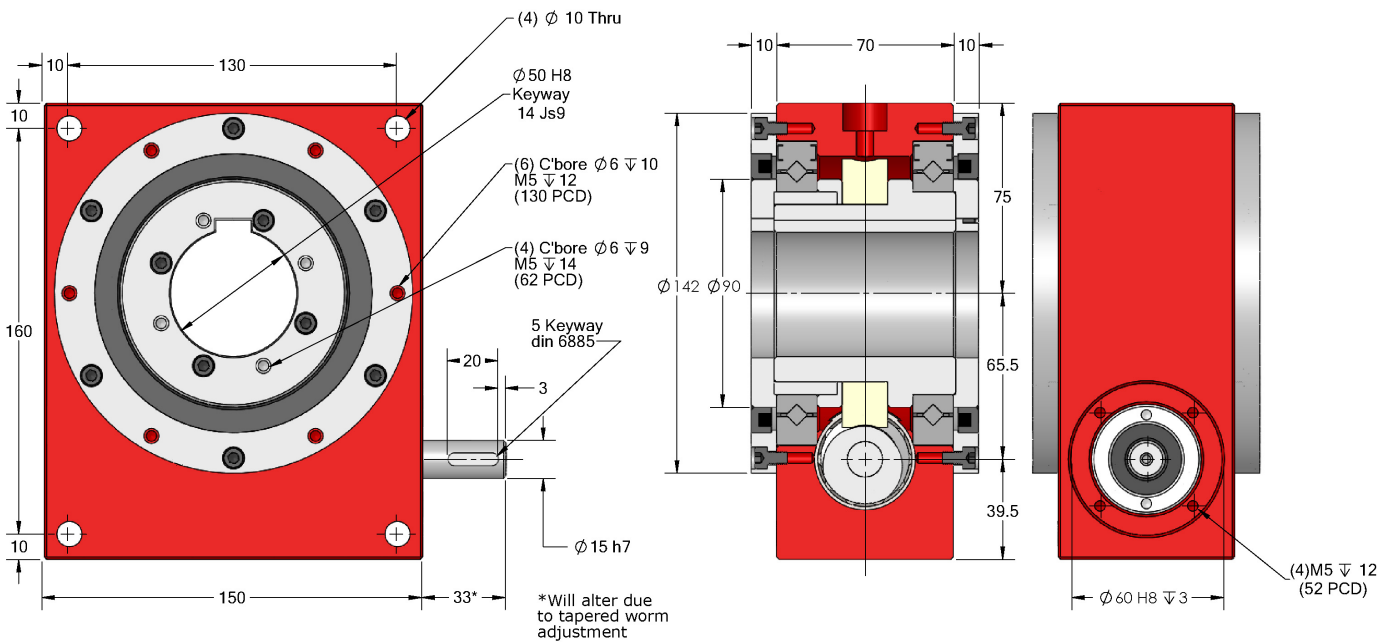
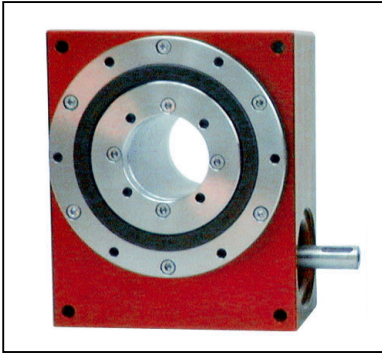


**P80**

# GEARBOXES

## Precision Duplex Worm Wheel Drive

Crossed Roller Design



**Discounts:** 6+ -5% 20+ -10% 50+ -15% 100+ -20%

| Part Number | Ratio | Helix Angle $\angle$ ° | No. of Starts On Worm Max. | Input Speed Rpm Max. | Output Speed Rpm | Efficiency at 1000 Rpm Input | Self Locking Output | Backlash at Output Arc/min | Allowable Torque* (Nm) | Price Each 1 - 5 |
|-------------|-------|------------------------|----------------------------|----------------------|------------------|------------------------------|---------------------|----------------------------|------------------------|------------------|
| P80-50A     | 50:1  | 3°42'                  | 1                          | 1800                 | 36               | 62%                          | ✓                   | ≤6'                        | 66                     | £1526.01         |

| Part Number    | Complete Assemblies: Description   | Price Each 1 - 5 |
|----------------|--|------------------|
| P80-STEP-ASSY  | Includes Adapter Plate for NEMA34<br>MJT-40C-RD-12.7x15 Coupling and fixing screws | £P.O.A           |
| P80-SERVO-ASSY | Includes Adapter for Plate<br>MJT-40C-RD-14x15 Coupling and fixing screws          | £P.O.A           |

### Material

**Casing:** Aluminium

**WormTeeth:** Induction hardened. 50 HRC ground

**Wheel:** Aluminium Bronze (≤6 arc/min backlash)

**Bearings:** Output: Crossed rollers (Precision). Input: Tapered rollers.  
Gearbox filled with grease.

+44 (0)1246 455500  
+44 (0)1246 455522

**ondrives**

sales@ondrives.com  
www.ondrives.com

Product information updated 1st April 2011 and subject to change. Please contact Sales for the latest prices and availability.

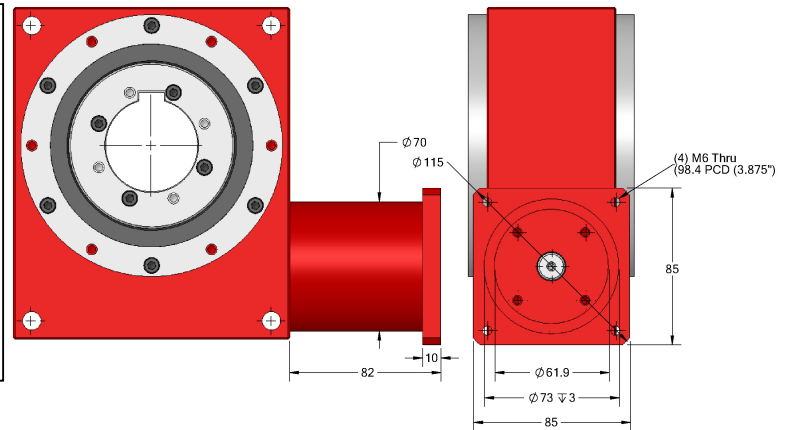
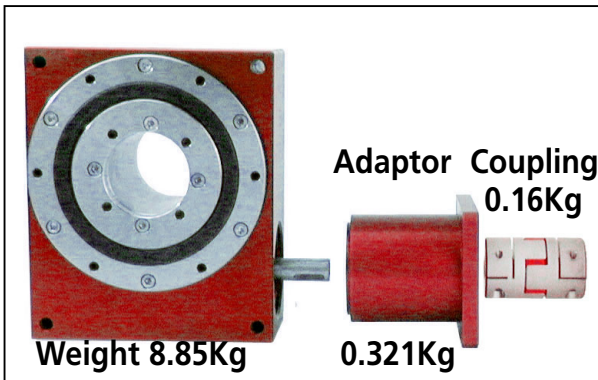
# GEARBOXES

**P80**

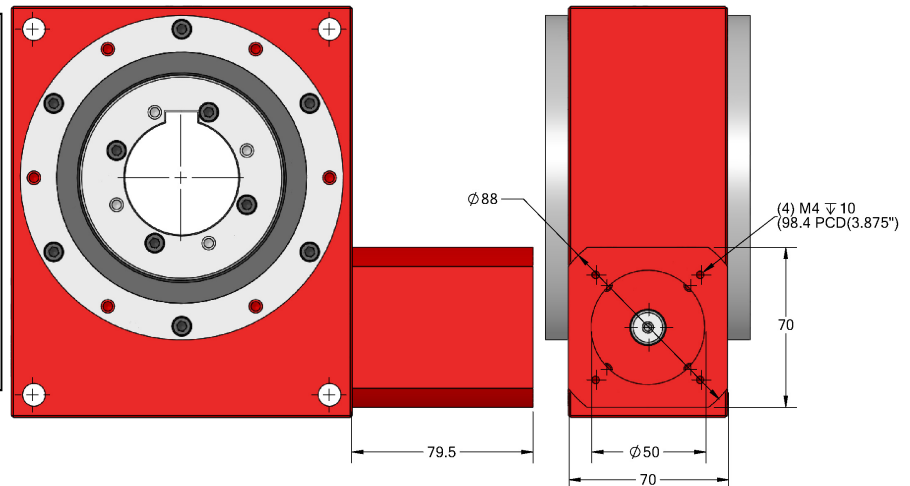
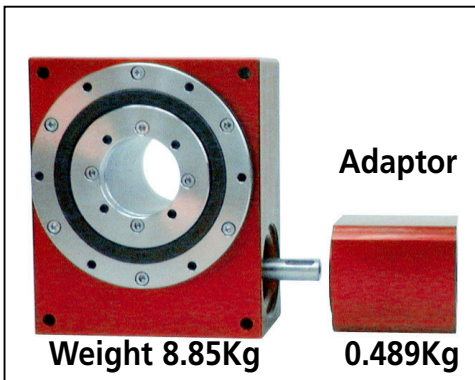
## Precision Duplex Worm Wheel Drive

Crossed Roller Design

### P80-STEP-ASSY



### P80-SERVO-ASSY



### Gearbox Torque Table

| Input Speed Rpm | Allowable Torque at Output (Nm) |
|-----------------|---------------------------------|
| 30              | 114.47                          |
| 100             | 96.74                           |
| 300             | 78.41                           |
| 600             | 66.94                           |
| 900             | 59.49                           |
| 1200            | 54.20                           |
| 1800            | 47.54                           |

### Load Capacity on output at 30rpm output speed

