

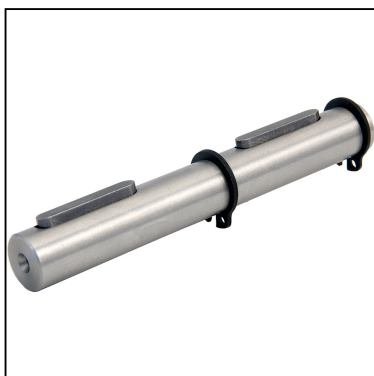
GEARBOXES

Gearbox Output Shafts Single & Double Sided

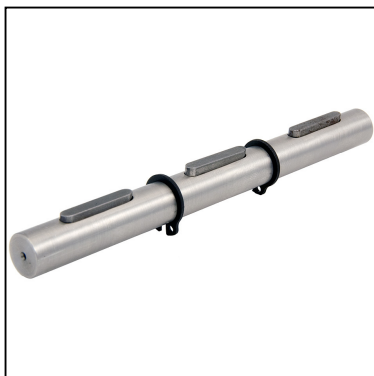
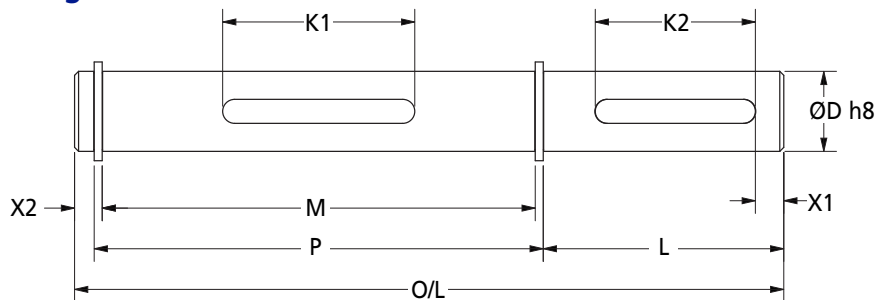
For P & PF Type Worm Gear Reducers

e-cad
Drawings
Available

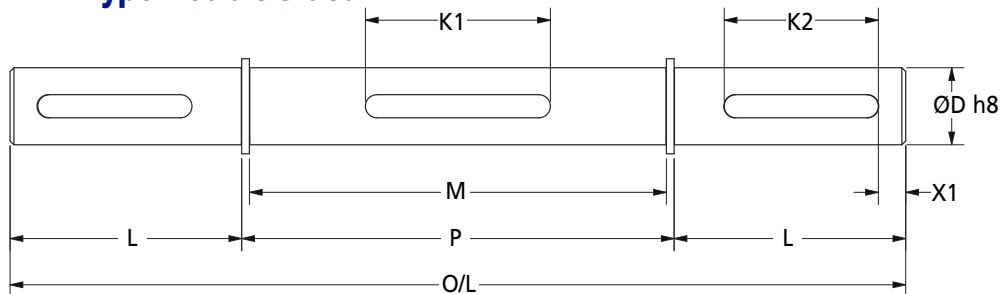
P-X
P-DX



P-X Type Single Sided



P-DX Type Double Sided



Discounts: 6+ -10% 20+ -15% 40+ -20% 60+ -25% 100+ -30%

Part Number	ØD	O/L	M	P	L	K1 To Suit Key	X1	K2 To Suit Key	X2	Price Each 1 - 5
SINGLE SIDED										
P20-X	6	50.8	22	23.6	25	KK2-20	1.50	KK2-20	3.0	£14.08
P30-X	8	63.9	28	29.8	32	KK2-22	3.00	KK2-22	3.0	£16.51
P40-X	10	76.6	32	34.2	40	KK3-20	3.50	KK3-20	3.5	£18.57
P45-X	12	88.1	38	40.2	45	KK4-25	4.00	KK4-25	4.0	£19.93
P55-X	15	101.1	46	48.2	50	KK5-30	4.00	KK5-30	4.0	£22.08
P60-X	20	119.8	54	56.6	60	KK6-32	4.00	KK6-32	4.5	£25.95
P70-X	25	135.8	60	62.6	70	KK8-40	4.50	KK8-40	4.5	£29.82
DOUBLE SIDED										
P20-DX	6	73.6	22	23.6	25	KK2-20	1.50	KK2-20	-	£18.51
P30-DX	8	93.8	28	29.8	32	KK2-22	5.45	KK2-22	-	£20.10
P40-DX	10	114.2	32	34.2	40	KK3-20	9.90	KK3-20	-	£23.03
P45-DX	12	130.2	38	40.2	45	KK4-25	4.00	KK4-25	-	£25.16
P55-DX	15	148.2	46	48.2	50	KK5-30	9.90	KK5-30	-	£27.41
P60-DX	20	176.6	54	56.6	60	KK6-32	13.75	KK6-32	-	£31.87
P70-DX	25	202.5	60	62.6	70	KK8-40	14.90	KK8-40	-	£36.34

Material

Stainless Steel 303 shaft. Steel keys and circlips included.

Special shafts to your own design are available, P.O.A. Please fax a drawing for a quote.

+44 (0)1246 455500

+44 (0)1246 455522

ondrives

sales@ondrives.com

www.ondrives.com

Product information updated 1st April 2011 and subject to change. Please contact Sales for the latest prices and availability.