

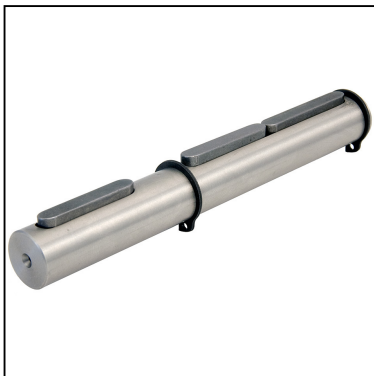
GEARBOXES

Gearbox Output Shafts Single & Double Sided

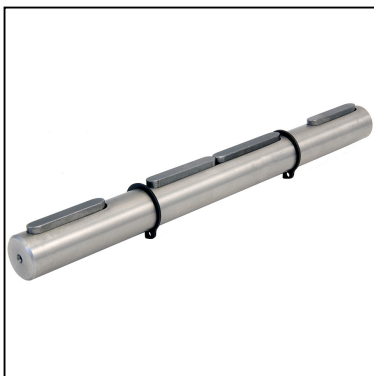
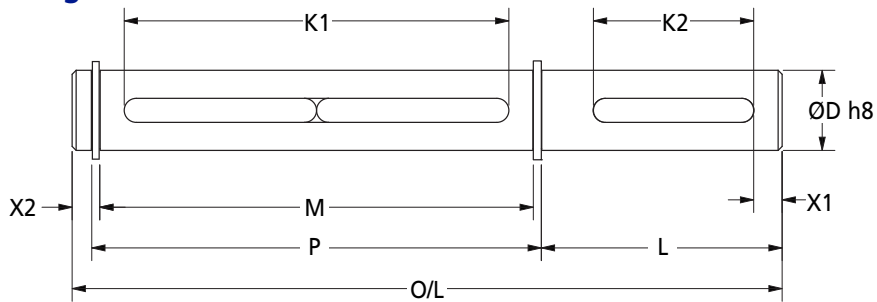
For E Type Right Angle Helical Reducers

e-cad
Drawings
Available

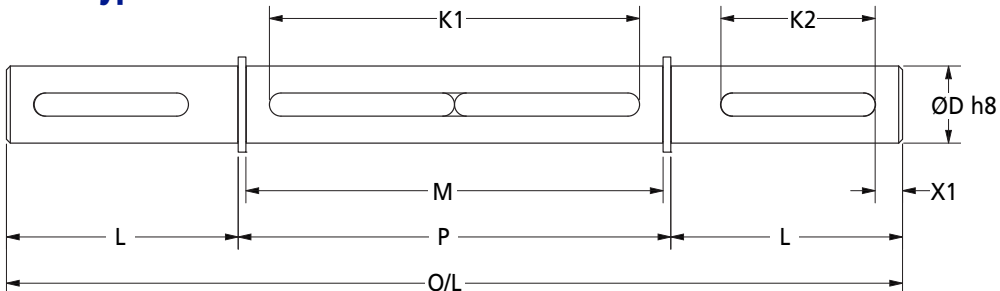
E-X
E-DX



E-X Type Single Sided



E-DX Type Double Sided



Discounts: 6+ -10% 20+ -15% 40+ -20% 60+ -25% 100+ -30%

Part Number	ØD	O/L	M	P	L	K1* To Suit Key	X1	K2 To Suit Key	X2	Price Each 1 - 5
SINGLE SIDED										
E20-X	6	68.8	40	41.6	25	KK2 x 36	1.5	KK2-22	3.0	£19.26
E30-X	10	98.6	54	56.2	40	KK3 x 50	3.5	KK3-20	3.5	£22.81
E40-X	15	127.1	72	74.2	50	KK5 x 68	4.0	KK5-30	4.0	£27.72
E50-X	20	153.8	88	90.6	60	KK6 x 84	4.5	KK6-32	4.5	£30.95
E60-X	25	182.3	106	108.6	70	KK8 x 102	5.0	KK8-40	5.0	£33.36
DOUBLE SIDED										
E20-DX	6	91.6	40	41.6	25	KK2 x 36	1.5	KK2-22	-	£24.84
E30-DX	10	136.2	54	56.2	40	KK3 x 50	3.5	KK3-20	-	£28.62
E40-DX	15	174.2	72	74.2	50	KK5 x 68	4.0	KK5-30	-	£33.29
E50-DX	20	210.6	88	90.6	60	KK6 x 84	4.5	KK6-32	-	£38.66
E60-DX	25	248.6	106	108.6	70	KK8 x 102	5.0	KK8-40	-	£45.09

Stainless Steel 303 shaft. Includes steel keys and circlips.

Special shafts to your own design are available, P.O.A. Please fax a drawing for a quote.

* Combination of keys to form total length

+44 (0)1246 455500
+44 (0)1246 455522

ondrives

sales@ondrives.com
www.ondrives.com

Product information updated 1st April 2011 and subject to change. Please contact Sales for the latest prices and availability.