

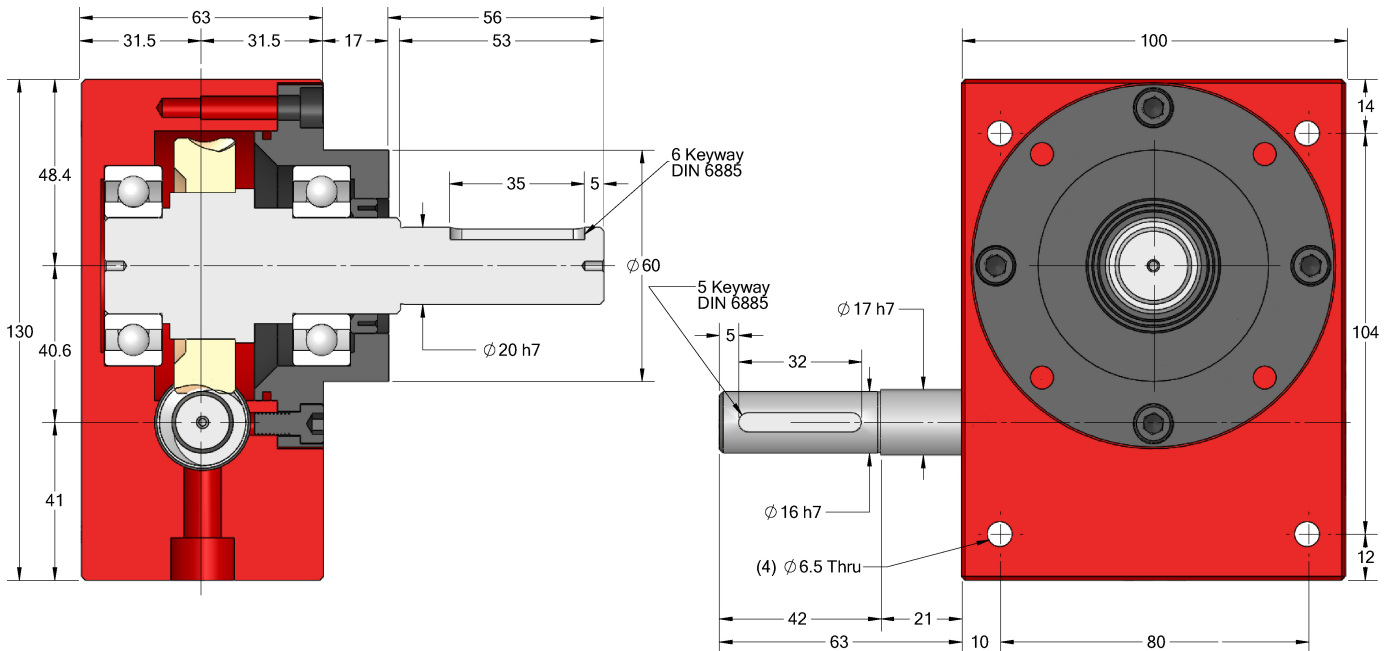
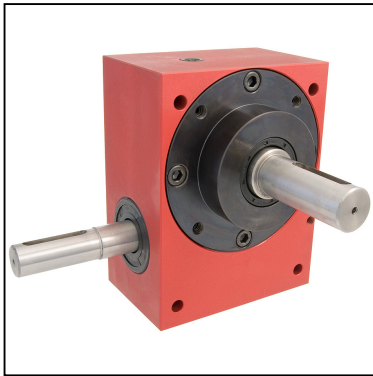
GEARBOXES

Precision Worm Gear Reducers

Shaft Input & Output 22.1Nm – 83Nm **10:1 - 60:1**

e-cad
Drawings
Available

BP60



Discounts: 6+ -5% 20+ -8% 40+ -10% 60+ -12% 100+ -15%

Part Number	Ratio	Worm Helix Angle	No. of Starts in Worm	Max. Input Speed	Max. Output Speed	Efficiency at 1500 Rpm	Price Each 1 - 5
BP60-15	14.33:1	15°48'	3	3000	209	85%	£257.07
BP60-21	21.50:1	10°43'	3	3000	139	81%	£257.07
BP60-30	31.00:1	5°56'	1	3000	96	73%	£257.07
BP60-43	43.00:1	5°23'	1	3000	69	65%	£257.07
BP60-SP	10:1 - 60:1						£333.62

Special Ratios: Replace SP with required ratio

Case: Aluminium. Worm: Alloy Steel 655M13(EN36 Hardened).
Wheel: Quality Aluminium Bronze (CA104).

Weight: 5.6kg. Backlash: $\approx 0^{\circ}30'$.

Max Input Speed: 3000 Rpm (short term). Greased for life: Shell Gadus S5 V42P 2.5.

Output Keys: KK5-32 £0.69, KK6-32 £0.99.

Supplied without feet as standard.

LH Wormwheels are standard. RH available at BP60-SP price: £333.62.

Output Torque Nm

Rpm Input	Reduction Ratio			
	14.33:1	21.5:1	31:1	43:1
3000	22.10	24.00	27.50	28.00
2000	24.40	27.50	30.80	35.10
1000	28.50	36.00	40.20	44.30
500	41.80	44.00	49.50	54.00
200	52.00	53.50	58.00	62.00
100	60.00	61.00	65.20	69.50
50	69.00	69.00	71.50	72.20
10	82.00	82.00	83.00	83.00

+44 (0)1246 455500
+44 (0)1246 455522

ondrives

sales@ondrives.com
www.ondrives.com

Product information updated 1st April 2011 and subject to change. Please contact Sales for the latest prices and availability.