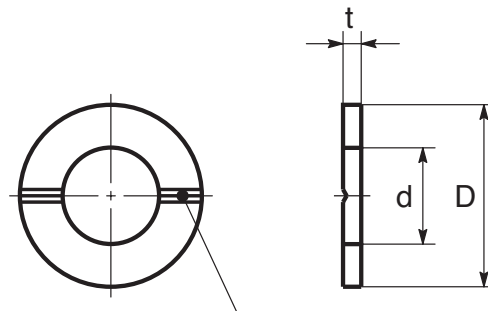
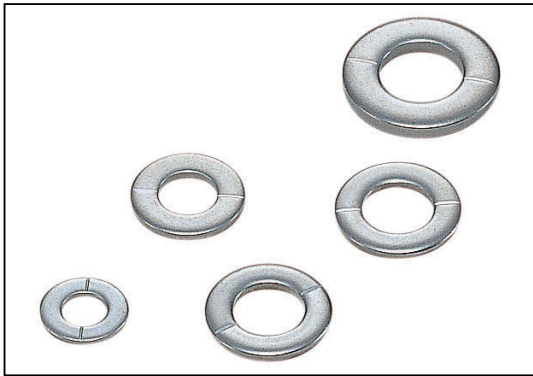


FASTENERS

SWAS-VF

Washers

with Ventilation Hole - No Surface Treatment : To Suit M3 - M12



with Ventilation Grooves

Discounts: 21+ -10% 51+ -20%

Part Number	Nominal Size	d	D	t	Mass g	Qty. Per Pack	Price Per Pack 1 - 20
SWAS-3-VF	3	3.2	7.0	0.5	0.1	20	£3.84
SWAS-4-VF	4	4.3	9.0	0.8	0.3	20	£4.49
SWAS-5-VF	5	5.3	10.0	1.0	0.4	10	£3.49
SWAS-6-VF	6	6.4	12.5	1.6	1.1	10	£4.14
SWAS-8-VF	8	8.4	17.0	1.6	2.1	10	£4.94
SWAS-10-VF	10	10.5	21.0	2.0	3.9	5	£4.14
SWAS-12-VF	12	13.0	24.0	2.5	6.0	5	£4.94

Material

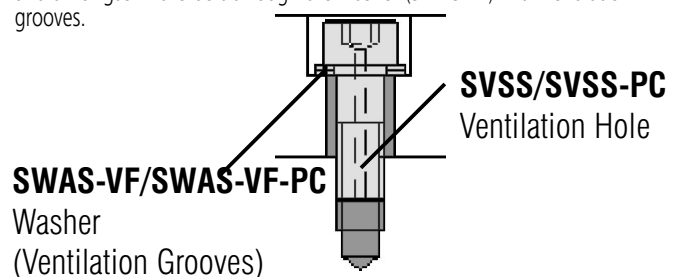
SUS304 Equivalent.

Features

- May be used with vacuum chamber applications in clean rooms, FPD (Flat Panel Display) and semiconductor production equipment and devices.
- Types without surface treatment are all clean washed, preventing the inclusion of oil and foreign particles.
- Types with chemical polishing improves surface roughness and reduces diffusion to microscopic levels.
- For use with Socket Head Cap Screw with Ventilation Hole (SVSS) and Hexagon Head Bolt with Ventilation Hole (SVHS).

Applications

Remove trapped gases in the pilot bore through the ventilation hole (SVSS) and air or gas in the bolt through the washer (SWAS-VF) with ventilation grooves.



+44 (0)1246 455500

+44 (0)1246 455522

ondrives

sales@ondrives.com

www.ondrives.com

Product information updated 1st April 2011 and subject to change. Please contact Sales for the latest prices and availability.