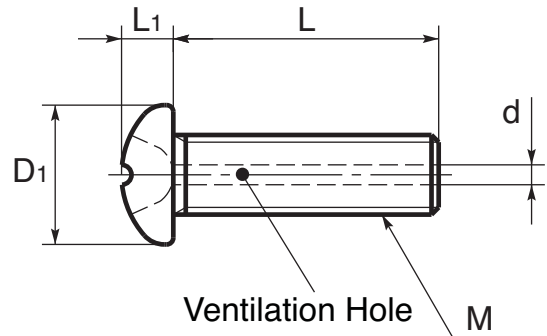


**SVPS**

# FASTENERS

## Phillips Cross Recessed Pan Head Machine Screw with Ventilation Hole - No Surface Treatment : M3 - M6

**Discounts: 21+ -10% 51+ -20%**

Part Number	M	L	D1	L1	d max.	Mass g	Qty. Per Pack	Price Per Pack 1 - 20
SVPS-M3X5	M3	5	5.5	2.0	1.2	0.4	20	£54.58
SVPS-M3X6	M3	6	5.5	2.0	1.2	0.5	20	£57.81
SVPS-M3X8	M3	8	5.5	2.0	1.2	0.5	20	£64.20
SVPS-M3X10	M3	10	5.5	2.0	1.2	0.6	20	£67.42
SVPS-M3X12	M3	12	5.5	2.0	1.2	0.7	20	£73.86
SVPS-M4X5	M4	5	7.0	2.6	1.5	0.8	20	£60.98
SVPS-M4X6	M4	6	7.0	2.6	1.5	0.9	20	£64.20
SVPS-M4X8	M4	8	7.0	2.6	1.5	1.0	20	£67.42
SVPS-M4X10	M4	10	7.0	2.6	1.5	1.1	20	£70.64
SVPS-M4X12	M4	12	7.0	2.6	1.5	1.3	20	£73.86
SVPS-M4X16	M4	16	7.0	2.6	1.5	1.5	20	£77.09
SVPS-M5X6	M5	6	9.0	3.3	1.5	1.9	10	£35.31
SVPS-M5X8	M5	8	9.0	3.3	1.5	2.1	10	£36.89
SVPS-M5X10	M5	10	9.0	3.3	1.5	2.4	10	£38.53
SVPS-M5X12	M5	12	9.0	3.3	1.5	2.5	10	£43.34
SVPS-M5X16	M5	16	9.0	3.3	1.5	2.8	10	£44.92
SVPS-M5X20	M5	20	9.0	3.3	1.5	3.3	10	£48.14
SVPS-M6X8	M6	8	10.5	3.9	2.0	3.1	10	£41.75
SVPS-M6X10	M6	10	10.5	3.9	2.0	3.3	10	£43.34
SVPS-M6X12	M6	12	10.5	3.9	2.0	3.6	10	£44.92
SVPS-M6X16	M6	16	10.5	3.9	2.0	4.1	10	£48.14
SVPS-M6X20	M6	20	10.5	3.9	2.0	4.8	10	£54.58
SVPS-M6X25	M6	25	10.5	3.9	2.0	5.5	10	£57.81

### Material

SUSXM7 (SUS304 Equivalent).

**Note:** Alternative surface treatments are available on request. Gold plating, Silver plating, Electroless Nickel plating and Raydent treatment are all available as options. Please contact sales for further information.

### Options

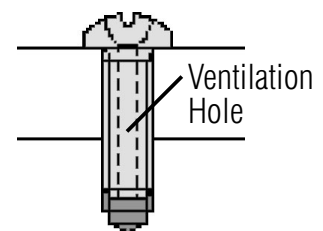
Speciality-use product dimensions, profiles, materials, surface treatments, and special packaging.

### Features

- May be used with vacuum chamber applications in clean rooms, FPD (Flat Panel Display) and semiconductor production equipment and devices.
- All clean washed, preventing the inclusion of oil and foreign particles.
- Speciality-use product dimensions, profiles, materials, surface treatments, and special packaging.

### Applications

Remove trapped gases in the pilot bore through the ventilation hole.



+44 (0)1246 455500  
+44 (0)1246 455522

**ondrives**

sales@ondrives.com  
www.ondrives.com

Product information updated 1st April 2011 and subject to change. Please contact Sales for the latest prices and availability.