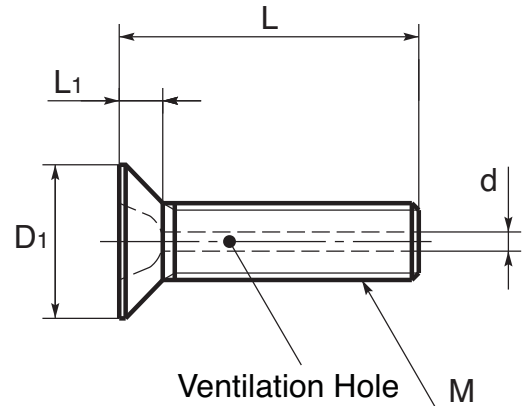
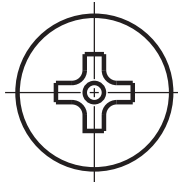


FASTENERS

SVFS

Phillips Cross Recessed Flat Head Machine Screw with Ventilation Hole - No Surface Treatment : M3 - M6



Discounts: 21+ -10% 51+ -20%

Part Number	M	L	D1	L1	d max.	Mass g	Qty. Per Pack	Price Per Pack 1 - 20
SVFS-M3X5	M3	5	6	1.75	1.2	0.3	20	£54.58
SVFS-M3X6	M3	6	6	1.75	1.2	0.4	20	£57.81
SVFS-M3X8	M3	8	6	1.75	1.2	0.4	20	£64.20
SVFS-M3X10	M3	10	6	1.75	1.2	0.5	20	£67.42
SVFS-M3X12	M3	12	6	1.75	1.2	0.6	20	£73.86
SVFS-M4X5	M4	5	8	2.30	1.5	0.6	20	£60.98
SVFS-M4X6	M4	6	8	2.30	1.5	0.7	20	£64.20
SVFS-M4X8	M4	8	8	2.30	1.5	0.8	20	£67.42
SVFS-M4X10	M4	10	8	2.30	1.5	1.0	20	£70.64
SVFS-M4X12	M4	12	8	2.30	1.5	1.1	20	£73.86
SVFS-M4X16	M4	16	8	2.30	1.5	1.3	20	£77.09
SVFS-M5X6	M5	6	10	2.80	1.5	1.3	10	£35.31
SVFS-M5X8	M5	8	10	2.80	1.5	1.5	10	£36.89
SVFS-M5X10	M5	10	10	2.80	1.5	1.7	10	£38.53
SVFS-M5X12	M5	12	10	2.80	1.5	1.9	10	£43.34
SVFS-M5X16	M5	16	10	2.80	1.5	2.4	10	£44.92
SVFS-M5X20	M5	20	10	2.80	1.5	2.8	10	£48.14
SVFS-M6X8	M6	8	12	3.40	2.0	2.4	10	£41.75
SVFS-M6X10	M6	10	12	3.40	2.0	2.5	10	£43.34
SVFS-M6X12	M6	12	12	3.40	2.0	2.8	10	£44.92
SVFS-M6X16	M6	16	12	3.40	2.0	3.4	10	£48.14
SVFS-M6X20	M6	20	12	3.40	2.0	4.1	10	£54.58
SVFS-M6X25	M6	25	12	3.40	2.0	4.7	10	£57.81

Material

SUSXM7 (SUS304 Equivalent).

Features

- May be used with vacuum chamber applications in clean rooms, FPD (Flat Panel Display) and semiconductor production equipment and devices.
- All clean washed, preventing the inclusion of oil and foreign particles.

Applications

Remove trapped gases in the pilot bore through the ventilation hole.

