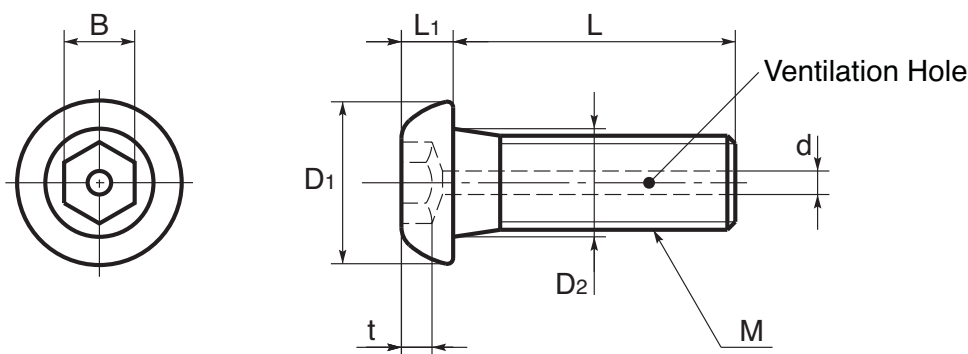


# FASTENERS

SVBS

## Socket Button Head Cap Screw

with Ventilation Hole - No Surface Treatment : M3 - M6



Discounts: 21+ -10% 51+ -20%

| Part Number | M  | L  | D1   | L1   | B   | t    | D2  | d max. | Mass g | Qty. Per Pack | Price Per Pack 1 - 20 |
|-------------|----|----|------|------|-----|------|-----|--------|--------|---------------|-----------------------|
| SVBS-M3X5   | M3 | 5  | 5.7  | 1.65 | 2.0 | 1.04 | 3.6 | 1.2    | 0.4    | 20            | £54.58                |
| SVBS-M3X6   | M3 | 6  | 5.7  | 1.65 | 2.0 | 1.04 | 3.6 | 1.2    | 0.4    | 20            | £57.81                |
| SVBS-M3X8   | M3 | 8  | 5.7  | 1.65 | 2.0 | 1.04 | 3.6 | 1.2    | 0.5    | 20            | £64.20                |
| SVBS-M3X10  | M3 | 10 | 5.7  | 1.65 | 2.0 | 1.04 | 3.6 | 1.2    | 0.5    | 20            | £67.42                |
| SVBS-M3X12  | M3 | 12 | 5.7  | 1.65 | 2.0 | 1.04 | 3.6 | 1.2    | 0.6    | 20            | £73.86                |
| SVBS-M4X6   | M4 | 6  | 7.6  | 2.20 | 2.5 | 1.30 | 4.7 | 1.5    | 0.8    | 20            | £64.20                |
| SVBS-M4X8   | M4 | 8  | 7.6  | 2.20 | 2.5 | 1.30 | 4.7 | 1.5    | 1.0    | 20            | £67.42                |
| SVBS-M4X10  | M4 | 10 | 7.6  | 2.20 | 2.5 | 1.30 | 4.7 | 1.5    | 1.1    | 20            | £70.64                |
| SVBS-M4X12  | M4 | 12 | 7.6  | 2.20 | 2.5 | 1.30 | 4.7 | 1.5    | 1.2    | 20            | £73.86                |
| SVBS-M4X16  | M4 | 16 | 7.6  | 2.20 | 2.5 | 1.30 | 4.7 | 1.5    | 1.4    | 20            | £77.09                |
| SVBS-M5X6   | M5 | 6  | 9.5  | 2.75 | 3.0 | 1.56 | 5.7 | 1.5    | 1.6    | 10            | £35.31                |
| SVBS-M5X8   | M5 | 8  | 9.5  | 2.75 | 3.0 | 1.56 | 5.7 | 1.5    | 1.8    | 10            | £36.89                |
| SVBS-M5X10  | M5 | 10 | 9.5  | 2.75 | 3.0 | 1.56 | 5.7 | 1.5    | 2.0    | 10            | £38.53                |
| SVBS-M5X12  | M5 | 12 | 9.5  | 2.75 | 3.0 | 1.56 | 5.7 | 1.5    | 2.2    | 10            | £43.34                |
| SVBS-M5X16  | M5 | 16 | 9.5  | 2.75 | 3.0 | 1.56 | 5.7 | 1.5    | 2.7    | 10            | £44.92                |
| SVBS-M5X20  | M5 | 20 | 9.5  | 2.75 | 3.0 | 1.56 | 5.7 | 1.5    | 3.1    | 10            | £48.14                |
| SVBS-M6X8   | M6 | 8  | 10.5 | 3.30 | 4.0 | 2.08 | 6.8 | 2.0    | 2.4    | 10            | £41.75                |
| SVBS-M6X10  | M6 | 10 | 10.5 | 3.30 | 4.0 | 2.08 | 6.8 | 2.0    | 2.8    | 10            | £43.34                |
| SVBS-M6X12  | M6 | 12 | 10.5 | 3.30 | 4.0 | 2.08 | 6.8 | 2.0    | 3.2    | 10            | £44.92                |
| SVBS-M6X16  | M6 | 16 | 10.5 | 3.30 | 4.0 | 2.08 | 6.8 | 2.0    | 3.7    | 10            | £48.14                |
| SVBS-M6X20  | M6 | 20 | 10.5 | 3.30 | 4.0 | 2.08 | 6.8 | 2.0    | 4.3    | 10            | £54.58                |
| SVBS-M6X25  | M6 | 25 | 10.5 | 3.30 | 4.0 | 2.08 | 6.8 | 2.0    | 5.0    | 10            | £57.81                |

### Material

SUSXM7 (SUS304 Equivalent).

**Note:** Alternative surface treatments are available on request. Gold plating, Silver plating, Electroless Nickel plating and Raydent treatment are all available as options. Please contact sales for further information.

### Options

Speciality-use product dimensions, profiles, materials, surface treatments, and special packaging.

### Features

- May be used with vacuum chamber applications in clean rooms, FPD (Flat Panel Display) and semiconductor production equipment and devices.
- All clean washed, preventing the inclusion of oil and foreign particles.

+44 (0)1246 455500

+44 (0)1246 455522

**ondrives**

sales@ondrives.com

www.ondrives.com

Product information updated 1st April 2011 and subject to change. Please contact Sales for the latest prices and availability.