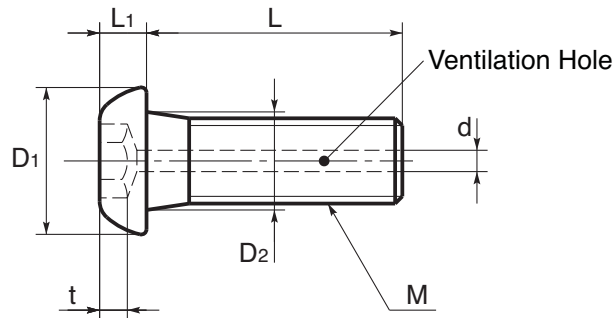
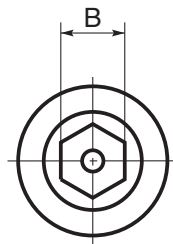


FASTENERS

SVBS-PC

Socket Button Head Cap Screw with Ventilation Hole - Chemical Polish



Part Number	M	L	D1	L1	B	t	D2	d Max.	Mass g	Qty. Per Pack	Price per Pack 1 - 20
SVBS-M3X5-PC	M3	5	5.7	1.65	2.0	1.04	3.6	1.2	0.4	20	£57.81
SVBS-M3X6-PC	M3	6	5.7	1.65	2.0	1.04	3.6	1.2	0.4	20	£60.98
SVBS-M3X8-PC	M3	8	5.7	1.65	2.0	1.04	3.6	1.2	0.5	20	£67.42
SVBS-M3X10-PC	M3	10	5.7	1.65	2.0	1.04	3.6	1.2	0.5	20	£70.64
SVBS-M3X12-PC	M3	12	5.7	1.65	2.0	1.04	3.6	1.2	0.6	20	£77.09
SVBS-M4X6-PC	M4	6	7.6	2.20	2.5	1.30	4.7	1.5	0.8	20	£67.42
SVBS-M4X8-PC	M4	8	7.6	2.20	2.5	1.30	4.7	1.5	1.0	20	£70.64
SVBS-M4X10-PC	M4	10	7.6	2.20	2.5	1.30	4.7	1.5	1.1	20	£74.01
SVBS-M4X12-PC	M4	12	7.6	2.20	2.5	1.30	4.7	1.5	1.2	20	£77.09
SVBS-M4X16-PC	M4	16	7.6	2.20	2.5	1.30	4.7	1.5	1.4	20	£83.48
SVBS-M5X6-PC	M5	6	9.5	2.75	3.0	1.56	5.7	1.5	1.6	10	£38.53
SVBS-M5X8-PC	M5	8	9.5	2.75	3.0	1.56	5.7	1.5	1.8	10	£40.13
SVBS-M5X10-PC	M5	10	9.5	2.75	3.0	1.56	5.7	1.5	2.0	10	£43.34
SVBS-M5X12-PC	M5	12	9.5	2.75	3.0	1.56	5.7	1.5	2.2	10	£46.56
SVBS-M5X16-PC	M5	16	9.5	2.75	3.0	1.56	5.7	1.5	2.7	10	£49.79
SVBS-M5X20-PC	M5	20	9.5	2.75	3.0	1.56	5.7	1.5	3.1	10	£54.58
SVBS-M6X8-PC	M6	8	10.5	3.30	4.0	2.08	6.8	2.0	2.4	10	£46.56
SVBS-M6X10-PC	M6	10	10.5	3.30	4.0	2.08	6.8	2.0	2.8	10	£48.14
SVBS-M6X12-PC	M6	12	10.5	3.30	4.0	2.08	6.8	2.0	3.2	10	£51.36
SVBS-M6X16-PC	M6	16	10.5	3.30	4.0	2.08	6.8	2.0	3.7	10	£54.58
SVBS-M6X20-PC	M6	20	10.5	3.30	4.0	2.08	6.8	2.0	4.3	10	£62.61
SVBS-M6X25-PC	M6	25	10.5	3.30	4.0	2.08	6.8	2.0	5.0	10	£67.42

Material

SUSXM7 (SUS304 Equivalent), chemical polish.

Options

Speciality-use product dimensions, profiles, materials, surface treatments, and special packaging.

Alternative surface treatments are available on request. Gold plating, Silver plating, Electroless Nickel plating and Raydent treatment are all available as options. Please contact sales for further information.

Applications

Remove trapped gases in the pilot bore through the ventilation hole (SVHS) and gases between the threads through the washer (SWAS-VF) with ventilation grooves.

Features

- May be used with vacuum chamber applications in clean rooms, FPD (Flat Panel Display) and semiconductor production equipment and devices.
- All clean washed, preventing the inclusion of oil and foreign particles.
- Chemical polishing improves surface roughness and reduces diffusion to microscopic levels.

+44 (0)1246 455500
+44 (0)1246 455522

ondrives

sales@ondrives.com
www.ondrives.com

Product information updated 1st April 2011 and subject to change. Please contact Sales for the latest prices and availability.