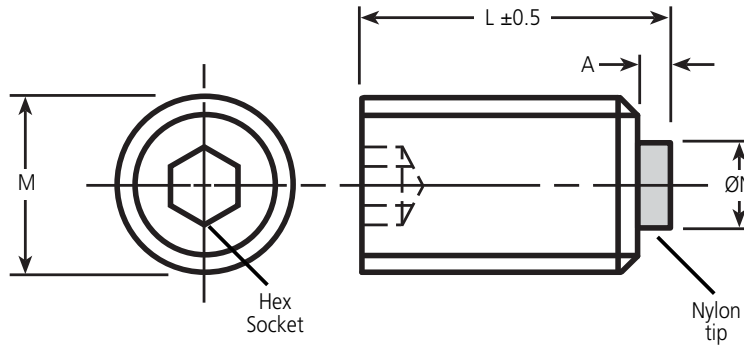


**NTM**

# FASTENERS

## Stainless Nylon Tipped Grub Screws

M2 - M10

**Discounts: 21+ -30% 51+ -40% 100+ -50%**

Part Number	Thread	L	ØN	A	Price Each 1 - 20
NTM2-4	M2 x 0.4	4.00	0.80	0.80	£7.10
NTM2-5	M2 x 0.4	5.00	0.80	0.80	£7.10
NTM2-6	M2 x 0.4	6.00	0.80	0.80	£6.53
NTM2-7	M2 x 0.4	7.00	0.80	0.80	£6.37
NTM3-4	M3 x 0.5	4.00	1.60	0.80	£2.76
NTM3-5	M3 x 0.5	5.00	1.60	0.80	£2.78
NTM3-6	M3 x 0.5	6.00	1.60	0.80	£2.43
NTM3-7	M3 x 0.5	7.00	1.60	0.80	£2.76
NTM4-5	M4 x 0.7	5.00	2.40	1.20	£2.43
NTM4-7	M4 x 0.7	7.00	2.40	1.20	£4.22
NTM4-11	M4 x 0.7	11.00	2.40	1.20	£4.33
NTM4-15	M4 x 0.7	15.00	2.40	1.20	£4.32
NTM5-7	M5 x 0.8	7.00	2.40	1.20	£3.82
NTM5-11	M5 x 0.8	11.00	2.40	1.20	£2.58
NTM5-15	M5 x 0.8	15.00	2.40	1.20	£3.97
NTM5-21	M5 x 0.8	21.00	2.40	1.20	£5.21
NTM6-7.5	M6 x 1.0	7.50	3.20	1.60	£3.01
NTM6-11.5	M6 x 1.0	11.50	3.20	1.60	£2.65
NTM6-17.5	M6 x 1.0	17.50	3.20	1.60	£4.67
NTM6-26.5	M6 x 1.0	26.50	3.20	1.60	£3.11
NTM10-14.5	M10 x 1.5	14.50	4.80	2.40	£5.58
NTM10-22.5	M10 x 1.5	22.50	4.80	2.40	£8.53
NTM10-32.5	M10 x 1.5	32.50	4.80	2.40	£8.58

### Material

Nylon tipped stainless steel

### Performance

Nylon tipped conforms to shape of shaft.  
 Extra holding power from full face contact.  
 Self locking.  
 Will not mar or damage shaft.

+44 (0)1246 455500  
 +44 (0)1246 455522

**ondrives**

sales@ondrives.com  
 www.ondrives.com

Product information updated 1st April 2011 and subject to change. Please contact Sales for the latest prices and availability.