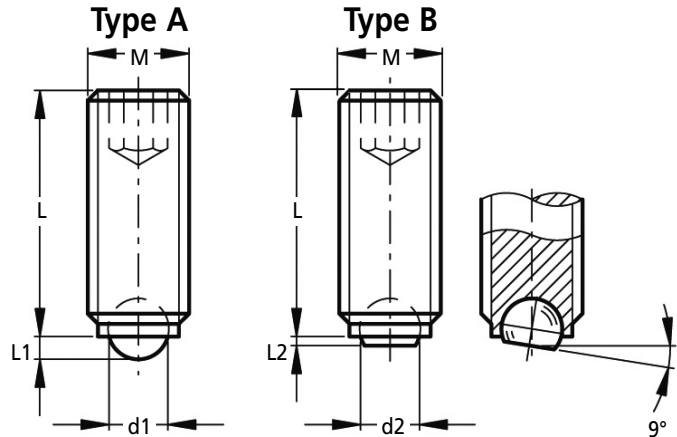


GN.14

FASTENERS

Steel Grub Screws with Ball Terminal

M4 - M16



Discounts: 20+ -5%	40+ -10%	60+ -15%	100+ -20%
---------------------------	----------	----------	-----------

Part Number	Thread M	Length L	L1	d1	Weight g	Price Each 1 - 19
TYPE A						
GN.14001	M4	6	0.80	2.50	1	£3.41
GN.14003	M4	10	0.80	2.50	1	£3.41
GN.14006	M4	16	0.80	2.50	1	£3.41
GN.14011	M5	8	0.90	3.00	1	£3.41
GN.14013	M5	12	0.90	3.00	1	£3.41
GN.14016	M5	20	0.90	3.00	2	£3.41
GN.14021	M6	10	1.40	4.00	2	£3.41
GN.14023	M6	16	1.40	4.00	3	£3.41
GN.14026	M6	25	1.40	4.00	4	£3.41
GN.14031	M8	10	1.70	5.50	3	£3.71
GN.14033	M8	12	1.70	5.50	3	£3.71
GN.14036	M8	20	1.70	5.50	6	£3.71
GN.14038	M8	30	1.70	5.50	9	£3.78
GN.14041	M10	12	2.30	7.00	5	£3.97
GN.14043	M10	16	2.30	7.00	7	£3.97
GN.14046	M10	25	2.30	7.00	11	£4.06
GN.14048	M10	35	2.30	7.00	16	£4.11
GN.14051	M12	16	2.80	8.00	10	£5.48
GN.14053	M12	20	2.80	8.00	13	£5.48
GN.14056	M12	30	2.80	8.00	20	£5.62
GN.14058	M12	40	2.80	8.00	28	£5.79
GN.14061	M16	20	4.00	12.00	22	£9.36
GN.14063	M16	25	4.00	12.00	28	£9.36
GN.14066	M16	35	4.00	12.00	41	£9.66
GN.14068	M16	50	4.00	12.00	48	£9.72

Part Number	Thread M	Length L	L2	d1	d2	Weight g	Price Each 1 - 19
TYPE B							
GN.14321	M6	10	0.60	4.00	3.20	2	£5.32
GN.14323	M6	16	0.60	4.00	3.20	3	£5.32
GN.14326	M6	25	0.60	4.00	3.20	4	£5.32
GN.14331	M8	10	0.70	5.50	4.20	3	£6.09
GN.14333	M8	12	0.70	5.50	4.20	3	£5.99
GN.14336	M8	20	0.70	5.50	4.20	6	£6.02
GN.14338	M8	30	0.70	5.50	4.20	9	£6.09
GN.14341	M10	12	0.80	7.00	5.70	5	£6.38
GN.14343	M10	16	0.80	7.00	5.70	7	£6.34
GN.14346	M10	25	0.80	7.00	5.70	11	£6.49
GN.14348	M10	35	0.80	7.00	5.70	16	£6.54
GN.14351	M12	16	0.90	8.00	7.10	10	£8.50
GN.14353	M12	20	0.90	8.00	7.10	13	£8.35
GN.14356	M12	30	0.90	8.00	7.10	20	£8.61
GN.14358	M12	40	0.90	8.00	7.10	28	£8.61
GN.14361	M16	20	1.50	12.00	9.70	22	£12.64
GN.14363	M16	25	1.50	12.00	9.70	28	£12.77
GN.14366	M16	35	1.50	12.00	9.70	41	£12.94
GN.14368	M16	50	1.50	12.00	9.70	48	£13.14

Material

Black oxide steel screw with hexagon socket head.

Ball: Hardened steel. Maximum ball plane inclination = 9°.

Application

Suitable for locking or supporting pieces to be machined.

Type A: Ball for applications requiring a single point contact.**Type B:** Reversible flat-faced ball for fitting non-parallel surfaces.

Other Info.

Also available on request (minimum order quantities may apply)

- Screws with non-reversible flat-faced ball.

- Screws with non-reversible knurled flat-faced ball.



+44 (0)1246 455500

+44 (0)1246 455522

ondrives

sales@ondrives.com

www.ondrives.com

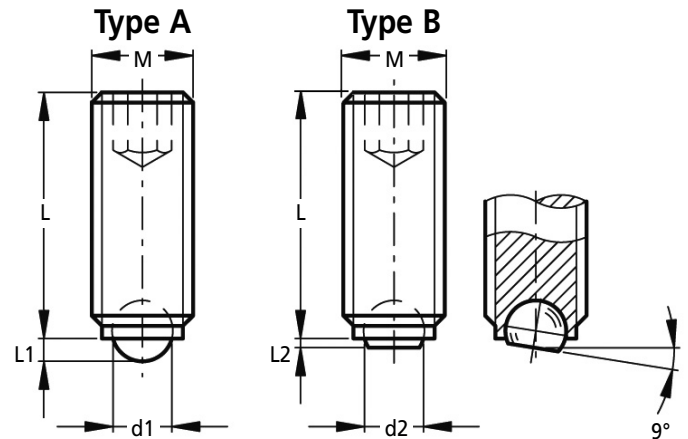
Product information updated 1st April 2011 and subject to change. Please contact Sales for the latest prices and availability.

FASTENERS

Stainless Grub Screws with Ball Terminal

M4 - M16

GN.14



Discounts: 20+ -5% 40+ -10% 60+ -15% 100+ -20%

Part Number	Thread M	Length L	L1	d1	Weight g	Price Each 1 - 19
TYPE A						
GN.14101	M4	6	0.80	2.50	1	£5.62
GN.14103	M4	10	0.80	2.50	1	£5.62
GN.14106	M4	16	0.80	2.50	1	£5.62
GN.14111	M5	8	0.90	3.00	1	£5.62
GN.14113	M5	12	0.90	3.00	1	£5.62
GN.14116	M5	20	0.90	3.00	2	£5.68
GN.14121	M6	10	1.40	4.00	2	£6.22
GN.14123	M6	16	1.40	4.00	3	£6.22
GN.14126	M6	25	1.40	4.00	4	£6.22
GN.14131	M8	10	1.70	5.50	3	£7.00
GN.14133	M8	12	1.70	5.50	3	£7.00
GN.14136	M8	20	1.70	5.50	6	£7.59
GN.14138	M8	30	1.70	5.50	9	£7.64
GN.14141	M10	12	2.30	7.00	5	£8.61
GN.14143	M10	16	2.30	7.00	7	£8.10
GN.14146	M10	25	2.30	7.00	11	£9.52
GN.14148	M10	35	2.30	7.00	16	£9.52
GN.14151	M12	16	2.80	8.00	10	£10.97
GN.14153	M12	20	2.80	8.00	13	£10.42
GN.14156	M12	30	2.80	8.00	20	£12.68
GN.14158	M12	40	2.80	8.00	28	£12.74
GN.14161	M16	20	4.00	12.00	22	£20.93
GN.14163	M16	25	4.00	12.00	28	£19.83
GN.14166	M16	35	4.00	12.00	41	£21.85
GN.14168	M16	50	4.00	12.00	48	£25.48

Part Number	Thread M	Length L	L2	d1	d2	Weight g	Price Each 1 - 19
TYPE B							
GN.14421	M6	10	0.60	4.00	3.20	1	£8.45
GN.14423	M6	16	0.60	4.00	3.20	2	£8.45
GN.14426	M6	25	0.60	4.00	3.20	4	£8.50
GN.14431	M8	10	0.70	5.50	4.20	2	£8.91
GN.14433	M8	12	0.70	5.50	4.20	3	£8.61
GN.14436	M8	20	0.70	5.50	4.20	5	£9.25
GN.14438	M8	30	0.70	5.50	4.20	8	£9.25
GN.14441	M10	12	0.80	7.00	5.70	4	£11.88
GN.14443	M10	16	0.80	7.00	5.70	6	£11.42
GN.14446	M10	25	0.80	7.00	5.70	10	£12.24
GN.14448	M10	35	0.80	7.00	5.70	15	£12.28
GN.14451	M12	16	0.90	8.00	7.10	8	£13.45
GN.14453	M12	20	0.90	8.00	7.10	11	£12.88
GN.14456	M12	30	0.90	8.00	7.10	19	£14.72
GN.14458	M12	40	0.90	8.00	7.10	25	£15.19
GN.14461	M16	20	1.50	12.00	9.70	20	£24.06
GN.14463	M16	25	1.50	12.00	9.70	27	£24.06
GN.14466	M16	35	1.50	12.00	9.70	40	£26.74
GN.14468	M16	50	1.50	12.00	9.70	59	£31.48

Material

AISI 304 Stainless Steel screw with hexagon socket head.
Ball: Hardened Stainless Steel. Maximum ball plane inclination = 9°.

Application

Suitable for locking or supporting pieces to be machined. AISI 304 Stainless Steel offers high corrosion resistance and allows use on machines and equipment in those sectors where laws or particular hygienic, climactic and environmental factors make it mandatory to use corrosion resistant materials.

Type A: Ball for applications requiring a single point contact.

Type B: Reversible flat-faced ball for fitting non-parallel surfaces.

Other Info.

Also available on request (minimum order quantities may apply)
 - Screws with non-reversible flat-faced ball.
 - Screws with non-reversible knurled flat-faced ball.



+44 (0)1246 455500
 +44 (0)1246 455522

ondrives

sales@ondrives.com
 www.ondrives.com

Product information updated 1st April 2011 and subject to change. Please contact Sales for the latest prices and availability.