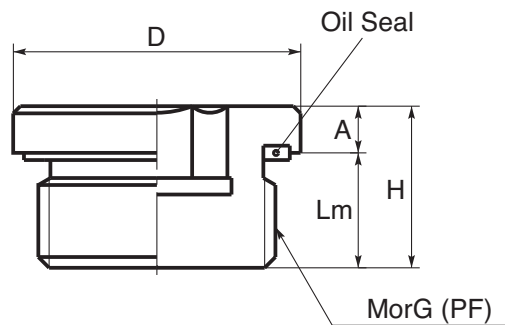
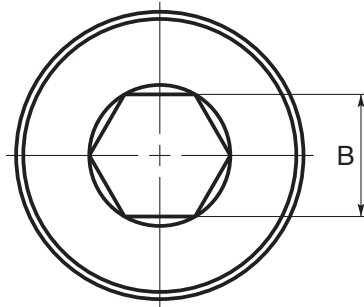


**SPN**

# FASTENERS

## Hexagon Socket Flange Head Screw Plugs

Metric Fine Thread with Oil Seal

**Discounts: 21+ -10% 51+ -20%**

Part Number	M	D	H	A	Lm	B	Wrench Torque (Nm)	Mass (g)	Price Each 1 - 20
SPN-M10-L	M10x1	14	12.0	4.0	8	5	10	8	£4.62
SPN-M12-L	M12x1.5	17	17.0	5.0	12	6	20	14	£5.43
SPN-M14-L	M14x1.5	19	17.0	5.0	12	6	30	20	£5.99
SPN-M16-L	M16x1.5	22	17.0	5.0	12	8	34	25	£7.23
SPN-M18-L	M18x1.5	24	17.0	5.0	12	8	42	30	£7.79
SPN-M22-L	M22x1.5	27	19.0	5.0	14	10	60	50	£10.20
SPN-M26-L	M26x1.5	32	21.0	5.0	16	12	70	75	£14.22
SPN-M27-L	M27x2	32	21.0	5.0	16	12	85	80	£14.22
SPN-M33-L	M33x2	40	22.5	6.5	16	17	130	130	£22.29
SPN-M42-H	M42x2	50	22.5	6.5	16	22	240	210	£34.92
SPN-M48-H	M48x2	55	22.5	6.5	16	24	280	260	£49.96

### Material

Body: SUM22L, trivalent chromate treatment  
 Oil Seal (SPN-L): NBR (Black), (SPN-H): VITON (Green)  
 VITON is a registered trademark of DuPont.

### Features

- Screw plug for high pressure hydraulic uses.
- Standardised for metric fine threads and pipe-use parallel threads.

### Performance

Max. Operating Temperature (SPN-L) 120°C, (SPN-H) 200°C.  
 Max. Permissible Operating Pressure (SPN-L) 40 MPa, (SPN-H) 25 MPa.

+44 (0)1246 455500  
 +44 (0)1246 455522

**ondrives**

sales@ondrives.com  
 www.ondrives.com

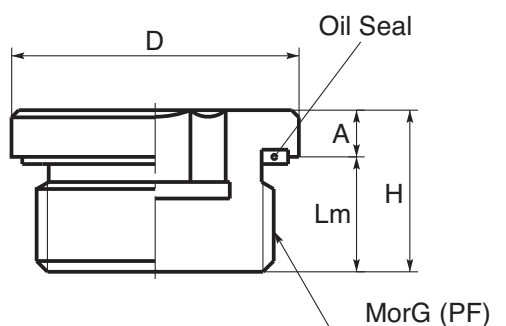
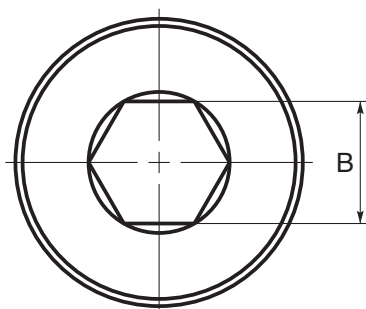
Product information updated 1st April 2011 and subject to change. Please contact Sales for the latest prices and availability.

# FASTENERS

SPN

## Hexagon Socket Flange Head Screw Plugs

Pipe Use, Parallel Thread with Oil Seal



Discounts: 21+ -10% 51+ -20%

Part Number	G (PF)	D	H	A	Lm	B	Wrench Torque (Nm)	Mass (g)	Price Each 1 - 20
SPN-1-L	G 1/8"	14	12.0	4.0	8	5	10	10	£4.62
SPN-2-L	G 1/4"	19	17.0	5.0	12	6	26	26	£5.99
SPN-3-L	G 3/8"	22	17.0	5.0	12	8	34	34	£7.23
SPN-4-L	G 1/2"	27	19.0	5.0	14	10	60	60	£10.20
SPN-6-L	G 3/4"	32	21.0	5.0	16	12	85	85	£14.22
SPN-8-L	G 1"	40	22.5	6.5	16	17	130	130	£22.29
SPN-10-L	G 1 1/4"	50	22.5	6.5	16	22	240	210	£39.30
SPN-12-H	G 1 1/2"	55	22.5	6.5	16	24	280	260	£55.78

### Material

Body: SUM22L, trivalent chromate treatment  
Oil Seal (SPN-L): NBR (Black), (SPN-H): VITON (Green)  
VITON is a registered trademark of DuPont.

### Features

- Screw plug for high pressure hydraulic uses.
- Standardised for metric fine threads and pipe-use parallel threads.

### Performance

Max. Operating Temperature (SPN-L) 120°C, (SPN-H) 200°C.  
Max. Permissible Operating Pressure (SPN-L) 40 MPa, (SPN-H) 25 MPa.

+44 (0)1246 455500  
+44 (0)1246 455522

**ondrives**

sales@ondrives.com  
www.ondrives.com

Product information updated 1st April 2011 and subject to change. Please contact Sales for the latest prices and availability.