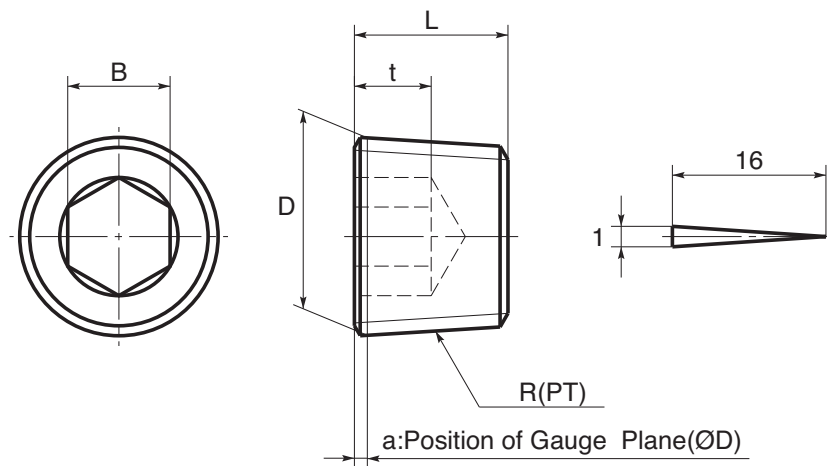


# FASTENERS

**SFTS**

## Socket Head Cap Screw Plugs Standard and Pre-Coat Seals - Stainless Steel



**Discounts: 21+ -10% 51+ -20%**

Part Number		R (PT)	D	a	L	B	t	Mass g	Price Each 1 - 20	
Standard	Pre-Coat Seals								Standard	Pre-Coat Seals
SFTS-1	SFTS-1-PS	R 1/8"	9.728	0.45	7.0	5	3.5	3	£2.85	£3.36
SFTS-2	SFTS-2-PS	R 1/4"	13.157	0.70	8.9	6	4.5	6	£4.78	£5.43
SFTS-3	SFTS-3-PS	R 3/8"	16.662	0.70	10.0	8	5.0	11	£6.22	£7.07
SFTS-4	SFTS-4-PS	R 1/2"	20.955	0.90	12.0	10	6.0	21	£8.66	£9.78
SFTS-6	SFTS-6-PS	R 3/4"	26.441	0.90	14.0	14	7.0	38	£17.96	£19.90
SFTS-8	SFTS-8-PS	R 1"	33.249	1.10	16.5	17	9.0	74	£32.44	£35.16

### Material

SUSXM7 (SUS304 Equivalent).

### Features

- Useful with hydraulic and pneumatic equipment.
- SFTS-PS are pre-coat seal types which do not need sealing tape or sealing agents. This element reduces work time.
- The highly effective seal is excellent for resistance against oil, gasoline, water and heat.

+44 (0)1246 455500  
+44 (0)1246 455522

**ondrives**

sales@ondrives.com  
www.ondrives.com

Product information updated 1st April 2011 and subject to change. Please contact Sales for the latest prices and availability.