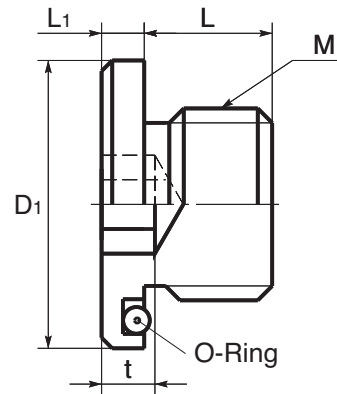
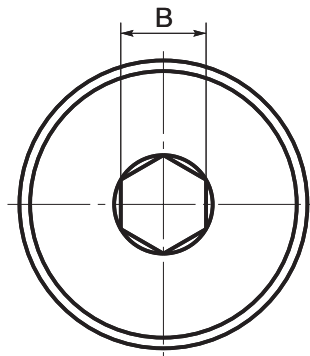


# FASTENERS

SFMS

## Hexagon Socket Flange Head Screw Plugs with O-Ring (Stainless Steel)



Discounts: 21+ -10% 51+ -20%

Part Number	M	L	D1	L1	B	t	O-Ring No.	Torsional Breaking Torque (Nm)	Mass g	Price Each 1 - 20
SFMS-M8	M8x1	7	16.0	4	5	3.5	P10	10.9	4	£10.58
SFMS-M10	M10x1	8	19.5	4	5	4.0	P12.5	13.7	7	£11.38
SFMS-M12	M12x1.5	12	21.0	4	6	5.0	P14	19.2	14	£12.51
SFMS-M14	M14x1.5	12	23.0	4	6	5.0	P16	27.4	19	£13.46
SFMS-M16	M16x1.5	12	25.0	4	8	6.0	P18	44.5	25	£14.60
SFMS-M18	M18x1.5	12	27.0	4	8	6.0	P20	54.9	32	£16.03
SFMS-M20	M20x1.5	14	32.5	5	10	6.5	P22.4	78.9	47	£19.40
SFMS-M22	M22x1.5	14	35.0	5	10	6.5	P25	96.1	57	£20.69
SFMS-M24	M24x1.5	14	38.0	5	12	7.5	P28	141.0	68	£22.48
SFMS-M27	M27x2	16	40.0	5	12	7.5	P30	172.0	94	£32.09

### Material

Body: SUS304.

O-Ring: Fluoride rubber.

### Features

- Ring is attached.
- Due to the screws parallel threads, there are no instances of distortion in the thread system. As a result it is useful in most hydraulic and pneumatic machinery and equipment.

+44 (0)1246 455500  
+44 (0)1246 455522

**ondrives**

sales@ondrives.com  
www.ondrives.com

Product information updated 1st April 2011 and subject to change. Please contact Sales for the latest prices and availability.