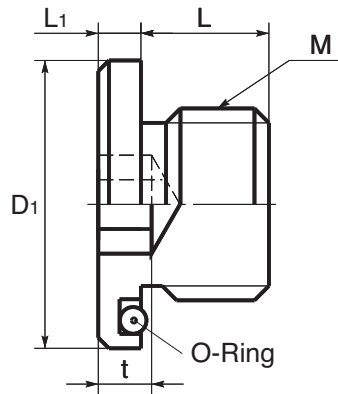
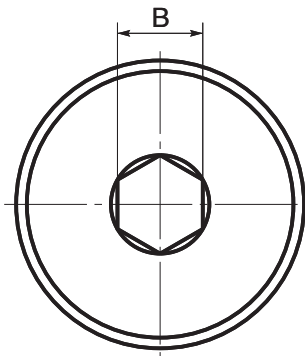


SFM

FASTENERS

Hexagon Socket Flange Head Screw Plugs with O-Ring (Steel)

**Discounts: 21+ -10% 51+ -20%**

Part Number	M	L	D1	L1	B	t	O-Ring No.	Torsional Breaking Torque (Nm)	Mass g	Price Each 1 - 20
SFM-M8	M8x1	7	16.0	4	5	3.5	P10	15.7	4	£5.99
SFM-M10	M10x1	8	19.5	4	5	4.0	P12.5	19.6	7	£6.42
SFM-M12	M12x1.5	12	21.0	4	6	5.0	P14	27.5	14	£6.79
SFM-M14	M14x1.5	12	23.0	4	6	5.0	P16	39.2	19	£7.59
SFM-M16	M16x1.5	12	25.0	4	8	6.0	P18	63.7	25	£8.03
SFM-M18	M18x1.5	12	27.0	4	8	6.0	P20	78.5	32	£8.41
SFM-M20	M20x1.5	14	32.5	5	10	6.5	P22.4	113.0	47	£11.81
SFM-M22	M22x1.5	14	35.0	5	10	6.5	P25	137.0	57	£12.63
SFM-M24	M24x1.5	14	38.0	5	12	7.5	P28	201.0	68	£13.86
SFM-M27	M27x2	16	40.0	5	12	7.5	P30	245.0	94	£37.70

Material

Body: SCM435 (Hardness: 32~42HRC), black ferrosferric oxide coating.

O-Ring: Nitrile rubber.

Features

- Ring is attached.
- Due to the screws parallel threads, there are no instances of distortion in the thread system. As a result it is useful in most hydraulic and pneumatic machinery and equipment.

+44 (0)1246 455500
+44 (0)1246 455522

ondrives

sales@ondrives.com
www.ondrives.com

Product information updated 1st April 2011 and subject to change. Please contact Sales for the latest prices and availability.