

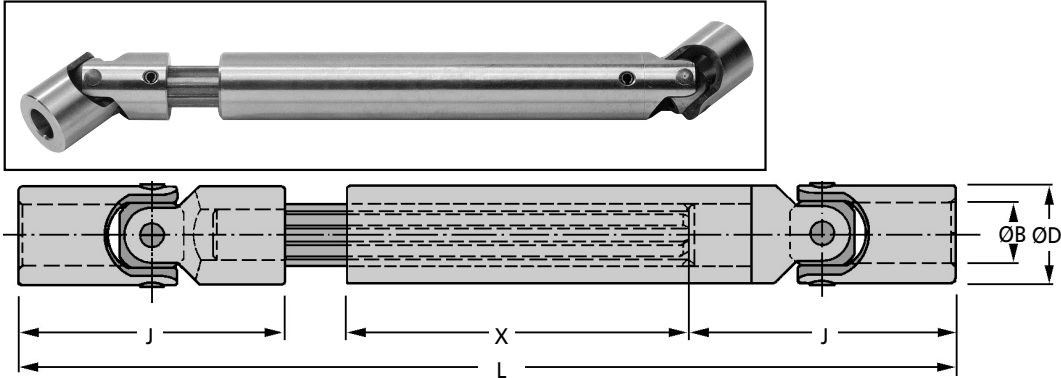
COUPLINGS

Telescopic Universal Joints

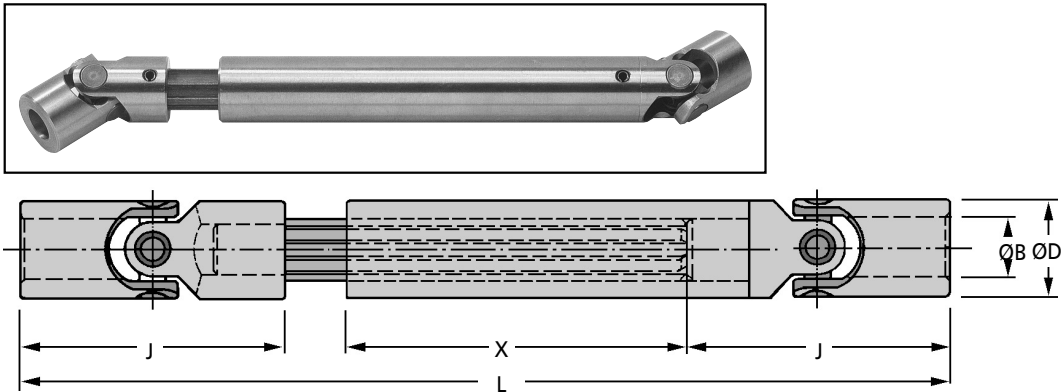
DIN 808 : 10 - 32mm Bores

THU
THNU

THU Type Hardened Pins - DIN 808-G



THNU Type Needle Roller - DIN 808-W



Discounts: 6+ -20%

Part Number	ØB H7	ØD	J	X	Min L	Stroke	Max L	Spline Profile	Weight Kg	Price Each 1 - 5
DIN 808-G										
THU-20	10	20	48	120	230	80	310	11-14-3	0.6	£180.13
THU-25	12	25	56	140	260	90	350	13-16-3.5	0.9	£213.60
THU-32	16	32	68	180	340	110	450	16-20-4	2.1	£274.73
THU-40	20	40	82	220	420	130	550	21-25-5	4.0	£344.15
THU-50	25	50	104	260	500	150	650	26-32-6	6.8	£422.52
THU-63	32	63	130	320	600	200	800	36-42-7	10.5	£655.58
DIN 808-W										
THNU-20	10	20	48	120	230	80	310	11-14-3	0.6	£296.15
THNU-25	12	25	56	140	260	90	350	13-16-3.5	0.9	£325.26
THNU-32	16	32	68	180	340	110	450	16-20-4	2.1	£368.95
THNU-40	20	40	82	220	420	130	550	21-25-5	4.0	£433.03
THNU-50	25	50	104	260	500	150	650	26-32-6	6.8	£486.86

Material

THU: Steel 9SMn Pb36K DIN 808-G

THNU: Steel 9SMn Pb36K DIN 808-W

Performance

Max Speed (THU): 800 Rpm

Max Speed (THNU): 4000 Rpm

Extras

For keyways in bores, add **K** to end of part number - P.O.A.

Options

Other bores, square bores and hexagon bores are available on request. Please ask for a quote.

+44 (0)1246 455500

+44 (0)1246 455522

ondrives

sales@ondrives.com

www.ondrives.com

Product information updated 1st April 2011 and subject to change. Please contact Sales for the latest prices and availability.