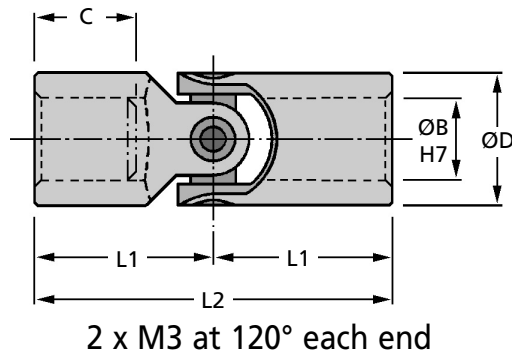
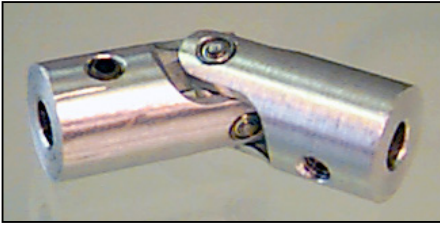


COUPLINGS

Miniature Bearing Universal Joints Single

MU-A



Part Number	Bore ØB H7	ØD	L1	L2	C	Tapped Holes	Rated Torque Nm	Price Each
MU813A	5	13	21	42	11	M3	0.5	£39.00

Material

Body: Aluminium
Pins: Stainless steel
Centre Piece: Stainless steel
Bearing: Steel
Fasteners: Steel

Performance

Max Speed: 4000Rpm

+44 (0)1246 455500
+44 (0)1246 455522

ondrives

sales@ondrives.com
www.ondrives.com

Product information updated 1st April 2011 and subject to change. Please contact Sales for the latest prices and availability.