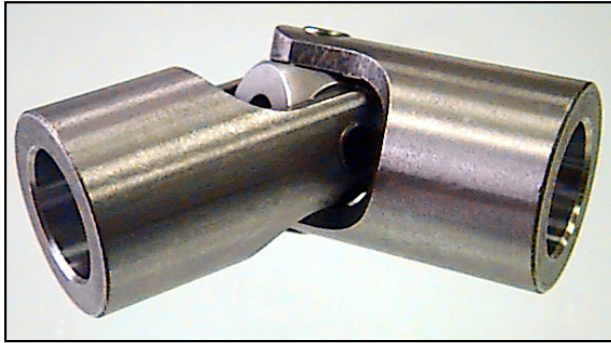


**HU-A  
U8R**

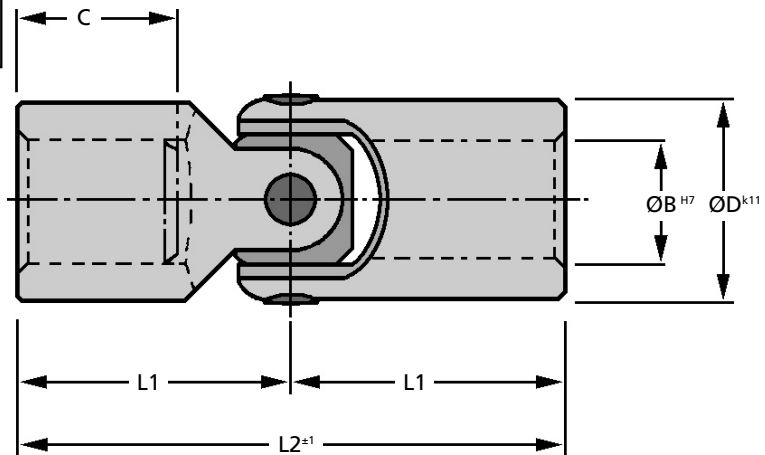
# COUPLINGS

## Hardened Pin Universal Joints

DIN 808-G (DIN 7551) : 8 - 50mm Bores



### HU-A Type Single Steel



**Discounts:** 11+ -10% | 51+ -20% | 101+ -25% | 200+ -35% | 500+ -45% | 1000+ -48%

Part Number Universal Joint	Rubber Cover	Std. & Max. ØB <sup>H7</sup>	ØD <sup>k11</sup>	C	L1	L2 <sup>±1</sup>	Weight g	Static Axial Load N	Backlash		Price Each 1 - 10	
									at Nm	arc min	Joint	Cover
HU813A	-	8	13	11	21	42	30	45	-	-	£29.58	-
HU816A	U8R-02	10	16	15	26	52	50	75	0.2	1°45'	£31.81	£5.79
HU816A1	U8R-02	6	16	9	17	34	35	40	0.2	1°45'	£31.81	£5.79
HU816A2	U8R-02	8	16	11	20	40	40	40	0.2	1°45'	£31.81	£5.79
HU820A	U8R-04	12	20	18	31	62	95	140	0.4	1°40'	£34.86	£6.12
HU820A1	U8R-04	10	20	12	24	48	75	90	0.4	1°40'	£34.86	£6.12
HU825A	U8R-1	16	25	22	37	74	180	260	1.0	1°32'	£40.40	£6.33
HU825A1	U8R-1	12	25	14	28	56	140	150	1.0	1°32'	£40.40	£6.33
HU832A	U8R-3	20	32	25	43	86	330	485	1.7	1°28'	£47.02	£7.68
HU832A1	U8R-3	16	32	16	34	68	290	300	1.7	1°28'	£47.02	£7.68
HU840A	U8R-5	25	40	32	54	108	650	950	3.4	1°25'	£66.71	£8.62
HU840A1	U8R-5	20	40	20	41	82	530	650	3.4	1°25'	£66.71	£8.62
HU850A	U8R-7	32	50	40	66	132	1,260	1,800	5.4	1°20'	£89.63	£10.78
HU850A1	U8R-7	25	50	25	52	104	1,140	1,200	5.4	1°20'	£89.63	£10.78
HU863A	U8R-9	40	63	48	83	166	2,350	3,750	15.0	1°18'	£208.92	£15.09
HU863A1	U8R-9	32	63	33	65	130	2,080	2,400	15.0	1°18'	£208.92	£15.09
HU875A	U8R-11	40	75	43	80	160	3,500	3,500	22.0	1°16'	£302.94	£18.94
HU890A	U8R-13	50	90	52	95	190	6,150	6,150	28.0	1°14'	£499.87	£53.13

### Material

Steel 9SMn Pb36K

### Performance

Max. Speed: 800 Rpm Max.

See technical pages for torques at different speed and angles.

Needs to be well lubricated. Recommend fitting PVC rubber cover filled with grease or for adverse conditions high speed and angle forced oil lubrication may be needed. Covers available for size 16 upwards

### Options

Smaller bores, keyways (add **K** to end of part number - P.O.A.), squares, hexagons, short length series, rubber covers.

Please ask for a quote

+44 (0)1246 455500

+44 (0)1246 455522

**ondrives**

sales@ondrives.com

www.ondrives.com

Product information updated 1st April 2011 and subject to change. Please contact Sales for the latest prices and availability.

# COUPLINGS

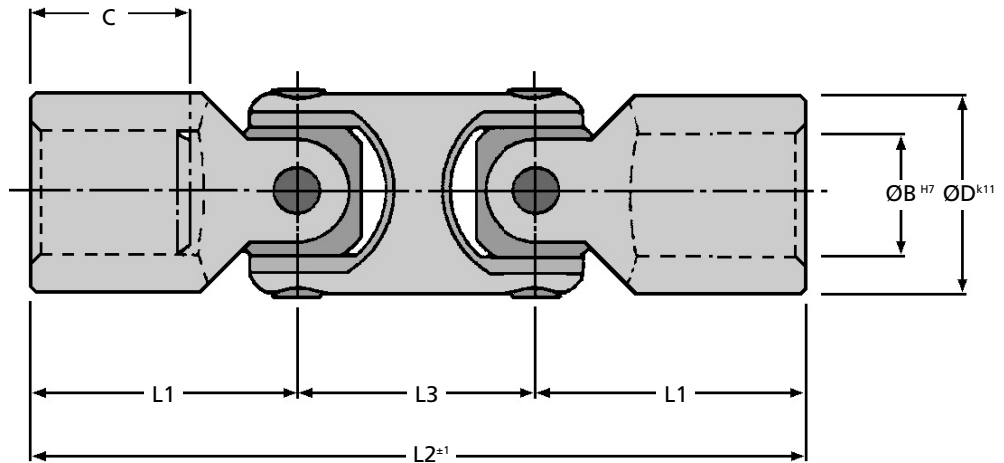
**HU-C  
U8R**

## Hardened Pin Universal Joints

DIN 808-G (DIN 7551) : 8 - 50mm Bores



**HU-C Type Double Steel**



**Discounts:** 11+ -10% | 51+ -20% | 101+ -25% | 200+ -35% | 500+ -45% | 1000+ -48%

Part Number Universal Joint	Rubber Cover	Std. & Max. ØB <sup>H7</sup>	ØD <sup>k11</sup>	C	L1	L2 <sup>±1</sup>	L3	Weight g	Static Axial Load N	Backlash		Price Each 1 - 10	
										at Nm	arc min	Joint	Cover
HU813C	-	8	13	11	21	60	18	45	-	-	-	£59.13	-
HU816C	U8R-19	10	16	15	26	74	22	75	-	0.2	1°30'	£63.79	£10.17
HU816C1	U8R-19	6	16	9	17	56	22	55	40	0.2	1°30'	£63.79	£10.17
HU816C2	U8R-19	8	16	11	20	62	22	80	40	0.2	1°30'	£63.79	£10.17
HU820C	U8R-20	12	20	18	31	88	26	140	-	0.4	1°20'	£70.11	£11.09
HU820C1	U8R-20	10	20	12	24	74	26	145	90	0.4	1°20'	£70.11	£11.09
HU825C	U8R-21	16	25	22	37	104	30	260	-	1.0	1°04'	£80.57	£12.88
HU825C1	U8R-21	12	25	14	28	86	30	240	150	1.0	1°04'	£80.57	£12.88
HU832C	U8R-23	20	32	25	43	124	37	485	-	1.7	0°56'	£94.38	£15.40
HU832C1	U8R-23	16	32	16	34	104	37	445	300	1.7	0°56'	£94.38	£15.40
HU840C	U8R-25	25	40	32	54	156	47	950	-	3.4	0°50'	£133.21	£17.54
HU840C1	U8R-25	20	40	20	41	128	47	860	650	3.4	0°50'	£133.21	£17.54
HU850C	U8R-27	32	50	40	66	188	56	1,800	-	5.4	0°40'	£215.59	£22.36
HU850C1	U8R-27	25	50	25	52	160	56	1,680	1,200	5.4	0°40'	£179.66	£22.36
HU863C	-	40	63	48	83	236	70	3,750	-	15.0	0°36'	£417.84	-
HU863C1	-	32	63	33	65	200	70	3,280	2,400	15.0	0°36'	£417.84	-
HU875C	-	40	75	43	80	245	85	5,280	3,500	22.0	0°32'	£605.89	-
HU890C	-	50	90	52	90	290	100	9,400	6,150	28.0	0°28'	£999.73	-

### Material

Steel 9SMn Pb36K

### Performance

Max. Speed: 800 Rpm Max.

See technical pages for torques at different speed and angles.

Needs to be well lubricated. Recommend fitting PVC rubber cover filled with grease or for adverse conditions high speed and angle forced oil lubrication may be needed. Covers available for size 16 upwards

### Options

Smaller bores, keyways (add **K** to end of part number - P.O.A.), squares, hexagons, short length series, rubber covers.

Please ask for a quote

+44 (0)1246 455500

+44 (0)1246 455522

**ondrives**

sales@ondrives.com

www.ondrives.com

Product information updated 1st April 2011 and subject to change. Please contact Sales for the latest prices and availability.