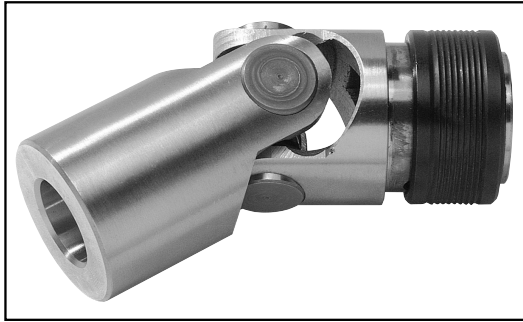


COUPLINGS

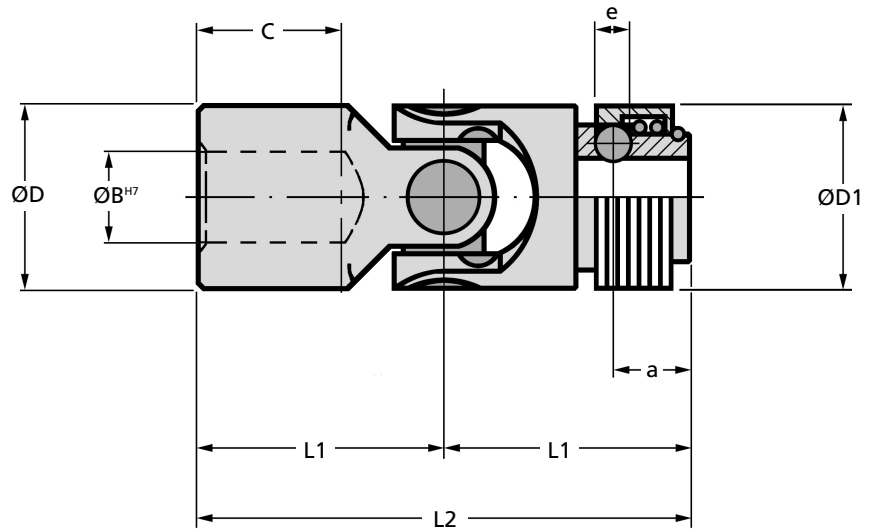
HNUQ-A

Quick Release Needle Roller Universal Joints

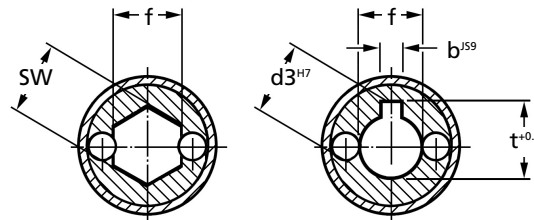
DIN808-W Low Backlash : 10 - 25mm Bores



HNUQ-A Type Single Steel



Quick Release End



Discounts: 11+ -10% 51+ -20% 101+ -25% 200+ -35% 500+ -45% 1000+ -48%

Part Number	Universal Joint	Rubber Cover	ØB ^{H7}	ØD	ØD1	C	L1	L2	Quick Release			Weight g	Hex A/F SW	Ød ^{H7}	b ^{J59}	t ^{+0.2}	Price Each 1 - 10	
									a	f	e						Joint	Cover
HNUQ820A1	U8R-04		10	20	19.8	18	31	62	11.5	8.7	3.95	80	-	10	3	11.0	£104.60	£6.12
HNUQ820A2	U8R-04		10	20	19.8	18	31	62	11.5	8.0	3.50	80	9.06	-	-	-	£104.60	£6.12
HNUQ825A1	U8R-1		14	25	24.5	22	37	74	13.5	13.0	4.00	160	-	14	5	15.3	£111.55	£6.33
HNUQ825A2	U8R-1		14	25	24.0	22	37	74	13.5	10.5	4.00	160	11.15	-	-	-	£111.55	£6.33
HNUQ825A3	U8R-1		14	25	24.5	22	37	74	13.5	10.5	4.00	160	14.04	-	-	-	£111.55	£6.33
HNUQ832A1	U8R-3		16	32	31.5	25	43	86	14.0	14.8	6.35	295	-	16	5	17.3	£117.58	£7.68
HNUQ832A2	U8R-3		16	32	31.5	25	43	86	14.0	14.8	6.35	295	16.00	-	-	-	£117.58	£7.68
HNUQ832A3	U8R-3		16	32	24.5	25	43	86	14.0	12.8	6.35	295	-	14	5	15.3	£117.58	£7.68
HNUQ832A4	U8R-3		16	32	24.5	25	43	86	14.0	12.8	6.35	295	14.04	-	-	-	£117.58	£7.68
HNUQ840A1	U8R-5		20	40	39.5	32	54	108	19.0	18.0	8.00	570	-	20	6	21.7	£133.81	£8.62
HNUQ840A2	U8R-5		20	40	39.5	32	54	108	19.0	18.0	8.00	570	20.00	-	-	-	£133.81	£8.62
HNUQ850A1	U8R-7		25	50	49.5	40	66	132	20.5	23.0	10.00	1,150	-	25	8	26.7	£175.26	£10.78
HNUQ850A2	U8R-7		25	50	49.5	40	66	132	20.5	23.0	10.00	1,150	25.00	-	-	-	£175.26	£10.78

Material

Steel 9SMn Pb36K

Forged centre cross with hard ground ends for needle bearings. (Needle bearings sealed).

Performance

Max. Speed: 4,000 Rpm Max.

See technical pages for torques at different speed and angles.

+44 (0)1246 455500

+44 (0)1246 455522

ondrives

sales@ondrives.com

www.ondrives.com

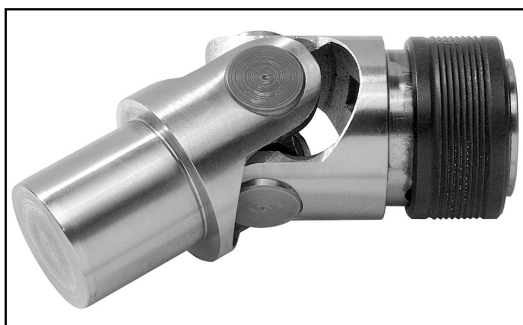
Product information updated 1st April 2011 and subject to change. Please contact Sales for the latest prices and availability.

COUPLINGS

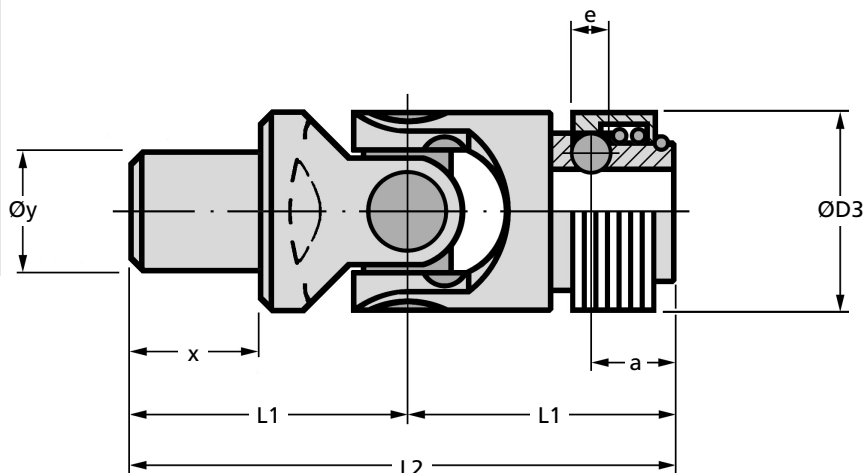
Quick Release Needle Roller Universal Joints

DIN808-W Low Backlash : 10 - 25mm Bores

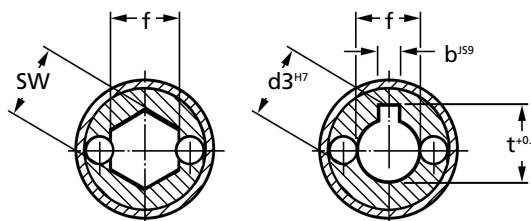
HNUQ-A



HNUQ-A Type Single Steel



Quick Release End



Discounts: 11+ -10% | 51+ -20% | 101+ -25% | 200+ -35% | 500+ -45% | 1000+ -48%

Part Number	Universal Joint	Rubber Cover	ØB ^{H7}	ØD	ØD1	C	L1	L2	Quick Release			Weight g	Hex A/F SW	Ød3 ^{H7}	b ^{JS9}	t ^{+0.2}	Øy	x	Price Each 1 - 10	
									a	f	e								Joint	Cover
HNUQ820A3	U8R-04		10	20	19.8	18	31	62	11.5	8.7	3.95	80	-	10	3	11.0	20	L1	£104.60	£6.12
HNUQ820A4	U8R-04		10	20	19.8	18	31	62	11.5	8.0	3.50	80	9.06	-	-	20	L1	£104.60	£6.12	
HNUQ825A4	U8R-1		14	25	24.5	22	37	74	13.5	13.0	4.00	160	-	14	5	15.3	25	L1	£111.55	£6.33
HNUQ825A5	U8R-1		14	25	24.0	22	37	74	13.5	10.5	4.00	160	11.15	-	-	25	L1	£111.55	£6.33	
HNUQ825A6	U8R-1		14	25	24.5	22	37	74	13.5	10.5	4.00	160	14.04	-	-	25	L1	£111.55	£6.33	
HNUQ832A5	U8R-3		16	32	31.5	25	43	86	14.0	14.8	6.35	295	-	16	5	17.3	32	L1	£117.58	£7.68
HNUQ832A6	U8R-3		16	32	31.5	25	43	86	14.0	14.8	6.35	295	16.00	-	-	32	L1	£117.58	£7.68	
HNUQ832A7	U8R-3		16	32	24.5	25	43	86	14.0	12.8	6.35	295	-	14	5	15.3	32	L1	£117.58	£7.68
HNUQ832A8	U8R-3		16	32	24.5	25	43	86	14.0	12.8	6.35	295	14.04	-	-	32	L1	£117.58	£7.68	
HNUQ840A3	U8R-5		20	40	39.5	32	54	108	19.0	18.0	8.00	570	-	20	6	21.7	40	L1	£133.81	£8.62
HNUQ840A4	U8R-5		20	40	39.5	32	54	108	19.0	18.0	8.00	570	20.00	-	-	40	L1	£133.81	£8.62	
HNUQ850A3	U8R-7		25	50	49.5	40	66	132	20.5	23.0	10.00	1,150	-	25	8	26.7	50	L1	£175.26	£10.78
HNUQ850A4	U8R-7		25	50	49.5	40	66	132	20.5	23.0	10.00	1,150	25.00	-	-	50	L1	£175.26	£10.78	

Material

Steel 9SMn Pb36K

Forged centre cross with hard ground ends for needle bearings. (Needle bearings sealed).

Performance

Max. Speed: 4,000 Rpm Max.

See technical pages for torques at different speed and angles.

Other Info.

Dimensions **x** and **Øy** supplied blank as standard but can be made to your specific requirements - P.O.A.

+44 (0)1246 455500
+44 (0)1246 455522

ondrives

sales@ondrives.com
www.ondrives.com

Product information updated 1st April 2011 and subject to change. Please contact Sales for the latest prices and availability.