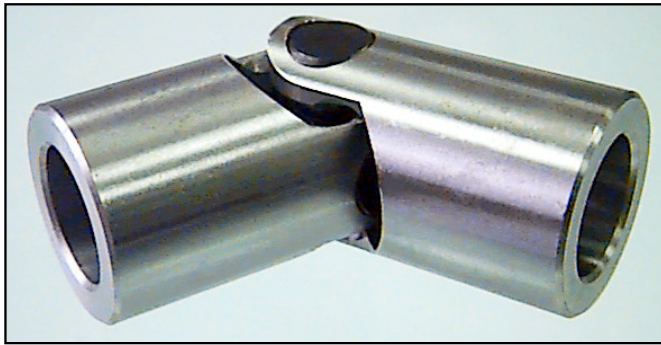


**HNU-A  
U8R**

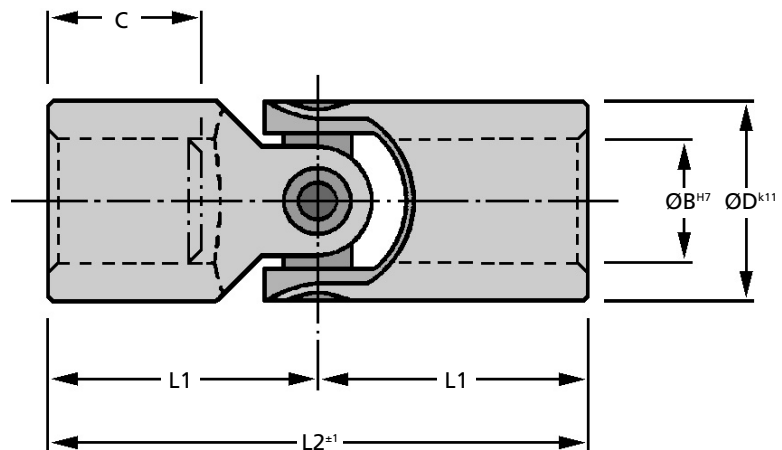
# COUPLINGS

## Needle Roller Universal Joints

DIN808-W (DIN 7751) Low Backlash : 12 - 50mm Bores



**HNU-A Type Single Steel**



**Discounts:** 11+ -10%   51+ -20%   101+ -25%   200+ -35%   500+ -45%   1000+ -48%

Part Number Universal Joint	Rubber Cover	Std. & Max. ØB <sup>H7</sup>	ØD <sup>k11</sup>	C	L1	L2 <sup>±1</sup>	Weight g	Price Each 1 - 10	
								Joint	Cover
HNU820A	U8R-04	12	20	18	31	62	80	£104.60	£6.12
HNU820A1	U8R-04	10	20	12	24	48	85	£104.60	£6.12
HNU825A	U8R-1	16	25	22	37	74	150	£111.55	£6.33
HNU825A1	U8R-1	12	25	14	28	56	130	£111.55	£6.33
HNU832A	U8R-3	20	32	25	43	86	275	£117.58	£7.68
HNU832A1	U8R-3	16	32	16	34	68	235	£117.58	£7.68
HNU840A	U8R-5	25	40	32	54	108	545	£133.81	£8.62
HNU840A1	U8R-5	20	40	20	41	82	455	£133.81	£8.62
HNU850A	U8R-7	32	50	40	66	132	1,100	£175.26	£10.78
HNU850A1	U8R-7	25	50	25	52	104	975	£175.26	£10.78
HNU863A	U8R-9	30	63	38	83	166	2,850	£234.87	£15.09
HNU870A	U8R-11	35	70	35	70	140	3,150	£396.95	£18.94
HNU880A	U8R-12	40	80	50	90	180	3,900	£579.55	£27.96
HNU895A	U8R-13	50	95	54	95	190	4,800	£794.01	£53.13

### Material

Steel 9SMn Pb36K

Forged centre cross with hard ground ends for needle bearings. (Needle bearings sealed).

### Performance

Max. Speed: 4,000 Rpm Max.

See technical pages for torques at different speed and angles.

### Options

Smaller bores, keyways (add **K** to end of part number - P.O.A.), squares, hexagons, short length series, quick release types, rubber covers.

Please ask for a quote.

+44 (0)1246 455500  
+44 (0)1246 455522

**ondrives**

sales@ondrives.com  
www.ondrives.com

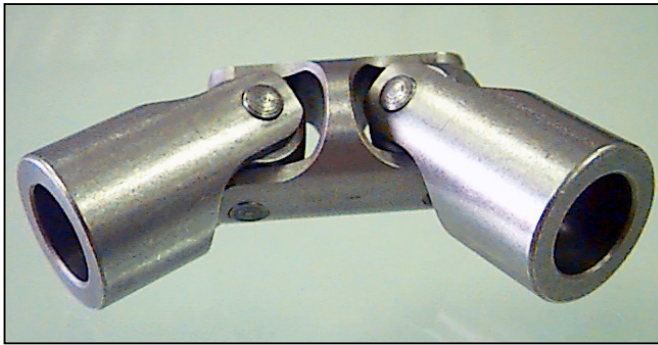
Product information updated 1st April 2011 and subject to change. Please contact Sales for the latest prices and availability.

# COUPLINGS

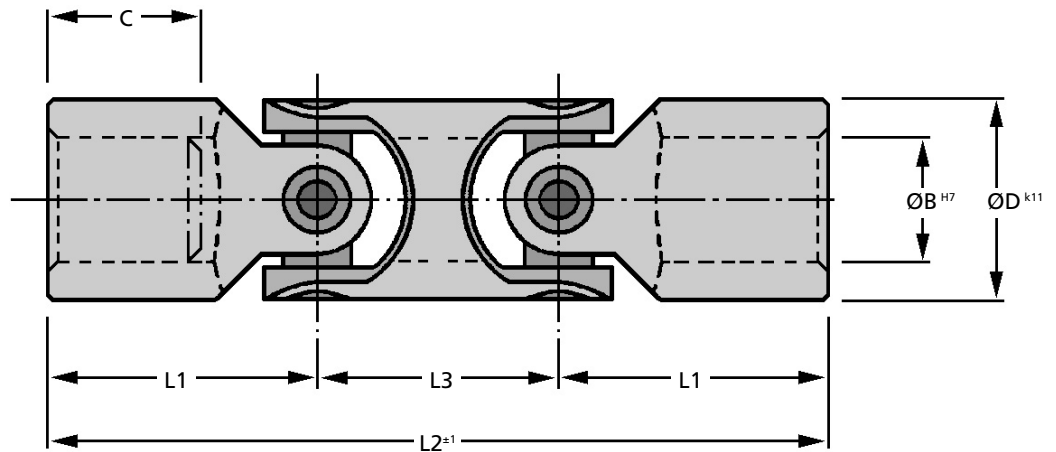
**HNU-C  
U8R**

## Needle Roller Universal Joints

DIN808-W (DIN 7751) Low Backlash : 12 - 50mm Bores



**HNU-C Type Double Steel**



**Discounts:** 11+ -10% | 51+ -20% | 101+ -25% | 200+ -35% | 500+ -45% | 1000+ -48%

Part Number Universal Joint	Rubber Cover	Std. & Max. ØB <sup>H7</sup>	ØD <sup>k11</sup>	C	L1	L2 <sup>±1</sup>	L3	Weight g	Price Each 1 - 10	
									Joint	Cover
HNU820C	U8R-20	12	20	18	31	88	26	110	£209.02	£11.09
HNU820C1	U8R-20	10	20	12	24	74	26	115	£209.02	£11.09
HNU825C	U8R-21	16	25	22	37	104	30	200	£223.03	£12.88
HNU825C1	U8R-21	12	25	14	28	86	30	180	£223.03	£12.88
HNU832C	U8R-23	20	32	25	43	124	37	375	£235.32	£15.40
HNU832C1	U8R-23	16	32	16	34	104	37	335	£235.32	£15.40
HNU840C	U8R-25	25	40	32	54	156	47	740	£267.59	£17.54
HNU840C1	U8R-25	20	40	20	41	128	47	650	£267.59	£17.54
HNU850C	U8R-27	32	50	40	66	188	56	1,470	£350.71	£22.36
HNU850C1	U8R-27	25	50	25	52	160	56	1,350	£350.71	£22.36
HNU863C	-	30	63	38	83	238	72	4,100	£469.95	-
HNU870C	-	35	70	35	70	212	72	4,500	£794.25	-
HNU880C	-	40	80	50	90	290	110	5,200	£1159.62	-
HNU895C	-	50	95	54	95	290	100	6,000	£1588.69	-

### Material

Steel 9SMn Pb36K

Forged centre cross with hard ground ends for needle bearings. (Needle bearings sealed).

### Performance

Max. Speed: 4,000 Rpm Max.

See technical pages for torques at different speed and angles.

### Options

Smaller bores, keyways (add **K** to end of part number - P.O.A.), squares, hexagons, short length series, quick release types, rubber covers.

Please ask for a quote.

+44 (0)1246 455500

+44 (0)1246 455522

**ondrives**

sales@ondrives.com

www.ondrives.com

Product information updated 1st April 2011 and subject to change. Please contact Sales for the latest prices and availability.