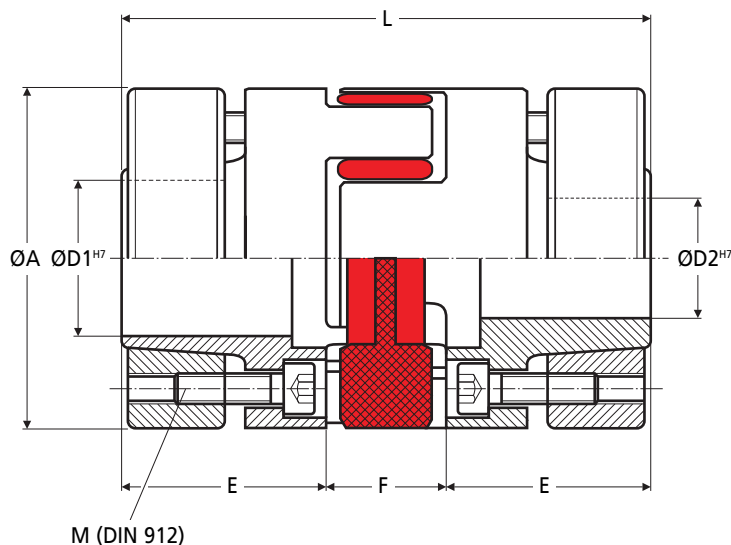


COUPLINGS

OKBE3

Servo Insert Couplings

with Outer Conical Hub : 12.5 - 940Nm, 8 - 70mm Bores



Part Number	ØA	L	ØD1-ØD2 (H7) min-max	E	F	M (DIN 912) Thread	Tightening Torque T _A Nm	Price Each
OKBE3/14	30	50	8-14	19	13	M3	1.34	£188.90
OKBE3/19	40	66	10-19	25	16	M4	2.90	£222.15
OKBE3/24	55	78	19-25	30	18	M5	6.00	£232.55
OKBE3/28	65	90	19-38	35	20	M5	6.00	£301.00
OKBE3/38	80	114	24-38	45	24	M6	10.00	£423.49
OKBE3/42	95	126	28-50	50	26	M8	35.00	£651.87
OKBE3/48	105	140	35-60	56	28	M8	35.00	£815.86
OKBE3/55	120	160	40-65	65	30	M10	69.00	£P.O.A
OKBE3/65	135	185	45-70	75	30	M12	120.00	£P.O.A

Part Number	Max. Speed rpm	Mass (per hub) kg	Moment of Inertia J kg mm ²	Torque Nm
OKBE3/14	25000	0.05	7	12.5
OKBE3/19	19000	0.12	31	17.0
OKBE3/24	14000	0.28	135	60.0
OKBE3/28	12000	0.45	313	160.0
OKBE3/38	10000	0.95	960	325.0
OKBE3/42	8000	2.30	3200	450.0
OKBE3/48	7000	3.08	5200	525.0
OKBE3/55	6000	4.67	15000	685.0
OKBE3/65	5000	6.70	25000	940.0

Transmissible Torque (Nm) of the Hubs:

Part Number	Ø Bore (mm)																								
	6	10	11	14	15	16	19	20	24	25	28	30	32	35	38	40	42	45	48	50	55	60	65	70	
OKBE3/14	8.6	13.8	14.7	22.7																					
OKBE3/19		41	45	62	68	67	83	90																	
OKBE3/24			48	67	74	72	90	97	112	120	143														
OKBE3/28					142	154	189	188	237	250	280	307	310	353	389										
OKBE3/38								269	337	356	398	436	424	501	533	572	585	644							
OKBE3/42									399	445	506	470	566	581	647	630	728	836	858						
OKBE3/48											775	819	955	999	1092	1091	1230	1381	1334	1540					
OKBE3/55												918	954	1052	1040	1185	1220	1318	1359	1646	1662	1960			
OKBE3/65														1568	1569	1768	1833	1968	2049	2438	2495	2898			

Material

Insert: Polyurethane 98 Sh A (red)
Hub: OKBE3/14 to OKBE3/38 = Aluminium
 OKBE3/42 to OKBE3/65 = Steel

Features

- Bore tolerance H7
- Keyway acc. DIN 6885 optional

+44 (0)1246 455500
 +44 (0)1246 455522

ondrives

sales@ondrives.com
 www.ondrives.com

Product information updated 1st April 2011 and subject to change. Please contact Sales for the latest prices and availability.