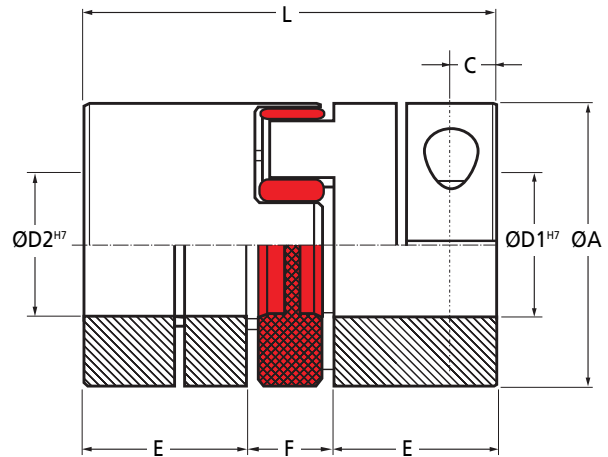
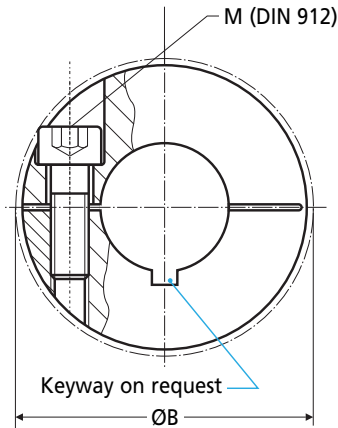


OKBE2

COUPLINGS

Servo Insert Couplings

Clamp Fixing : 60 - 525Nm, 15 - 50mm Bores



| Part Number | ØA | L | ØD1-ØD2 (H7) min-max | E | F | C | ØB max | M (DIN 912) Thread | Tightening Torque T _A Nm | Price Each |
|-------------|-----|-----|----------------------|----|----|----|--------|--------------------|-------------------------------------|------------|
| OKBE2/24 | 55 | 78 | 15-28 | 30 | 18 | 14 | 56.4 | M6 | 11 | £143.23 |
| OKBE2/28 | 65 | 90 | 19-35 | 35 | 20 | 15 | 72.6 | M8 | 25 | £188.90 |
| OKBE2/38 | 80 | 114 | 20-45 | 45 | 24 | 20 | 83.3 | M8 | 25 | £236.63 |
| OKBE2/42 | 95 | 126 | 28-45 | 50 | 26 | 20 | 94.0 | M8 | 25 | £428.67 |
| OKBE2/48 | 105 | 140 | 25-50 | 56 | 28 | 22 | 105.0 | M10 | 49 | £502.44 |

| Part Number | Max. Speed rpm | Mass (per hub) kg | Moment of Inertia J kg cm ² | Torque Nm |
|-------------|----------------|-------------------|--|-----------|
| OKBE2/24 | 7000 | 0.13 | 150 | 60 |
| OKBE2/28 | 6000 | 0.25 | 330 | 160 |
| OKBE2/38 | 5000 | 0.45 | 960 | 325 |
| OKBE2/42 | 4000 | 1.90 | 4900 | 450 |
| OKBE2/48 | 3750 | 2.50 | 8300 | 525 |

Transmissible Torque (Nm) of the Hubs:

| Part Number | Ø Bore (mm) | | | | | | | | | | | | | | | | |
|-------------|-------------|----|----|------|-----|-----|-----|-----|-----|-----|-----|-----|-----|-----|-----|-----|-----|
| | 15 | 16 | 19 | 20 | 22 | 24 | 25 | 28 | 30 | 32 | 35 | 38 | 40 | 42 | 45 | 48 | 50 |
| OKBE2/24 | 39 | 43 | 44 | 46 | 47 | 49 | 50 | 52 | | | | | | | | | |
| OKBE2/28 | | | 91 | 93.5 | 96 | 98 | 100 | 104 | 107 | 110 | 113 | | | | | | |
| OKBE2/38 | | | | 107 | 110 | 112 | 114 | 118 | 121 | 123 | 127 | 131 | 134 | 137 | 141 | | |
| OKBE2/42 | | | | | | | | 250 | 255 | 260 | 267 | 279 | 281 | 288 | 298 | | |
| OKBE2/48 | | | | | | | | | | 445 | 457 | 470 | 472 | 508 | 520 | 534 | 543 |

Material

Insert: Polyurethane 98 Sh A (red)
Hub: OKBE2/24 to OKBE2/38 = Aluminium
 OKBE2/42 to OKBE2/48 = Steel

Features

- Bore tolerance H7
- Keyway acc. DIN 6885 optional

+44 (0)1246 455500
 +44 (0)1246 455522

ondrives

sales@ondrives.com
 www.ondrives.com

Product information updated 1st April 2011 and subject to change. Please contact Sales for the latest prices and availability.