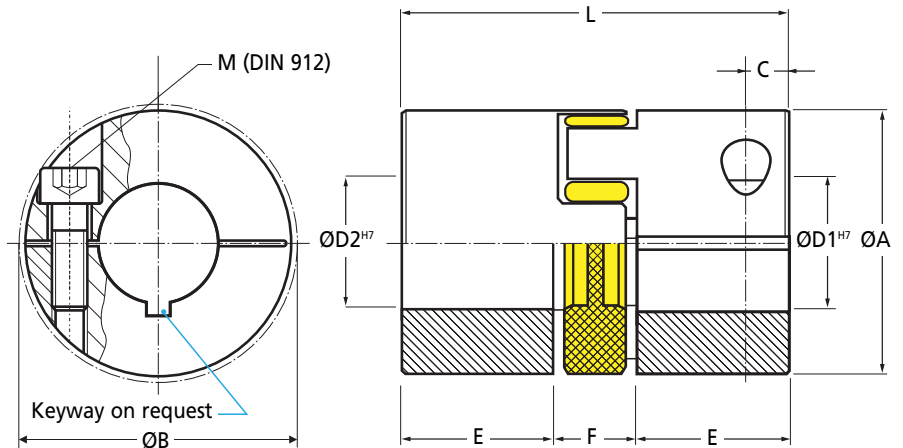


# COUPLINGS

**OKBE2**

## Servo Insert Couplings

Clamp Fixing : 1.2 - 17Nm, 4 - 20mm Bores



Part Number	ØA	L	ØD1-ØD2 (H7) min-max	E	F	C	ØB max	M (DIN 912) Thread	Tightening Torque T <sub>A</sub> Nm	Price Each
OKBE2/7	14	22	4-7	7	8	3.5	15.0	M2	0.37	£39.44
OKBE2/9	20	30	4-11	10	10	5.0	23.4	M2.5	0.75	£45.68
OKBE2/14	30	35	4-16	11	13	5.0	32.2	M3	1.40	£51.88
OKBE2/19	40	66	10-20	25	16	12.0	45.7	M6	11.00	£120.36

Part Number	Max. Speed rpm	Mass (per hub) g	Moment of Inertia J kg cm <sup>2</sup>	Torque Nm
OKBE2/7	27000	3	0.2	1.2
OKBE2/9	19000	9	1.1	3.0
OKBE2/14	13000	20	5.6	12.5
OKBE2/19	10000	26	36.0	17.0

### Transmissible Torque (Nm) of the Hubs:

Part Number	Ø Bore (mm)															
	3	4	5	6	7	8	9	10	11	12	14	15	16	19	20	
OKBE2/7	0.8	0.9	0.95	1	1.1											
OKBE2/9		2.1	2.2	2.3	2.4	2.5	2.6	2.7	2.8							
OKBE2/14			3.4	3.5	3.6	3.7	3.9	4	4.1	4.2	4.3	4.6	4.7	4.8		
OKBE2/19									27	27	29	30	31	32	32	34

### Material

**Insert:** OKBE2/7 to OKBE2/9 = Polyurethane 92 Sh A (yellow)  
OKBE2/14 to OKBE2/19 = Polyurethane 98 Sh A (red)

**Hub:** Aluminium

### Features

- Bore tolerance H7
- Keyway acc. DIN 6885 optional