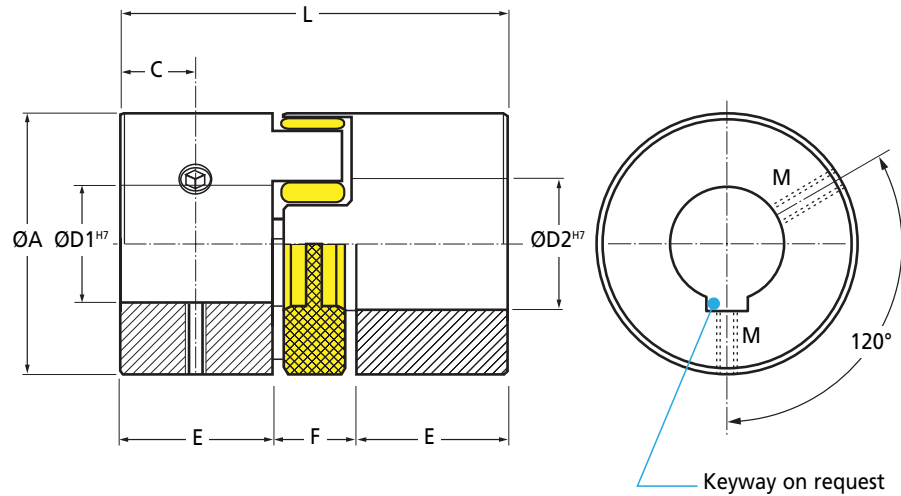


OKBE1

COUPLINGS

Servo Insert Couplings

with Set Screw : 1.2 - 940Nm, 4 - 75mm Bores



Part Number	ØA	L	ØD1-ØD2 (H7) min-max	E	F	C	M (DIN 916) Thread	Tightening Torque T _A Nm	Price Each
OKBE1/7	14	22	4-7	7	8	3.5	M3	1.3	£42.51
OKBE1/9	20	30	6-9	10	10	5.0	M3	1.3	£43.60
OKBE1/14	30	35	6-16	11	13	5.0	M4	3.0	£45.70
OKBE1/19	40	66	10-24	25	16	10.0	M5	6.0	£72.63
OKBE1/24	55	78	16-28	30	18	10.0	M5	6.0	£91.31
OKBE1/28	65	90	20-38	35	20	15.0	M6	11.0	£114.00
OKBE1/38	80	114	20-45	45	24	15.0	M8	25.0	£159.44
OKBE1/42	95	126	20-55	50	26	20.0	M8	25.0	£P.O.A
OKBE1/48	105	140	20-60	56	28	20.0	M8	25.0	£P.O.A
OKBE1/55	120	160	25-70	65	30	22.0	M10	45.0	£P.O.A
OKBE1/65	135	185	25-75	75	35	22.0	M10	45.0	£P.O.A

Part Number	Max. Speed rpm	Mass (per hub) g	Moment of Inertia J kg mm ²	Torque Nm
OKBE1/7	34000	3	0.2	1.2
OKBE1/9	24000	9	1.1	3.0
OKBE1/14	16000	20	5.6	7.5
OKBE1/19	12000	26	36.0	10.0
OKBE1/24	8500	132	150.0	35.0
OKBE1/28	7200	253	330.0	160.0
OKBE1/38	6000	455	960.0	325.0
OKBE1/42	4800	1850	4900.0	450.0
OKBE1/48	4300	2520	8300.0	525.0
OKBE1/55	3900	3800	15000.0	685.0
OKBE1/65	3500	4500	25000.0	940.0

Material

Insert: OKBE1/7 to OKBE1/9 = Polyurethane 92 Sh A (yellow)
 OKBE1/14 to OKBE1/65 = Polyurethane 98 Sh A (red)
Hub: OKBE1/7 to OKBE1/38 = Aluminium
 OKBE1/42 to OKBE1/65 = Steel

Features

- Bore tolerance H7
- Keyway acc. DIN 6885 optional

+44 (0)1246 455500
 +44 (0)1246 455522

ondrives

sales@ondrives.com
 www.ondrives.com

Product information updated 1st April 2011 and subject to change. Please contact Sales for the latest prices and availability.