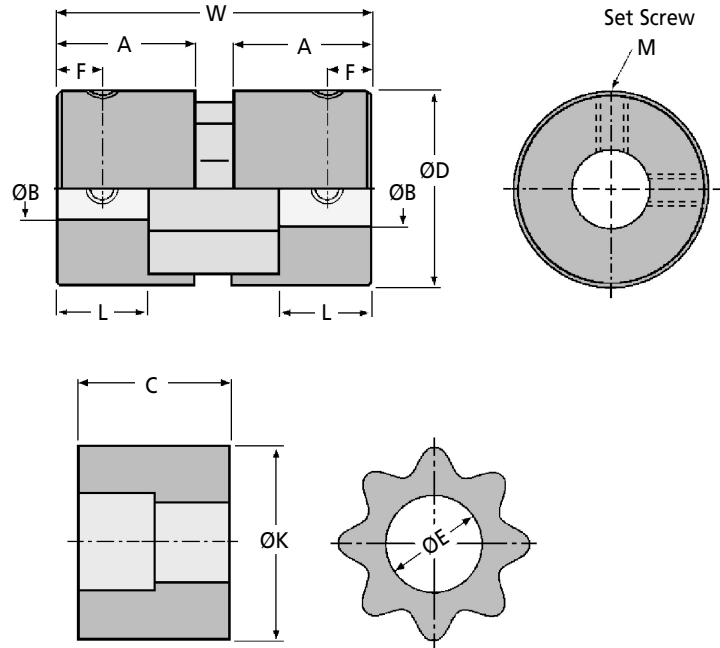
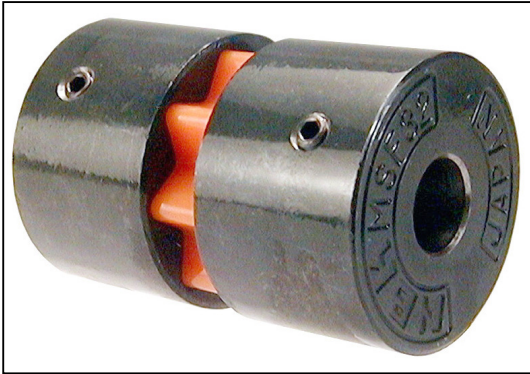


MSFe-cad
Drawings
Available

COUPLINGS

Flexible Insert Coupling

Polyurethane Sleeve, Set Screw Fixing : 0.5 - 6Nm, 3 - 15mm Bores

**Discounts:** 6+ -10% 16+ -15% 41+ -20% 100+ -25%

Part Number	Max. Rpm	Mass g	Moment of Inertia kg·m ²	Static Torsional Stiffness Nm/rad	Max. Parallel Offset	Max. Working Angle
MSF-16	24 000	22	9.0 x 10 ⁻⁷	4.4	0.20	2.0°
MSF-20	19 000	42	2.7 x 10 ⁻⁶	9.5	0.20	2.0°
MSF-25	15 000	81	8.1 x 10 ⁻⁶	20.0	0.20	2.0°
MSF-32	12 000	150	2.5 x 10 ⁻⁶	52.0	0.20	2.0°

Part Number	ØD	Bore Both Ends ØB	Max. Bore	A	L	W	t	M	F	C	ØK	ØE	Rated Torque Nm	Max. Torque Nm	Price Each 1 - 5
MSF-16	16	3.00	8	12	8	27	3	M3	4	11	14	6/6	0.5	1	£14.11
MSF-20	20	6.00	10	15	10	34	4	M3	5	14	18	8/8	1.0	2	£14.57
MSF-25	25	8.00	12	18	12	41	5	M4	6	17	22	10/10	1.5	3	£15.47
MSF-32	32	10.00	15	21	14	48	6	M4	7	20	29	12/14	3.0	6	£16.35

Material

Hubs (MSF16-25): Zinc Alloy Hubs (MSF32): Sintered metal Sleeve: Polyurethane

Performance

Operating Temperature Range: -20°C to +60°C

Extras

Boring Out: upto 25mm £4.84 per end. Add bore size required to end of part number eg. **MSF-16-5/6** (bored Ø5mm & Ø6mm)**Pin Hole:** Any Size £4.84 each. **Tapped Holes:** upto M8 incl. £7.17 each, over M8 £11.39 each. **Keyways:** upto 8mm incl. £5.62 each, over 8mm £16.54 each.

Other Info.

Excellent flexibility, high maximum values in eccentricity, angularity, and absorption of torsional vibration.

Almost zero backlash due to precise fitness of serration. Sleeve functions as torque limiter at times of excessive load.

Simple attachment on shaft by setscrews.

Simple configuration enables easy shaft alignment.

Excellent resistance to oil and abrasion.

Working Temp. Range	Torque Correction Factor
-20°C ~ +30°C	1.00
+30°C ~ +40°C	0.80
+40°C ~ +60°C	0.70
+60°C ~ +100°C	0.55

+44 (0)1246 455500
+44 (0)1246 455522**ondrives**sales@ondrives.com
www.ondrives.com

Product information updated 1st April 2011 and subject to change. Please contact Sales for the latest prices and availability.