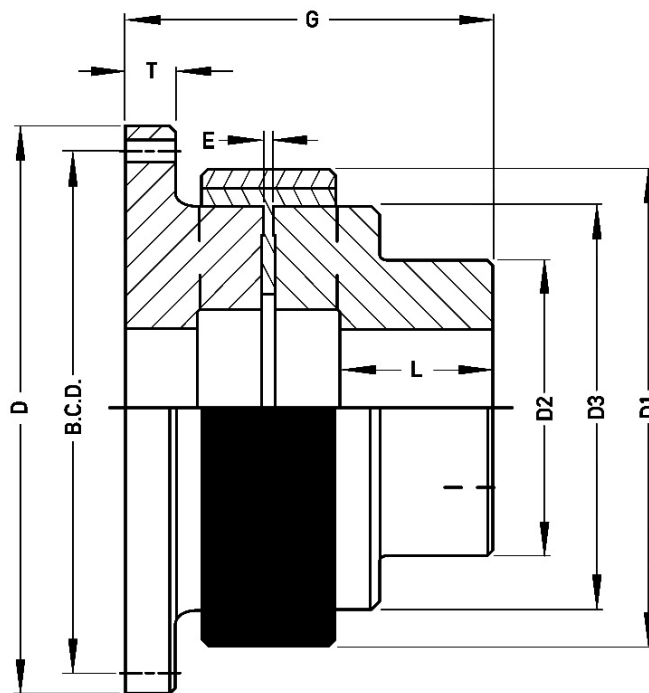
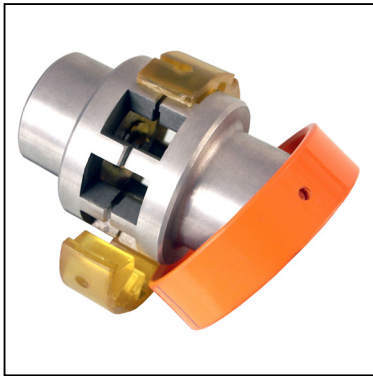


COUPLINGS

A-SAE

Elastomeric Couplings Coupling for SAE Flywheel Arrangements



| Part Number | Max. Bore | SAE J620 Number | D1 | D2 | D3 | E | G | L1 | T | Price Each |
|-------------|-----------|-----------------|-----|-----|-----|-----|-----|-----|----|------------|
| A2-EB-SAE | 53.97 | 6½", 7½", 8" | 111 | 80 | 86 | 2.5 | 100 | 46 | 12 | £482.93 |
| A3-BEB-SAE | 69.80 | 7½", 8", 10" | 144 | 105 | 116 | 2.5 | 124 | 56 | 15 | £621.52 |
| A4-BEB-SAE | 95.20 | 8", 10", 11½" | 182 | 135 | 150 | 3.5 | 144 | 63 | 17 | £826.80 |
| A5-BEB-SAE | 114.30 | 10", 11½", 14" | 225 | 160 | 190 | 3.5 | 168 | 76 | 20 | £1150.82 |
| A6-EB-SAE | 114.30 | 11½", 14", 16" | 265 | 180 | 234 | 3.5 | 196 | 94 | 22 | £P.O.A |
| A7-EB-SAE | 139.70 | 14", 16", 18" | 306 | 205 | 267 | 4.0 | 229 | 115 | 25 | £P.O.A |
| A8-EB-SAE | 150.00 | 16", 18", 21" | 363 | 240 | 326 | 5.0 | 280 | 146 | 30 | £P.O.A |

- 1) For standard flywheel dimensions (D, B.C.D. and hole sizes) please consult Rino sales.
- 2) Flywheels are available in non-standard sizes please consult Rino sales.

Material

Hub: Cast iron

Insert: Yellow polyurethane, 95 shore hardness

Holding Ring: Polyamide (sizes A2 to A4), Steel (All other sizes)

+44 (0)1246 455500
+44 (0)1246 455522

ondrives

sales@ondrives.com
www.ondrives.com

Product information updated 1st April 2011 and subject to change. Please contact Sales for the latest prices and availability.