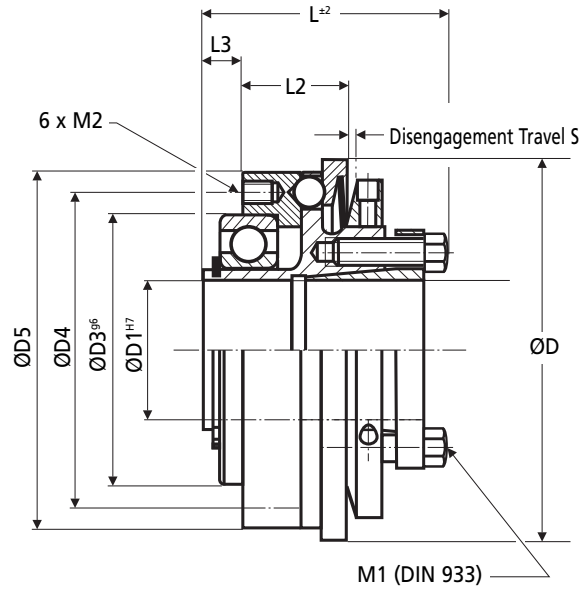
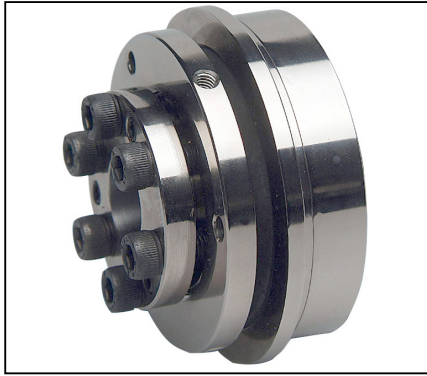


COUPLINGS

OKBK/L

Safety Couplings

with Inner Conical Hub : 2 - 1600Nm, 6 - 90mm Bores



Discounts: 5+ -4% 10+ -8% 25+ -12% 50+ -18% 100+ -22%

Part Number	ØD	ØD1 (H7) min-max	ØD3	ØD4	ØD5	L	L2	L3	S	6 x M2	M1 (DIN 933) Thread	Tightening Torque T _A Nm	Price Each 1 - 4
OKBK/L-10	49	6-14	37	42	47	36	15	5	0.7	M3	M3	4.0	£415.80
OKBK/L-30	64	8-20	47	53	60	43	18	6	1.2	M4	M5	6.0	£482.22
OKBK/L-60	79	12-25	62	69	75	58	25	8	1.2	M5	M6	8.5	£527.66
OKBK/L-80	94	15-35	68	80	90	60	26	10	2.0	M6	M6	14.0	£576.62
OKBK/L-150	94	15-35	68	80	90	60	26	10	2.0	M6	M6	14.0	£655.24
OKBK/L-200	109	20-40	80	90	105	66	30	10	2.0	M6	M6	14.0	£730.63
OKBK/L-300	119	30-46	90	102	115	75	32	10	2.0	M8	M8	20.0	£771.22
OKBK/L-500	129	35-50	100	112	125	75	32	10	2.0	M8	M8	26.0	£952.94
OKBK/L-800	169	40-60	110	125	165	110	50	15	2.0	M12	M16	45.0	£P.O.A
OKBK/L-1400	169	40-60	110	125	165	110	50	15	2.0	M12	M16	80.0	£P.O.A
OKBK/L-1600	194	60-90	150	168	190	125	60	19	2.0	M12	M14	100.0	£P.O.A

Part Number	Overload Torque Adjustable		Max. Speed rpm	Mass kg	Moment of Inertia J kg cm ²
	Option 1 T _{KN} Nm	Option 2 T _{KN} Nm			
OKBK/L-10	2-5	5-10	12000	0.25	1
OKBK/L-30	5-15	10-30	9400	0.50	3
OKBK/L-60	13-35	20-65	7800	1.00	6
OKBK/L-80	15-40	30-80	6400	1.60	17
OKBK/L-150	50-130	65-150	5500	1.70	17
OKBK/L-200	30-90	80-200	5500	2.60	27
OKBK/L-300	60-200	100-300	5000	3.60	39
OKBK/L-500	80-250	200-500	4500	4.40	80
OKBK/L-800	260-600	500-900	3500	12.00	278
OKBK/L-1400	450-900	800-1400	3500	12.00	278
OKBK/L-1600	500-1000	900-1600	3000	16.00	325

Material

Bellows: Steel
Hub: Steel

Features

- Bore tolerance H7
- Keyway acc. DIN 6885 optional
- Temperature range -30°C to +120°C

+44 (0)1246 455500
+44 (0)1246 455522

ondrives

sales@ondrives.com
www.ondrives.com

Product information updated 1st April 2011 and subject to change. Please contact Sales for the latest prices and availability.