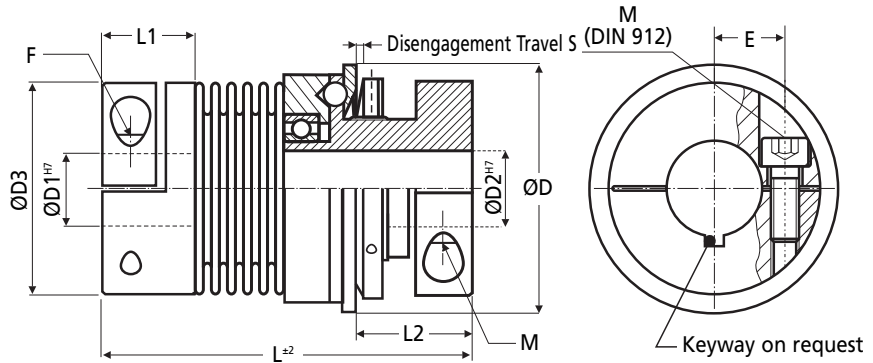


OKBK/BK

COUPLINGS

Safety Couplings

Clamp Fixing : 1 - 500Nm, 6 - 60mm Bores

**Discounts:** 5+ -4% | 10+ -8% | 25+ -12% | 50+ -18% | 100+ -22%

Part Number	ØD	L	ØD1 H7 min-max	ØD2 H7 min-max	ØD3	H	M (DIN 912) Thread	Tightening Torque T _A Nm	L1	L2	S	Price Each 1 - 4
OKBK/BK-7/65	49	65	6-25	6-19	40	15.5	M4	5.1	16	20.0	0.7	£275.40
OKBK/BK-7/75	49	75	6-25	6-19	40	15.5	M4	5.1	16	20.0	0.7	£275.40
OKBK/BK-10/65	49	65	6-25	6-19	40	15.5	M4	5.1	16	20.0	0.7	£284.10
OKBK/BK-10/75	49	75	6-25	6-19	40	15.5	M4	5.1	16	20.0	0.7	£284.10
OKBK/BK-30/85	64	85	10-25	10-20	56	20.0	M6	15.0	25	30.5	1.2	£428.13
OKBK/BK-30/94	64	94	10-25	10-20	56	20.0	M6	15.0	25	30.5	1.2	£428.13
OKBK/BK-60/105	79	105	14-35	14-25	66	23.0	M8	36.0	30	28.0	1.2	£545.07
OKBK/BK-60/115	79	115	14-35	14-25	66	23.0	M8	36.0	30	28.0	1.2	£545.07
OKBK/BK-80/113	94	113	20-40	20-35	82	33.5	M10	72.0	33	42.0	2.0	£672.65
OKBK/BK-80/125	94	125	20-40	20-35	82	33.5	M10	72.0	33	42.0	2.0	£672.65
OKBK/BK-150/113	94	113	20-40	20-35	82	33.5	M10	72.0	33	42.0	2.0	£748.04
OKBK/BK-150/125	94	125	20-40	20-35	82	33.5	M10	72.0	33	42.0	2.0	£748.04
OKBK/BK-200/125	109	125	25-42	25-32	90	38.0	M12	125.0	38	42.0	2.0	£871.76
OKBK/BK-200/138	109	138	25-42	25-32	90	38.0	M12	125.0	38	42.0	2.0	£871.76
OKBK/BK-300/140	119	140	32-50	32-40	110	38.0	M12	125.0	38	38.0	2.0	£1013.83
OKBK/BK-300/150	119	150	32-50	32-40	110	38.0	M12	125.0	38	38.0	2.0	£1013.83
OKBK/BK-500/158	129	158	40-60	35-50	122	42.0	M12	125.0	42	56.0	2.0	£1246.74
OKBK/BK-500/170	129	170	40-60	35-50	122	42.0	M12	125.0	42	56.0	2.0	£1246.74

Part Number	Max. Speed rpm	Mass kg	Moment of Inertia J kg cm ²	Overload Torque Adjustable		Spring Stiffness			Misalignment		
				Option 1 T _{KN} Nm	Option 2 T _{KN} Nm	Torsional x10 ³ C _T Nm/rad	Radial C _R N/mm	Axial C _A N/mm	Radial ΔK _r mm	Axial ΔK _a mm	Angular ΔK _w °
OKBK/BK-7/65	11690	0.25	0.7	1-4	3-7	8.1	120	27	0.15	0.4	1.5
OKBK/BK-7/75	11690	0.25	0.7	1-4	3-7	6.8	29	17	0.30	0.6	2.0
OKBK/BK-10/65	11690	0.25	0.7	3-7	5-10	8.1	120	27	0.15	0.4	1.5
OKBK/BK-10/75	11690	0.25	0.7	3-7	5-10	6.8	29	17	0.30	0.6	2.0
OKBK/BK-30/85	9540	0.70	3.2	5-15	10-30	38.0	720	50	0.15	0.6	1.5
OKBK/BK-30/94	9540	0.70	3.2	5-15	10-30	28.0	225	28	0.25	1.0	2.0
OKBK/BK-60/105	8180	1.40	8.0	12-35	20-60	75.0	1150	90	0.15	0.6	1.5
OKBK/BK-60/115	8180	1.40	8.0	12-35	20-60	50.0	340	50	0.25	1.0	2.0
OKBK/BK-80/113	6220	2.30	19.0	15-40	30-80	128.0	1200	80	0.20	0.5	1.5
OKBK/BK-80/125	6220	2.30	19.0	15-40	30-80	75.0	400	50	0.25	0.8	2.0
OKBK/BK-150/113	6220	2.40	30.0	50-130	65-150	155.0	2020	145	0.20	0.5	1.5
OKBK/BK-150/125	6220	2.40	30.0	50-130	65-150	105.0	595	85	0.25	0.8	2.0
OKBK/BK-200/125	5720	3.00	33.0	30-90	80-200	175.0	2500	147	0.20	0.5	1.5
OKBK/BK-200/138	5720	3.00	33.0	30-90	80-200	116.0	460	82	0.25	0.8	2.0
OKBK/BK-300/140	5200	5.30	65.0	60-200	100-300	502.0	6300	280	0.20	0.5	1.5
OKBK/BK-300/150	5200	5.30	65.0	60-200	100-300	285.0	1400	145	0.25	0.8	2.0
OKBK/BK-500/158	4470	6.20	130.0	80-250	200-500	690.0	7790	100	0.20	0.5	1.5
OKBK/BK-500/170	4470	6.20	130.0	80-250	200-500	320.0	970	85	0.25	1.0	2.0

Material

Bellows: Stainless Steel

Hub: OKBK/BK-7 to OKBK/BK-60 = Aluminium (Stainless Steel on request)
OKBK/BK-80 to OKBK/BK-500 = Steel (Stainless Steel on request)

Features

- Bore tolerance H7
- Keyway acc. DIN 6885 optional
- Temperature range -30°C to +120°C

+44 (0)1246 455500
+44 (0)1246 455522

ondrives

sales@ondrives.com
www.ondrives.com

Product information updated 1st April 2011 and subject to change. Please contact Sales for the latest prices and availability.