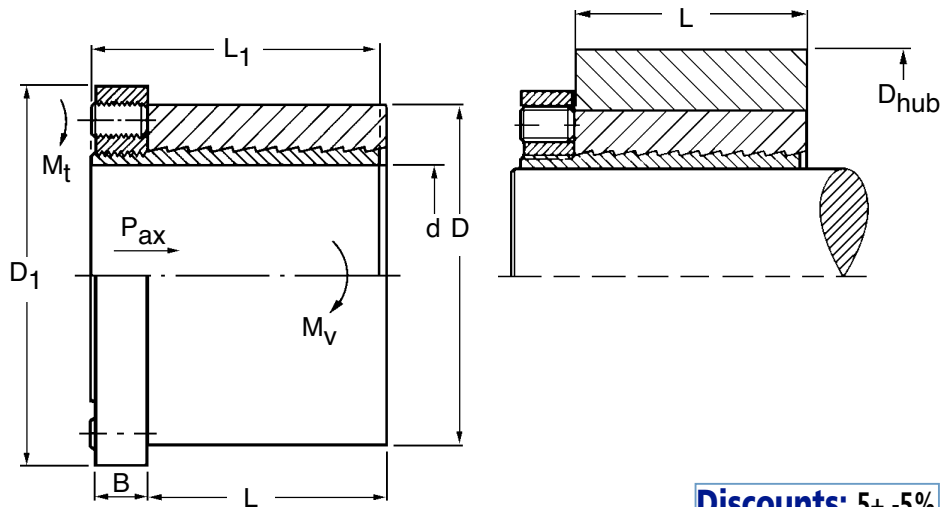
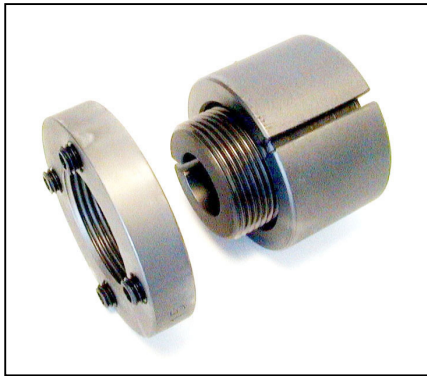


SHT

COUPLINGS

Quick Mechanical Friction Joint Bushing

with Slotted Outer Sleeve

**Discounts: 5+ -5%**

Part Number	d	D	D1	L	L1	B	Locking Screws		Price Each 1 - 4
							No.	Size	
SHT15	15	42	49	27	36.0	9.5	4	M6x12	£89.50
SHT16	16	42	49	27	36.0	9.5	4	M6x12	£89.50
SHT17	17	42	49	27	36.0	9.5	4	M6x12	£89.50
SHT18	18	42	49	27	36.0	9.5	4	M6x12	£89.50
SHT19	19	42	49	27	36.0	9.5	4	M6x12	£89.50
SHT20	20	42	49	27	36.0	9.5	4	M6x12	£89.50
SHT22	22	42	49	27	36.0	9.5	4	M6x12	£89.50
SHT24	24	46	53	27	37.0	10.5	6	M6x12	£95.40
SHT25	25	46	53	27	37.0	10.5	6	M6x12	£99.46
SHT28	28	55	63	32	44.0	12.5	4	M8x16	£102.81
SHT30	30	55	63	32	44.0	12.5	4	M8x16	£107.79
SHT32	32	60	67	37	49.0	12.5	5	M8x16	£111.61
SHT35	35	60	67	37	49.0	12.5	5	M8x16	£115.71
SHT38	38	67	75	45	57.0	12.5	6	M8x16	£130.78
SHT40	40	67	75	45	57.0	12.5	6	M8x16	£134.64
SHT42	42	67	75	45	57.0	12.5	6	M8x16	£137.60
SHT45	45	70	77	50	63.0	13.5	7	M8x16	£146.12
SHT48	48	77	83	55	68.8	14.0	8	M8x16	£155.57
SHT50	50	77	83	55	68.5	14.0	8	M8x16	£158.51
SHT55	55	85	90	60	73.5	14.0	9	M8x16	£182.76
SHT60	60	92	98	65	79.5	15.0	6	M10x16	£192.65
SHT65	65	100	105	70	87.0	17.0	8	M10x20	£234.25
SHT70	70	105	110	75	92.5	17.5	10	M10x20	£267.37
SHT75	75	110	115	85	102.0	17.0	10	M10x20	£318.16
SHT80	80	120	126	90	111.0	21.0	8	M12x25	£350.71
SHT85	85	125	133	95	116.5	21.5	10	M12x25	£411.90
SHT90	90	135	141	100	123.5	23.5	12	M12x25	£476.38
SHT95	95	140	148	105	127.5	22.5	12	M12x25	£605.95
SHT100	100	140	148	110	132.5	22.5	12	M12x25	£634.85
SHT110	110	155	161	120	143.0	23.0	14	M12x25	£878.66
SHT120	120	165	171	130	155.0	25.0	16	M12x25	£1071.05
SHT130	130	175	181	140	166.0	26.0	18	M12x25	£1491.52
SHT140	140	185	191	155	181.0	26.0	20	M12x25	£1691.10
SHT150	150	205	213	150	176.5	26.5	12	M16x30	£1794.26
SHT160	160	215	223	160	189.0	29.0	14	M16x30	£2382.09

Supplied with slotted outer sleeve, locks onto bore and housing and your application with pressure and friction.
You only need a cylindrical bore in the hub.

Material

Bushing: Steel

Performance

Operating Temperature Range: -20°C to +80°C

+44 (0)1246 455500

+44 (0)1246 455522

ondrives

sales@ondrives.com

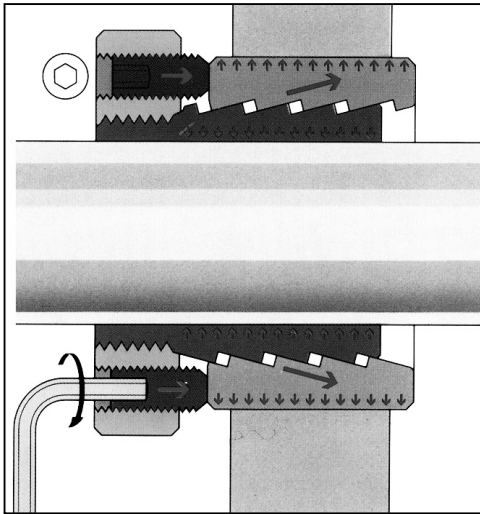
www.ondrives.com

Product information updated 1st April 2011 and subject to change. Please contact Sales for the latest prices and availability.

COUPLINGS

Quick Mechanical Friction Joint Bushing with Slotted Outer Sleeve

SHT



Part Number	Tightening Torque (Nm) Mt	Maximum Torque (Nm) Mv	Maximum Axial Load (kN) Pax	Bushing Dimensions d x D	Surface Pressure Against Hub Py (N/mm ²)	Required minimum hub diameter D _{hub} (mm) Yield limit Rp 0.2 (N/mm ²)						
						80	120	200	250	300	400	500
SHT15	8	135	18	15x420	42	77	61	52	50	49	47	46
SHT16	8	140	18	16x420	42	77	61	52	50	49	47	46
SHT17	8	150	18	17x420	42	77	61	52	50	49	47	46
SHT18	8	160	18	18x420	42	77	61	52	50	49	47	46
SHT19	8	170	18	19x420	42	77	61	52	50	49	47	46
SHT20	8	180	18	20x420	42	77	61	52	50	49	47	46
SHT22	8	200	18	22x420	42	77	61	52	50	49	47	46
SHT24	8	325	27	24x460	58	118	79	62	59	56	53	52
SHT25	8	340	27	25x460	58	118	79	62	59	56	53	52
SHT28	18	490	35	28x550	66	185	103	78	72	69	65	63
SHT30	18	525	35	30x550	66	185	103	78	72	69	65	63
SHT32	18	650	41	32x600	60	164	105	82	77	74	70	68
SHT35	18	720	41	35x600	61	169	106	83	77	74	70	68
SHT38	18	950	50	38x670	54	155	110	89	84	81	77	75
SHT40	18	1000	50	40x670	54	155	110	89	84	81	77	75
SHT42	18	1050	50	42x670	54	155	110	89	84	81	77	75
SHT45	18	1280	57	45x700	53	159	114	92	87	84	80	78
SHT48	18	1560	65	48x770	50	164	121	100	95	91	88	85
SHT50	18	1625	65	50x770	50	164	121	100	95	91	88	85
SHT55	18	2040	75	55x850	48	173	131	109	103	100	96	94
SHT60	34	2250	75	60x920	33	143	122	109	105	103	100	98
SHT65	34	3250	100	65x100	37	168	139	121	117	114	110	108
SHT70	34	4400	125	70x105	41	189	152	130	125	121	117	114
SHT75	34	4750	125	75x110	35	176	149	131	127	124	120	118
SHT80	60	6000	150	80x120	39	208	170	147	141	137	133	130
SHT85	60	8000	186	85x125	44	236	185	157	150	145	140	137
SHT90	60	10000	224	90x135	46	265	204	172	163	158	152	148
SHT95	60	10600	224	95x140	42	255	204	174	166	162	156	153
SHT100	60	11200	224	100x140	40	246	200	172	165	161	155	152
SHT110	60	13400	244	110x155	37	254	213	187	181	176	171	167
SHT120	60	16700	279	120x165	37	271	226	199	192	188	182	178
SHT130	60	20400	314	130x175	36	282	240	211	204	197	193	188
SHT140	60	24400	349	140x185	34	294	247	221	213	208	201	199
SHT150	140	28000	373	150x205	34	326	274	224	236	231	223	221
SHT160	140	34800	435	160x215	35	342	291	256	247	242	234	232

The table above gives the required minimum hub diameter (D_{hub}) for various materials when the bushing is completely covered by the hub. The maximum static slip torque and axial slip force are also given.