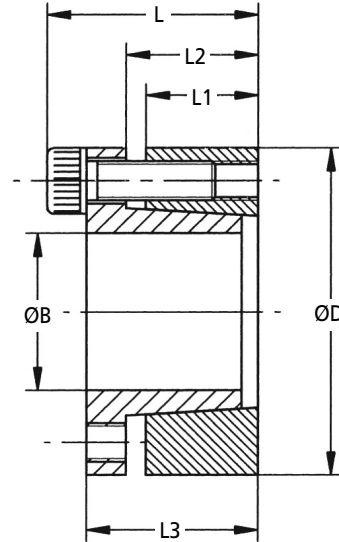


# COUPLINGS

**OKBS13**

## Locking Devices

310 - 46,980Nm, 18 - 180mm Bores



Part Number	ØB x ØD	Torque Nm	L	L1	L2	L3	Shaft Pw N/mm <sup>2</sup>	Hub Pn N/mm <sup>2</sup>	No. of Screws	Screw (DIN912)	T <sub>A</sub> Nm	Mass kg	Price Each
OKBS13-18X47	18x47	310	34	17	22	28	314	120	5	M6x20	14	0.22	£51.80
OKBS13-19X47	19x47	330	34	17	22	28	300	120	5	M6x20	14	0.23	£51.80
OKBS13-20X47	20x47	380	34	17	22	28	295	125	5	M6x20	14	0.25	£51.80
OKBS13-22X47	22x47	410	34	17	22	28	270	125	5	M6x20	14	0.22	£51.80
OKBS13-24X50	24x50	440	34	17	22	28	243	120	6	M6x20	14	0.26	£51.80
OKBS13-25X50	25x50	560	34	17	22	28	285	140	6	M6x20	14	0.25	£51.80
OKBS13-28X55	28x55	630	34	17	22	28	255	130	6	M6x20	14	0.31	£51.80
OKBS13-30X55	30x55	660	34	17	22	28	235	130	6	M6x20	14	0.29	£51.80
OKBS13-32X60	32x60	960	34	17	22	28	295	155	8	M6x20	14	0.34	£58.27
OKBS13-35X60	35x60	1050	34	17	22	28	270	155	8	M6x20	14	0.33	£58.27
OKBS13-38X65	38x65	1140	34	17	22	28	250	145	8	M6x20	14	0.38	£58.27
OKBS13-40X65	40x65	1200	34	17	22	28	235	145	8	M6x21	14	0.34	£58.27
OKBS13-45X75	45x75	2180	41	20	25	33	290	170	7	M8x25	35	0.58	£64.75
OKBS13-50X80	50x80	2430	41	20	25	33	260	160	7	M8x25	35	0.63	£64.75
OKBS13-55X85	55x85	3070	41	20	25	33	270	175	8	M8x25	35	0.69	£64.75
OKBS13-60X90	60x90	3350	41	20	25	33	245	165	8	M8x25	35	0.73	£72.68
OKBS13-65X95	65x95	4080	41	20	25	33	255	175	9	M8x25	35	0.79	£73.14
OKBS13-70X110	70x110	6280	50	24	30	40	280	180	8	M10x30	70	1.47	£90.89
OKBS13-75X115	75x115	6680	50	24	30	40	260	170	8	M10x30	70	1.55	£96.46
OKBS13-80X120	80x120	7130	50	24	30	40	250	160	8	M10x30	70	1.65	£102.18
OKBS13-85X125	85x125	8480	50	24	30	40	260	180	9	M10x30	70	1.72	£114.24
OKBS13-90X130	90x130	9080	50	24	30	40	250	170	9	M10x30	70	1.81	£119.07
OKBS13-95X135	95x135	10580	50	24	30	40	260	180	10	M10x30	70	1.90	£128.84
OKBS13-100X145	100x145	13380	56	26	32	44	270	190	8	M12x35	125	2.48	£143.86
OKBS13-110X155	110x155	14580	56	26	32	44	240	180	8	M12x35	125	2.66	£155.57
OKBS13-120X165	120x165	17880	56	26	32	44	250	180	9	M12x35	125	2.84	£166.47
OKBS13-130X180	130x180	29980	64	34	40	52	240	170	12	M12x35	125	4.45	£213.76
OKBS13-140X190	140x190	26980	68	34	40	54	210	150	9	M14x40	190	4.62	£254.82
OKBS13-150X200	150x200	32980	68	34	40	54	230	170	10	M14x40	190	4.80	£283.03
OKBS13-160X210	160x210	37980	68	34	40	54	230	170	11	M14x40	190	5.18	£300.17
OKBS13-170X225	170x225	44980	78	44	50	64	180	130	12	M14x40	190	7.33	£358.86
OKBS13-180X235	180x235	46980	78	44	50	64	170	130	12	M14x40	190	7.77	£469.78

### Material

C60 Steel (060A62). Also available in Stainless Steel - POA.

### Features

Recommended machining tolerances: Shaft h8, Hub H8.  
Self-centering

+44 (0)1246 455500  
+44 (0)1246 455522

**ondrives**

sales@ondrives.com  
www.ondrives.com

Product information updated 1st April 2011 and subject to change. Please contact Sales for the latest prices and availability.