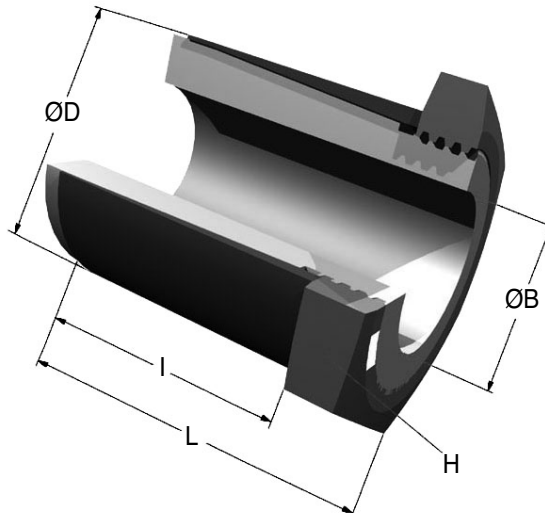
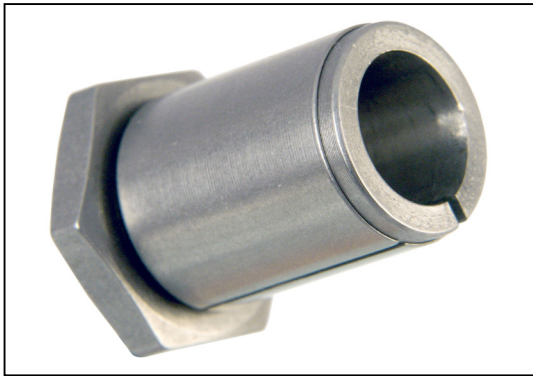


# COUPLINGS

BS

## Taper Bushes

Stainless Steel : 3 to 31Nm, 4 to 20mm Bores



**Discounts:** 21+ -22% | 101+ -28% | 301+ -34%

Part Number	ØB ±0.01	ØD ±0.03	L	I	H	Thread	Max. Torque Nm	Tightening Torque Nm	Price Each 1 - 20
BS-4	4.00	8	15	12.5	8	M6x0.5	3	4	£18.39
BS-5	5.00	10	15	12.5	10	M8x0.5	4	5	£13.69
BS-6	6.00	10	15	12.5	10	M8x0.5	7	8	£13.69
BS-6.35	6.35	10	15	12.5	10	M8x0.5	7	8	£13.69
BS-7	7.00	12	15	12.0	12	M10x0.75	8	9	£14.44
BS-8	8.00	14	22	19.0	16	M12x1	14	15	£15.50
BS-9	9.00	14	22	19.0	16	M12x1	14	15	£15.50
BS-9.52	9.52	14	22	19.0	16	M12x1	14	15	£15.50
BS-10	10.00	17	22	18.5	18	M15x1	18	19	£17.30
BS-11	11.00	17	22	18.5	18	M15x1	18	19	£17.30
BS-12	12.00	17	22	18.5	18	M15x1	18	19	£17.30
BS-14	14.00	20	28	23.0	22	M17x1	24	25	£24.19
BS-15	15.00	20	28	23.0	22	M17x1	24	25	£24.19
BS-15.88	15.88	23	28	23.0	26	M20x1	26	27	£29.94
BS-16	16.00	23	28	23.0	26	M20x1	26	27	£29.94
BS-17	17.00	23	28	23.0	26	M20x1	26	27	£29.94
BS-19	19.00	25	28	23.0	27	M22x1	29	30	£34.70
BS-20	20.00	28	28	23.0	30	M25x1	31	32	£36.81

### Material

Nut: 1.4305 (303 Stainless Steel)

Inner & Outer Rings: 1.4301 (304 Stainless Steel)

+44 (0)1246 455500  
+44 (0)1246 455522

**ondrives**

sales@ondrives.com  
www.ondrives.com

Product information updated 1st April 2011 and subject to change. Please contact Sales for the latest prices and availability.