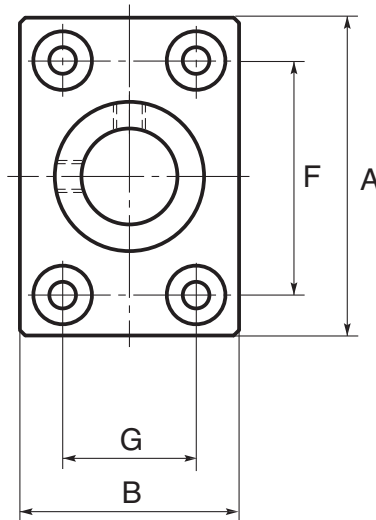
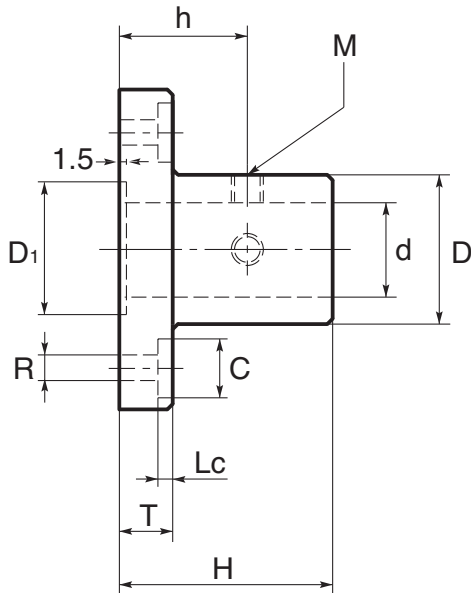
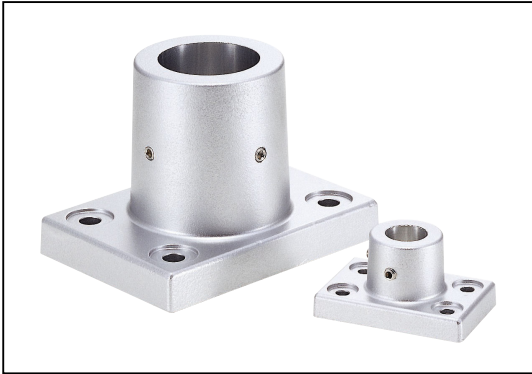


FPHA-S

COUPLINGS

Square Post Holder - For Round Shafts

Aluminium

**Discounts:** 6+ -5% 20+ -10% 30+ -15% 50+ -20% 100+ -30%

Part Number	d H8	A	B	H	D	D1	T	F	G	R	C	Lc	h	M	Mass (g)	Price Each 1 - 5
Aluminium																
FPHA20-S	20.0	75	50	40	35	30	12	52	28	6.6	15	2	26.0	M5	162	£P.O.A
FPHA25-S	25.0	90	60	50	40	35	12	62	32	9.0	20	2	31.0	M6	228	£P.O.A
FPHA30-S	30.0	100	65	60	50	45	15	72	38	9.0	20	2	37.5	M6	369	£P.O.A
FPHA35-S	35.0	105	70	70	55	50	15	75	42	9.0	20	2	42.5	M8	433	£P.O.A

Material

Body: Aluminium (AC8), electrostatic coating (silver)
Screw: Stainless Steel (SUS304)

Features

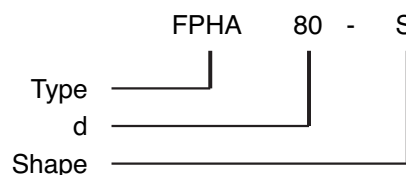
- Suitable for fixing the post-shaft
- Lightweight yet strong
- Supplied with hexagon socket head screws

Options

More accurate fixings available, see CSH types for further information.

Ordering Information

e.g.



+44 (0)1246 455500
 +44 (0)1246 455522

ondrives

sales@ondrives.com
 www.ondrives.com

Product information updated 1st April 2011 and subject to change. Please contact Sales for the latest prices and availability.