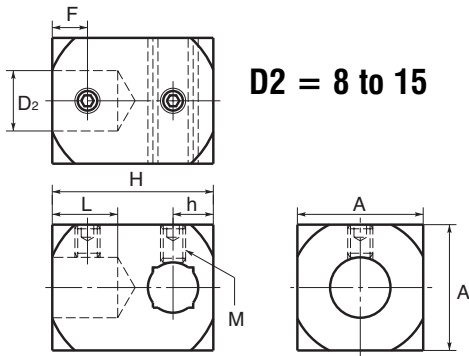
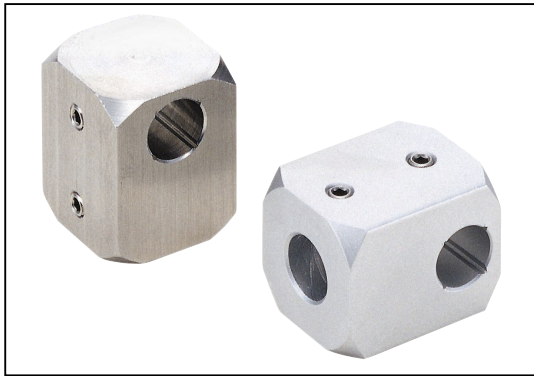


**FCTA
FCTS**

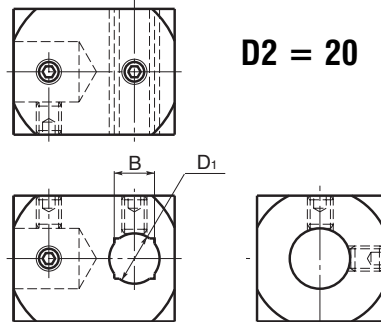
COUPLINGS

T-Cross Clampers - For Round & Square Shafts

Set Screw Fixing : Aluminium & Stainless Steel



D2 = 8 to 15



D2 = 20

Discounts: 6+ -5% 20+ -10% 30+ -15% 50+ -20% 100+ -30%

Part Number	D1 H8	D2 H8	B H11	A	H	L	h	F	M	Mass (g)	Price Each 1 - 5
Aluminium											
FCTA8-10	8	10	-	22	28	12	7	6	M4	31	£19.78
FCTA10-10	10	10	8	22	28	12	7	6	M4	29	£P.O.A
FCTA10-12	10	12	8	25	32	13	8	7	M5	45	£21.18
FCTA12-12	12	12	10	25	32	13	8	7	M5	42	£21.18
FCTA10-15	10	15	8	30	40	17	10	9	M5	83	£23.84
FCTA12-15	12	15	10	30	40	17	10	9	M5	80	£23.84
FCTA15-15	15	15	12	30	40	17	10	9	M5	75	£23.84
FCTA12-20	12	20	10	38	50	19	13	10	M5	167	£28.79
FCTA15-20	15	20	12	38	50	19	13	10	M5	161	£28.79
FCTA20-20	20	20	16	38	50	19	13	10	M5	147	£30.56
Stainless											
FCTS8-10	8	10	-	22	28	12	7	6	M4	92	£26.95
FCTS10-10	10	10	8	22	28	12	7	6	M4	87	£26.95
FCTS10-12	10	12	8	25	32	13	8	7	M5	133	£29.73
FCTS12-12	12	12	10	25	32	13	8	7	M5	126	£29.73
FCTS10-15	10	15	8	30	40	17	10	9	M5	245	£36.52
FCTS12-15	12	15	10	30	40	17	10	9	M5	237	£36.52
FCTS15-15	15	15	12	30	40	17	10	9	M5	222	£36.52
FCTS12-20	12	20	10	38	50	19	13	10	M5	495	£50.06
FCTS15-20	15	20	12	38	50	19	13	10	M5	476	£50.06
FCTS20-20	20	20	16	38	50	19	13	10	M5	434	£50.06

Material

Body (FCTA): Aluminium (A6063), barrel polishing
Body (FCTS): Stainless Steel (SUS304), barrel polishing
Screw: Stainless Steel (SUS304)

Features

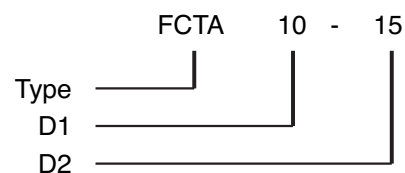
- Suitable for T-cross connecting two shafts.
- Low-cost.
- Space-saving.
- Lightweight (Aluminium only).
- Corrosion resistant (Stainless Steel only)
- Supplied with hexagon socket head screws

Options

Shafts can be made to order to suit these shaft holders.

Ordering Information

e.g.



+44 (0)1246 455500
+44 (0)1246 455522

ondrives

sales@ondrives.com
www.ondrives.com

Product information updated 1st April 2011 and subject to change. Please contact Sales for the latest prices and availability.