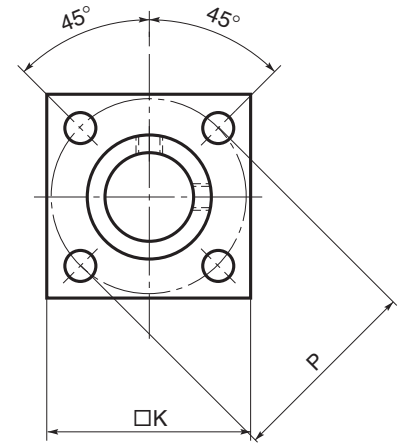
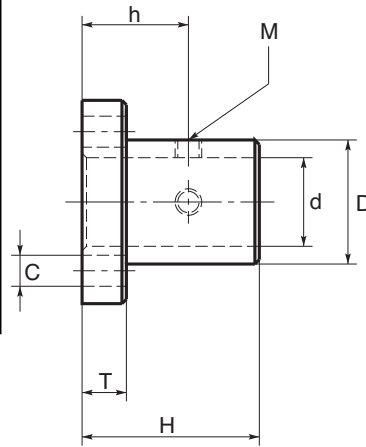


CSH-S
CSHS-S

COUPLINGS

Square Shaft Holder - For Round Shafts

Steel & Stainless Steel



Discounts: 6+ -5% 20+ -10% 30+ -15% 50+ -20% 100+ -30%

Part Number	d H7	D	K	H	T	P	C	h	M	Mass (g)	Price Each 1 - 5
Steel											
CSH3-S	3	8	16	10	3.0	15	3.5	7	M3	7	£22.68
CSH4-S	4	9	19	10	3.0	17	3.5	7	M3	10	£24.31
CSH5-S	5	10	20	12	3.5	18	3.5	7	M3	13	£26.20
CSH6-S	6	12	22	15	3.5	20	3.5	7	M3	19	£27.48
CSH8-S	8	12	22	16	5.0	20	3.5	10	M3	21	£29.38
CSH10-S	10	14	23	20	5.0	22	3.5	12	M3	25	£31.95
CSH12-S	12	16	28	24	6.0	26	4.5	15	M4	41	£34.54
CSH13-S	13	18	30	24	6.0	28	4.5	15	M4	50	£39.04
CSH16-S	16	22	33	32	6.0	32	4.5	19	M4	75	£42.95
CSH20-S	20	28	39	32	8.0	39	5.5	20	M5	126	£46.47
CSH25-S	25	33	44	38	8.0	44	5.5	23	M5	170	£49.64
CSH30-S	30	38	52	38	10.0	52	6.6	24	M6	239	£58.74
Stainless											
CSHS3-S	3	8	16	10	3.0	15	3.5	7	M3	7	£26.92
CSHS4-S	4	9	19	10	3.0	17	3.5	7	M3	10	£28.04
CSHS5-S	5	10	20	12	3.5	18	3.5	7	M3	13	£29.54
CSHS6-S	6	12	22	15	3.5	20	3.5	7	M3	19	£36.80
CSHS8-S	8	12	22	16	5.0	20	3.5	10	M3	21	£44.64
CSHS10-S	10	14	23	20	5.0	22	3.5	12	M3	25	£44.64
CSHS12-S	12	16	28	24	6.0	26	4.5	15	M4	41	£44.78
CSHS13-S	13	18	30	24	6.0	28	4.5	15	M4	50	£45.19
CSHS16-S	16	22	33	32	6.0	32	4.5	19	M4	75	£55.57
CSHS20-S	20	28	39	32	8.0	39	5.5	20	M5	126	£73.43
CSHS25-S	25	33	44	38	8.0	44	5.5	23	M5	170	£90.62
CSHS30-S	30	38	52	38	10.0	52	6.6	24	M6	239	£107.17

Material

CSH-S: Steel (S45C), electroless nickel plating
CSHS-S: Stainless Steel (SUS304)

Options

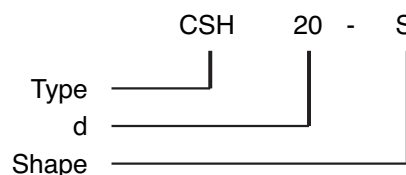
Specials are available on request.
Other materials, dimensions and surface treatments can be supplied. Please contact sales for further details.
Shafts can be made to order to suit these shaft holders.

Features

- Suitable for fixing the shaft.
- Supplied with hexagon socket head screws

Ordering Information

e.g.



+44 (0)1246 455500
+44 (0)1246 455522

ondrives

sales@ondrives.com
www.ondrives.com

Product information updated 1st April 2011 and subject to change. Please contact Sales for the latest prices and availability.